

# Spare part's book **2017**

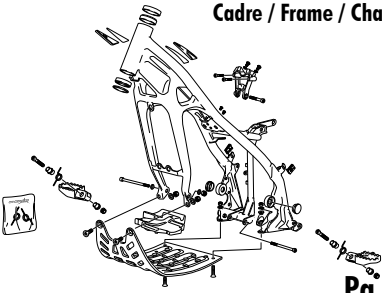
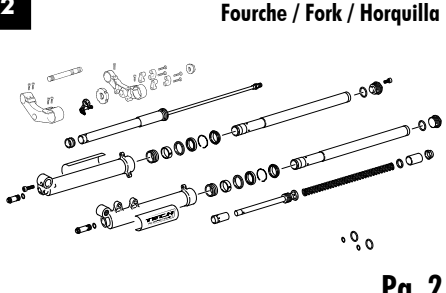
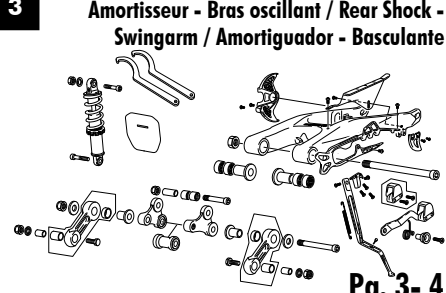
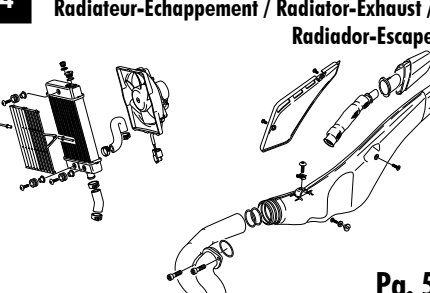
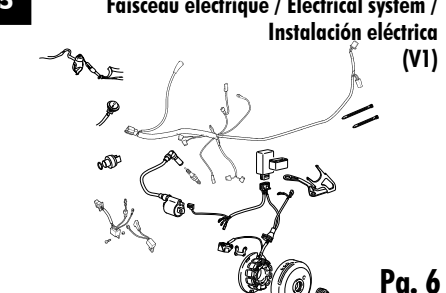
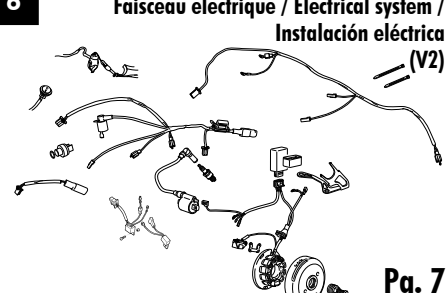
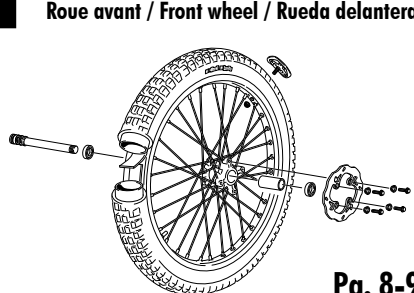

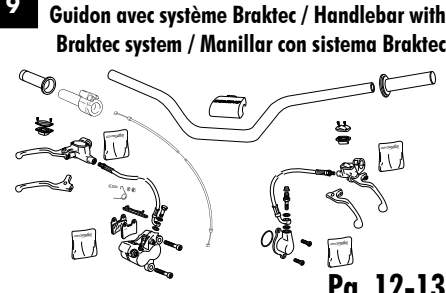
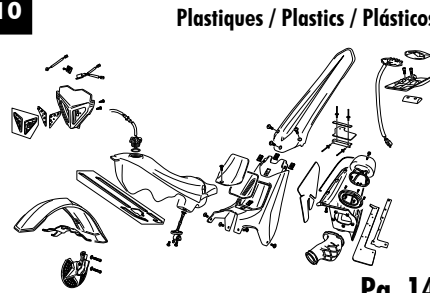
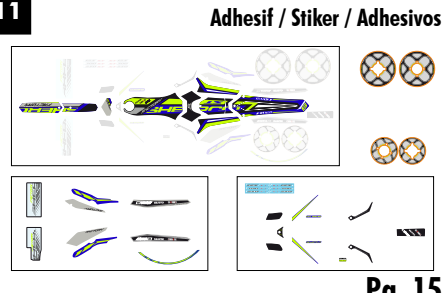
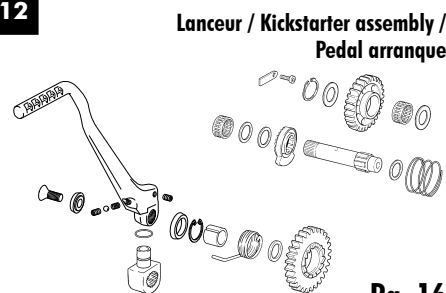
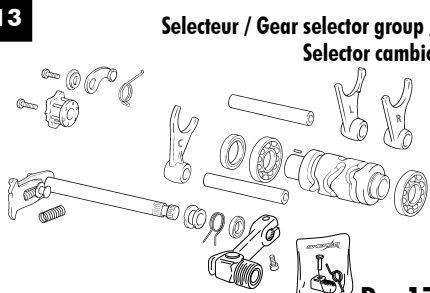
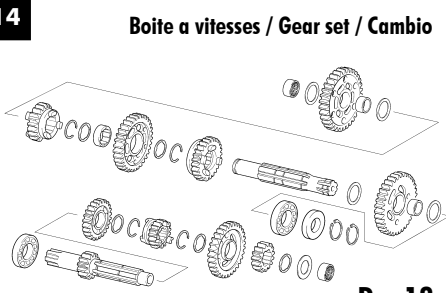
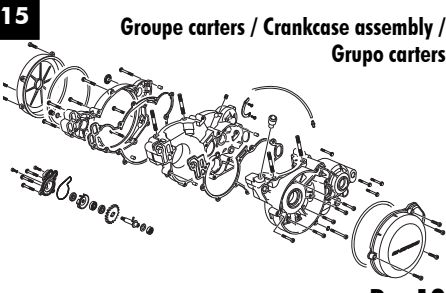
## 2T Trial

1.25 2.5 3.0

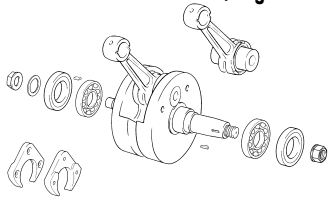


**SHERCO**  
Motorcycles

## Index / Index / Índice

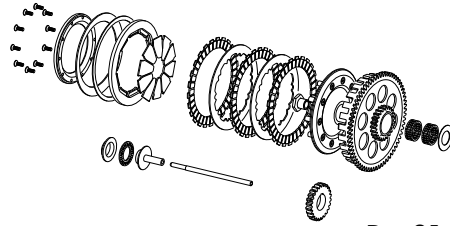
<p><b>1</b> Cadre / Frame / Chasis</p>  <p>Pg. 1</p>	<p><b>2</b> Fourche / Fork / Horquilla</p>  <p>Pg. 2</p>	<p><b>3</b> Amortisseur - Bras oscillant / Rear Shock - Swingarm / Amortiguador - Basculante</p>  <p>Pg. 3-4</p>
<p><b>4</b> Radiateur-Échappement / Radiator-Exhaust / Radiador-Escape</p>  <p>Pg. 5</p>	<p><b>5</b> Faisceau électrique / Electrical system / Instalación eléctrica (V1)</p>  <p>Pg. 6</p>	<p><b>6</b> Faisceau électrique / Electrical system / Instalación eléctrica (V2)</p>  <p>Pg. 7</p>
<p><b>7</b> Roue avant / Front wheel / Rueda delantera</p>  <p>Pg. 8-9</p>	<p><b>8</b> Roue arrière avec système Braktec / Rear wheel with Braktec system / Rueda trasera con sistema Braktec</p>  <p>Pg. 10-11</p>	<p><b>9</b> Guidon avec système Braktec / Handlebar with Braktec system / Manillar con sistema Braktec</p>  <p>Pg. 12-13</p>
<p><b>10</b> Plastiques / Plastics / Plásticos</p>  <p>Pg. 14</p>	<p><b>11</b> Adhésif / Stiker / Adhesivos</p>  <p>Pg. 15</p>	<p><b>12</b> Lanceur / Kickstarter assembly / Pedal arranque</p>  <p>Pg. 16</p>
<p><b>13</b> Selecteur / Gear selector group / Selector cambio</p>  <p>Pg. 17</p>	<p><b>14</b> Boite à vitesses / Gear set / Cambio</p>  <p>Pg. 18</p>	<p><b>15</b> Groupe carters / Crankcase assembly / Grupo carters</p>  <p>Pg. 19</p>

**16** Villebrequin assemble / Crankshaft assembly / Cigüeñal biela



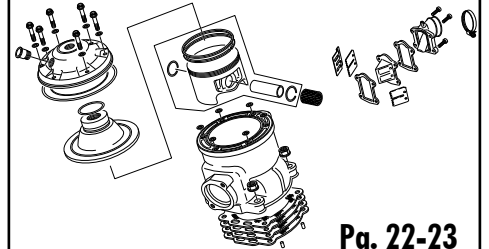
**Pg. 20**

**17** Embrayage / Clutch / Embrague



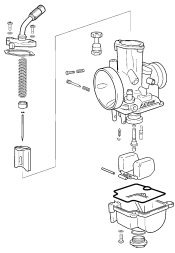
**Pg. 21**

**18** Cylindre / Cylinder / Cilindro



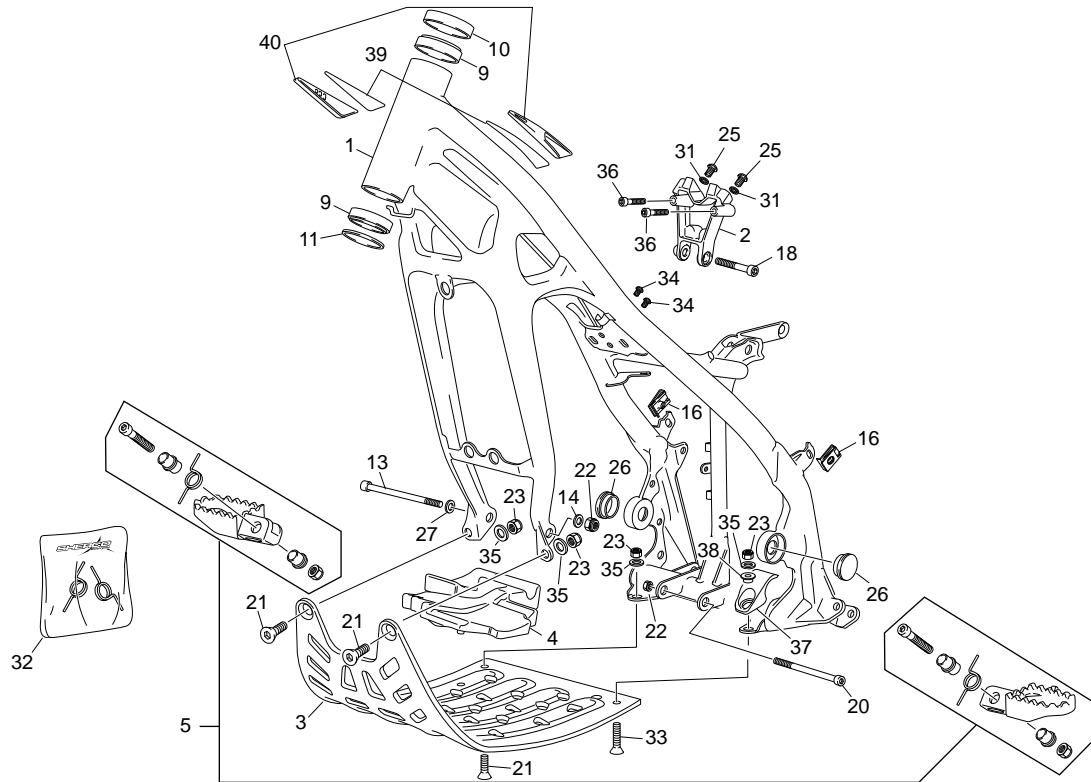
**Pg. 22-23**

**19** Carburateur / Carburetor / Carburador KEIHIN



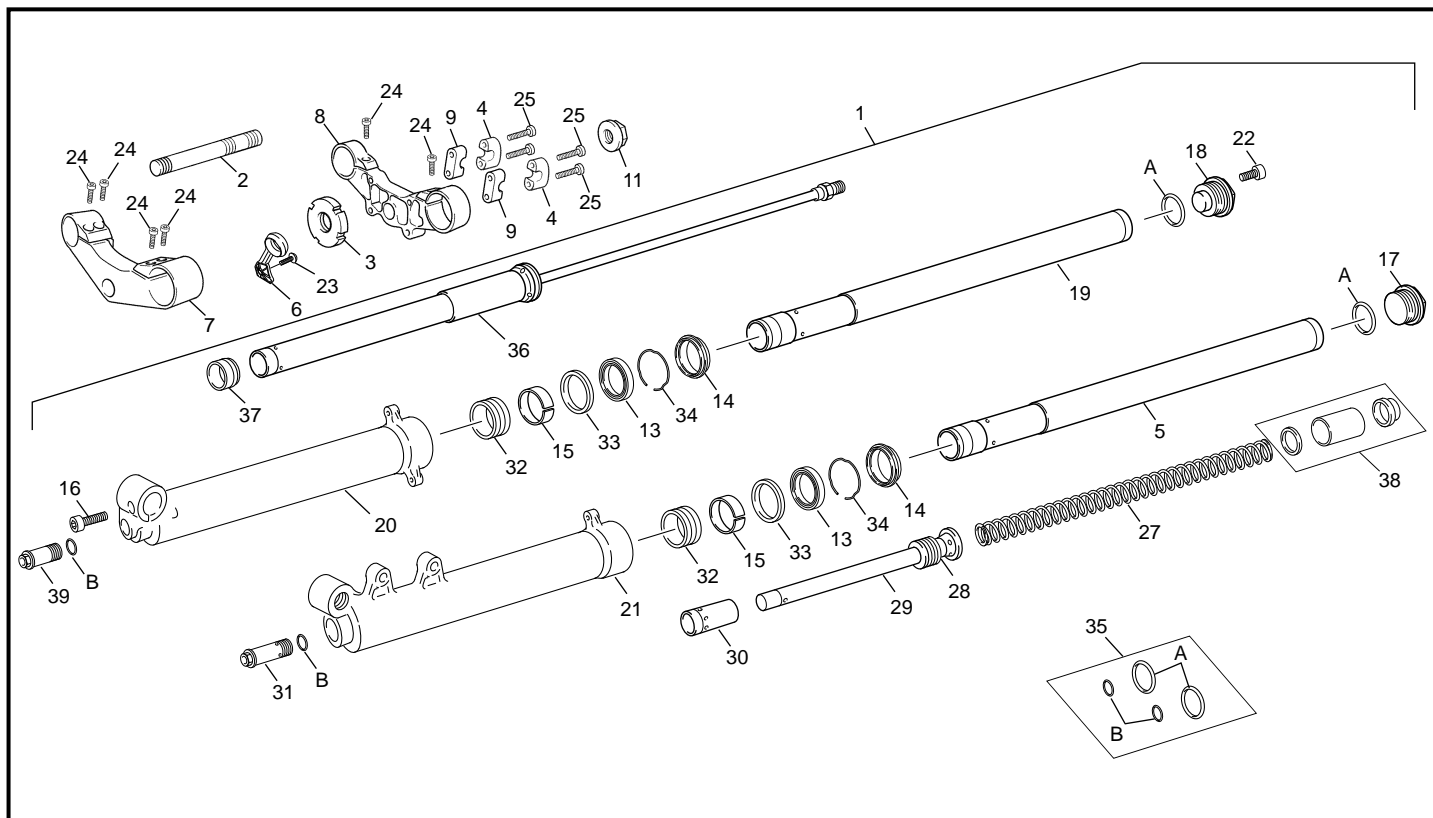
**Pg. 5**

## Cadre / Frame / Chasis



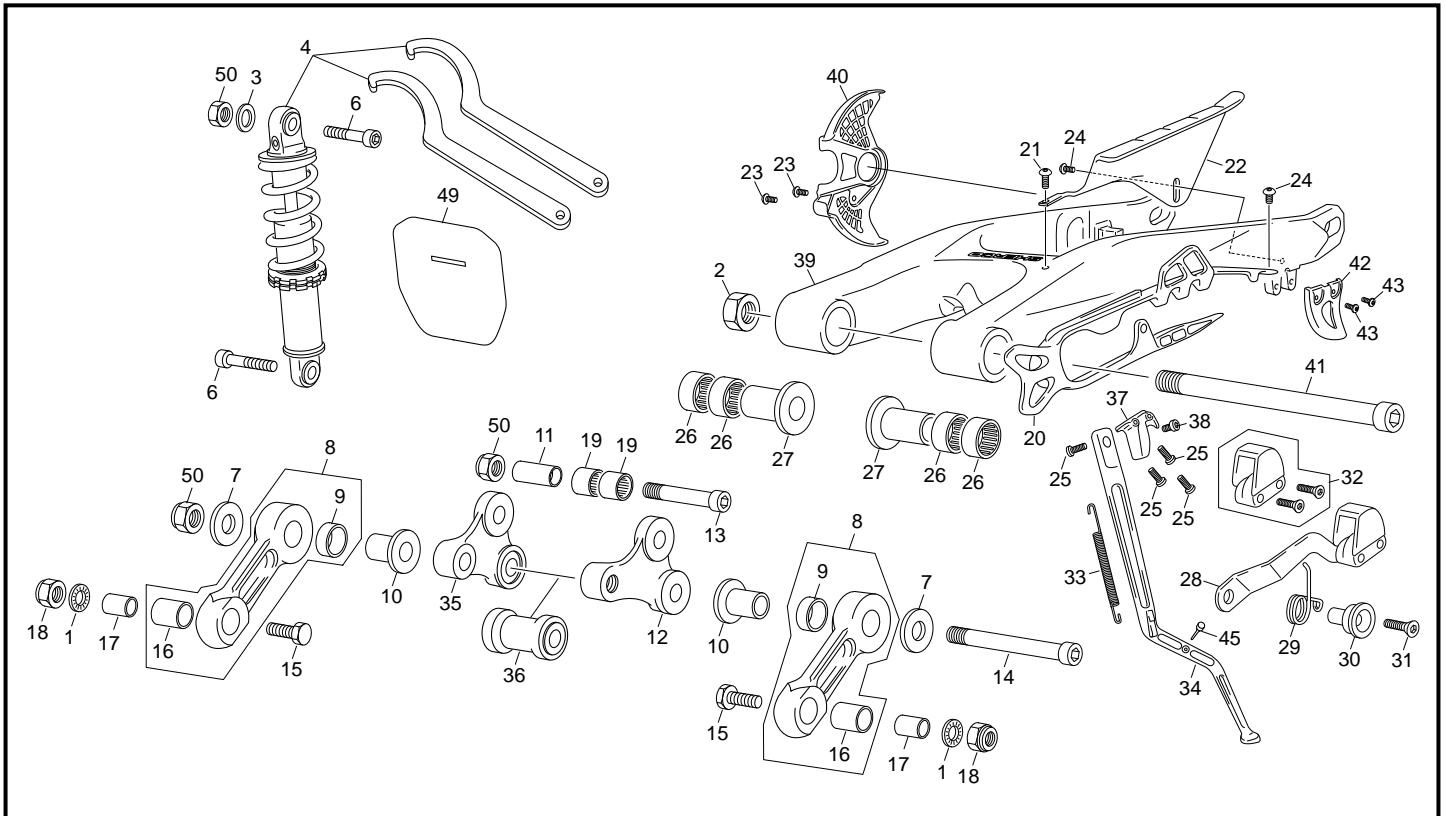
POS.	1.25	2.5	3.0	FRANÇAIS	ENGLISH	ESPAÑOL
1	5943	5943	5943	CADRE TRIAL SHERCO TR 2016	FRAME TRIAL SHERCO TR 2016	CHASIS TRIAL SHERCO TR 2016
2	4549	4549	4549	PATE FIXATION CYLINDRE 2.5/2.9 NOIRE	CLINDER SUPPORT 2.5/2.9 BLACK	TIRANTE CILINDRO 2.5/2.9 NEGRO
3	6427	6427	6427	SABOT F 2016	BASH PLATE F 2016	PROTECTOR CARTERS MOTOR FACTORY 2016
4	3582	3582	3582	CAOUTCHOUC MOTEUR 2012	BASH PLATE RUBBER 2012	CAUCHO PLACA MOTOR 2012
5	6065	6065	6065	GROUPE REPOSE PIEDS S3 TR TITANIUM	SET FOOTPEG S3 TR TITANIUM	JUEGO ESTRIBERAS S3 TR TITANIO
9	C009	C009	C009	ROULEMENT COLONNE DIRECTION R32004	STEERING BEARING R32004	RODAMIENTO DIRECCION R32004
10	C010	C010	C010	BAGUE DE PROTECTION HAUTE PLASTIC	PLASTIC DUST COVER	GUARDA POLVO SUPERIOR PLASTIC
11	C011	C011	C011	BAGUE DE PROTECTION BASSE	FORK ALUMINIUM WHASHER	ARANDELA GUARDA POLVO INF
13	C172	C172	C172	AXE 10 X 120 12.9 ZN NI TR - TL 180°	PIN 10 X 120 12.9 ZN NI TR - TL 180°	EJE 10 X 120 12.9 ZN NI TR - TL 180°
14	C013	C013	C013	PATIN CHAINE CADRE	SWINGARM CHAIN PROTECTOR	PATIN CADENA CHASIS
16	M308	M308	M308	ECROU CLIP M6 0500500400	NUT CLIP M6	TUERCA CLIP M6
18	M263	M263	M263	VIS CHC 8 X 40 0084 ZN NI TR - TL 180°	SCREW CHC 8 X 40 ZN NI TR - TL 180°	TORNILLO 8 X 40 ALLEN ZN NI TR - TL 180°
20	1323	1323	1323	VIS CHC M10 X 85 DIN 912 12.9 ZN NI TR	SCREW CHC M10 X 85 DIN 912 12.9 ZN NI TR	TORNILLO CHC M10 X 85 DIN 912 12.9 ZN NI TR
21	M301	M301	M301	VIS FHC 8 X 20 1089 ZN NI TR	SCREW FHC 8 X 20 ZN NI TR	TORNILLO AVELLANADO M 8 X 20 ZN NI TR
22	M304	M304	M304	ECROU NYLSTOP M10 0368.10	NUT NYLSTOP M10	TUERCA NYLSTOP M10
23	M305	M305	M305	ECROU NYLSTOP M8 0368.8	NUT NYLSTOP M8	TUERCA NYLSTOP M8
25	M281	M281	M281	VIS BHC 8 X 12 1093 ZN NI TR - TL 180°	SCREW BHC 8 X 12 ZN NI TR - TL 180°	TORNILLO 8 X 12 ULZ ZN NI TR - TL 180°
26	C165	C165	C165	BOUCHON AXE BRAS OSCILLANT DIAM 35	COVER SWING ARM AXLE DIAM 35	TAPON EJE BASCULANTE DIAM 35
27	3021	3021	3021	RONDELE M10 BL DIN 7980	WASHER M10 BL DIN 7980	ARANDELA M10 BL DIN 7980
31	1432	1432	1432	RONDELLE AET 8	WASHER X AET 8	ARANDELA AET 8
32	4872	4872	4872	RESSORTS REPOSE PIEDS TRIAL JEU	FOOTPEG SPRINGS KIT	MUELLES ESTRIBERAS JUEGO
33	6658	6658	6658	VIS FHC 8 X 25 ZN NI TR	SCREW FHC 8 X 25 ZN NI TR	TORNILLO AVELLANADO M 8 X 25 ZN NI TR
34	M282	M282	M282	VIS BHC 6 X 10 1093 ZN NI TR	SCREW BHC 6 X 10 ZN NI TR	TORNILLO 6 X 10 BHC ZN NI TR
35	M316	M316	M316	RONDELLE X 8 1405 08 ZN NI TR	WASHER X 8 ZN NI TR	ARANDELA 8 DIN 125 A ZN NI TR
36	M251	M251	M251	VIS CHC 6 X 16 0084 ZN NI TR	SCREW CHC 6 X 16 ZN NI TR	TORNILLO 6 X 16 DIN 912 ZN NI TR
37	6655	6655	6655	PATIN PROTECTEUR CADRE	FRAME PROTECTOR SLIDER	PATIN PROTECTOR CHASIS
38	6654	6654	6654	ENTRETOISE PROTECTEUR CADRE	FRAME PROTECTOR BRUSH	CASQUILLO PROTECTOR CHASIS
39	6657	6657	6657	ADHESIF BUTEE PROTECTION CADRE JEU	STICKER FRAME PROTECTOR BOLCK KIT	ADHESIVO JUEGO TOPE DIRECCION
40	6656	6656	6656	BUTEE PROTECTION CADRE JEU	FRAME PROTECTOR BOLCK KIT	JUEGO TOPE DIRECCION

### Fourche / Fork / Horquilla



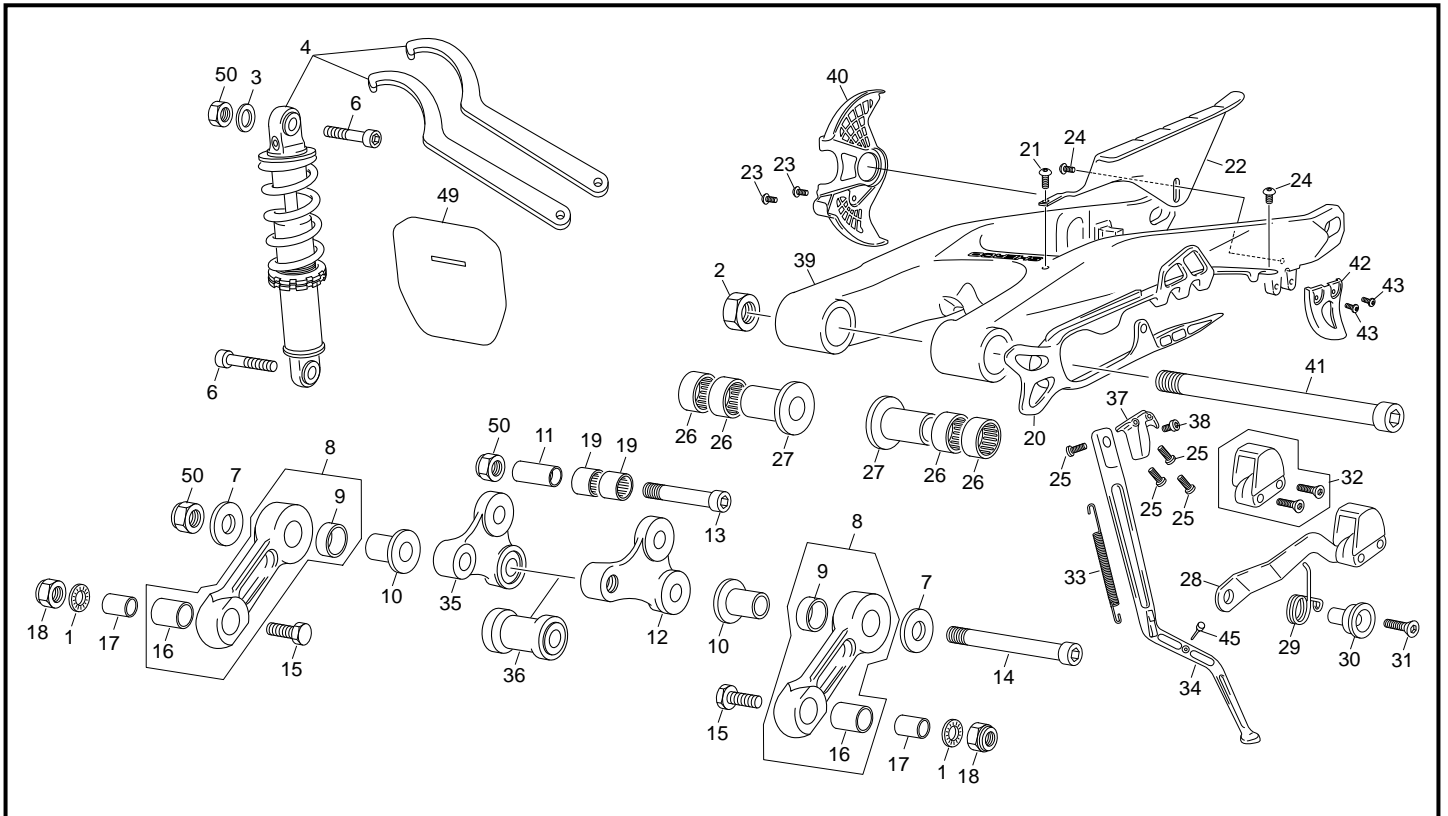
POS.	1.25	2.5	3.0	FRANÇAIS	ENGLISH	ESPAÑOL
1	6388	6388	6388	GROUPE JAMBES TS CPL ALUMINIUM OLIVE TRIAL	GROUP I SWEEP TS CPL ALUMINIUM OLIVE TRIAL	GRUPO BARRAS TS CPL ALUMINIO OLIVA TRIAL
2	1166	1166	1166	AXE ALUMINIUM COLONE	AXIS ALUMINUM DIRECTION PIPE	EJE ALUMINIO PIPA
3	1170	1170	1170	VOIR 5386 RONDELLE ECROU ALU AXE DIRECTION	SEE 5386 TOP TRIPLE CLAMP ALUMINIUM NUT	VER 5386 TUERCA FIJACION EJE DIRECCION ALU
4	6416	6416	6416	BRIDE GUIDON SUPERIEURE NOIR TS 39 F	BRIDE SUP HANDLE BAR BLACK TS 39 F	BRIDA SUPERIOR MANILLAR NEGRA TS 39 F
5	4256	4256	4256	GROUPE TUBE FOURCHE GAUCHE TS	GROUP STANGHON TUBE LEFT TS	GRUPO TUBO HORQUILLA IZQUIERDA TS
6	2359	2359	2359	GUIDE DURITE FREIN AV 2010	GUIDE FRONT BRAKE HOSE 2010	GUIA LATIGUILLO FRENO DEL 2010
7	6419	6419	6419	T FOURCHE INF NOIR TS 39 F	BOTTOM PLAT FORK BLACK TS 39 F	PLATINA INF. HORQUILLA NEGRO TS 39 F
8	6418	6418	6418	T FOURCHE SUP NOIR TS 39 F	UPPER PLAT FORK BLACK TS 39 F	PLATINA SUP. HORQUILLA NEGRO TS 39 F
9	6417	6417	6417	BRIDE GUIDON INFERIEURE NOIR TS 39 F	BRIDE INF HANDLEBAR BLACK TS 39 F	BRIDA INFERIOR MANILLAR NEGRO TS 39 F
11	R108	R108	R108	ECROU ALU AXE FOURCHE 2000 949125051	ALUMINIUM NUT FOR FRONT FORK AXLE	TUERCA EJE 2000
13	3662	3662	3662	JOINT SPIE DE FOURCHE TS	FORK OIL SEAL TS	RETÉN SUSPENSIÓN DEL TS
14	3661	3661	3661	PARE POUSSIERE FOURCHE TS	O-RING FORK TS	GUARDA POLVO HORQUILLA TS
15	3663	3663	3663	DU TUBE FOURCHE TS	DU FRICTION TUB TS	TUBO TS
16	3673	3673	3673	VIS THC M8X18 DIN 7984	SCREW M8X18 DIN 7984	TORNILLO M8X18 DIN 7984
17	3664	3664	3664	BOUCHON FOURCHE GAUCHE OR TS	LEFT FORK PLUG GOLD TR TS	TAPÓN HORQUILLA IZQ ORO TR TS
18	3665	3665	3665	BOUCHON FOURCHE DROITE OR TR TS	PLUG RIGHT FORK GOLD TR TS	TAPÓN DERECHO HORQUILLA ORO TR TS
19	3668	3668	3668	GROUPE TUBE FOURCHE DROITE TS	GROUP STANGHON TUBE RIGHT TS	GRUPO TUBO HORQUILLA DERECHO TS
20	3667	3667	3667	JAMBE DROITE TS	RIGHT SIDE FORK TS	BOTELLA DER TS
21	3666	3666	3666	JAMBE GAUCHE TS	LEFT SIDE FORK TS	BOTELLA IZQ TS
22	3674	3674	3674	VIS BLOCAGE POMPANTE HYDRAULIQUE	SCREW STOPER HYDRAULIC POMP	TORNILLO BLOCAGE BOMBA HIDRAULICA
23	M258	M258	M258	VIS BHC 5 X 16 1093 ZN NI TR	SCREW BHC 5 X 16 ZN NI TR	TORNILLO 5 X 16 ULS ZN NI TR
24	6575	6575	6575	VIS CHC 8 X 20 NOIR	SCREW CHC 8 X 20 BLACK	TORNILLO 8 X 20 ALLEN NEGRO
25	1237	1237	1237	VIS CHC 8 X 55 0084 ZN NI TR	SCREW CHC 8 X 55 ZN NI TR	TORNILLO 8 X 55 ALLEN ZN NI TR
27	4411	4411	4411	RESSORT DE FOURCHE TECH	FORK SPRING TECH	MUELLE HORQUILLA TECH
28	4412	4412	4412	SUPPORT ANEAU BUTEE RESSORT	SUPPORT RING FOR SPRING LIMIT	SOPORTE ANILLO TOPE MUELLE
29	4413	4413	4413	GROUPE POMPANTE TS	GROUP MECHANICAL POUMPING TS	GRUPO POMPANTE TS
30	4417	4417	4417	CONE BUTEE GAUCHE	CONE LIMIT LEFT	CONO TOPE IZQUIERDO
31	4414	4414	4414	GROUPE REGULATION AIGUILLE	NEEDLE REGULATION GROUP	GRUPO REGULACIÓN AGUJA
32	4422	4422	4422	DU 38X40X20 TS	BUSH DU 38X40X20 TS	DU 38X40X20 TS
33	4421	4421	4421	RONDELE TENUE ANEAU TS	RING STOP BUSHING OIL SEAL TS	ARANDELA RETENCIÓN ANILLO TS
34	4420	4420	4420	ANEAU JOINT SPIE TS	RING STOPPER OIL SEAL TS	ANILLO RETENCIÓN RETÉN TS
35	4416	4416	4416	JEU TORIQUES	GROUP RING SEALS	JUEGO JUNTAS
36	4418	4418	4418	GROUPE CARTOUCHE	GROUP CARTRIDGE	GRUPO CARTUCHO
37	4419	4419	4419	CONE BUTEE DROITE	CONE LIMIT RIGH	CONO TOPE DERECHO
38	4415	4415	4415	GROUPE ENTRETOISES TECH	SEPARATED TECH GROUP	GRUPO SEPARADORES TECH
39	3674	3674	3674	VIS BLOCAGE POMPANTE HYDRAULIQUE	SCREW STOPER HYDRAULIC POMP	TORNILLO BLOCAGE BOMBA HIDRÁULICA

### Amortisseur - Bras oscillant / Rear Shock - Swingarm / Amortiguador - Basculante



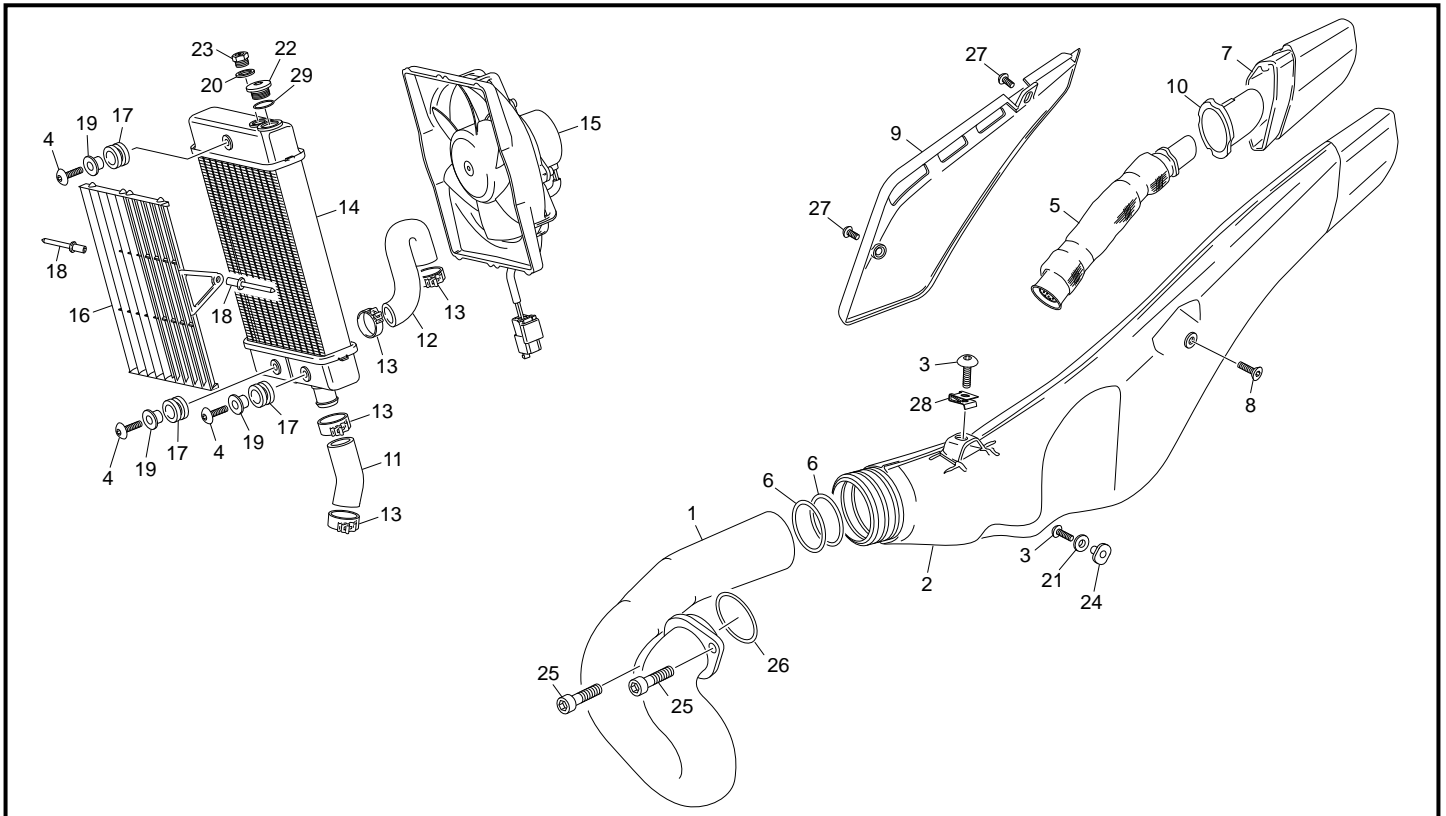
POS.	1.25	2.5	3.0	FRANÇAIS	ENGLISH	ESPAÑOL
1	1432	1432	1432	RONDELLE AET 8	WASHER X AET 8	ARANDELA AET 8
2	3144	3144	3144	ECROU 14 X 125 H 7.5 TR11	HEX NUT M14 X 125 H 7.5 TR11	TUERCA M14 X 125 H 7.5 TR11
3	M315	M315	M315	RONDELLE X 10 1405 010 ZN NI TR	WASHER X 10 ZN NI TR	ARANDELA X 10 DIN 125 A ZN NI TR
4	5374	5374	5374	AMORTISSEUR TRIAL OHLINS	REAR SHORK TRIAL OHLINS	AMOTIGUADOR TRIAL OHLINS
6	C173	C173	C173	AXE M10 X 46 ZN NI TR - TL 180°	PIN M10 X 46 ZN NI TR - TL 180°	EJE M10 X 46 ZN NI TR - TL 180°
7	M320	M320	M320	RONDELLE 10X30X2.5 0416 ZN NI TR	WASHER 10X30 X 2.5 ZN NI TR	ARANDELLA 10X30 X2.5 DIN 9021 ZN NI TR
8	3447	3447	3447	BIELETTE TIRANT SIMPLE TRIAL 2012	REAR SUSPENSION LINK TRIAL 2012	BIELETA SUSPENSIÓN TRIAL 2012
9	2945	2945	2945	DOUILLE FRICTION 16X18X15	BEARING FRICTION 16X18X15	COJINETE FRICCIÓN 16X18X15
10	C171	C171	C171	ENTRETOISE TIRANT EPAULEE	LINK SPACER	CASQUILLO BIELETA CON ARANDELA
11	C152	C152	C152	ENTRETOISE SUSPENSION	SPACER SUSPENSION	CASQUILLO SUSPENSIÓN
12	3445	3445	3445	BIELETTE DELTA SEMI G TRIAL 2012	REAR SUSPENSION HALF L DELTA LINK TRIAL 2012	TRAPECIO SUSPENSIÓN SEMI I TRIAL 2012
13	C174	C174	C174	AXE 10 X 72 12.9 ZN NI TR - TL 180°	PIN 10 X 72 12.9 ZN NI TR - TL 180°	EJE 10 X 72 12.9 ZN NI TR - TL 180°
14	C172	C172	C172	AXE 10 X 120 12.9 ZN NI TR - TL 180°	PIN 10 X 120 12.9 ZN NI TR - TL 180°	EJE 10 X 120 12.9 ZN NI TR - TL 180°
15	C175	C175	C175	VIS HEXA TETE BASSE 8.8 ZN NI TR	SPECIAL HEAD SCREW HEX 8.8 ZN NI TR	TORNILLO HEX C/REBAJADA 8.8 ZN NI TR
16	2946	2946	2946	DOUILLE FRICTION 14X16X15	BEARING FRICTION 14X16X15	COJINETE FRICCIÓN 14X16X15
17	C170	C170	C170	ENTRETOISE TIRANT	LINK SPACER	CASQUILLO BIELETA
18	M305	M305	M305	ECROU NYLSTOP M8 0368.8	NUT NYLSTOP M8	TUERCA NYLSTOP M8
19	C167	C167	C167	DOILLER AIGUILLE BRAS/ SUSP HK 16X20X2RS	BEARING HK 16202RS	CASQUILLO AGUJAS BASCU/SUSP HK16202RS
20	1207	1207	1207	PATIN DE CHAINE 07 TRIAL	CHAIN GUIDE PLATE 07 TRIAL	PATÍN CADENA 07 TRIAL
21	M258	M258	M258	VIS BHC 5 X 16 1093 ZN NI TR	SCREW BHC 5 X 16 ZN NI TR	TORNILLO 5 X 16 ULS ZN NI TR
22	1208	1208	1208	CARTER DE CHAINE 07	CHAIN PROTECTOR 07	CUBRE CADENAS 07
23	M282	M282	M282	VIS BHC 6 X 10 1093 ZN NI TR	SCREW BHC 6 X 10 ZN NI TR	TORNILLO 6 X 10 BHC ZN NI TR
24	M278	M278	M278	VIS BHC 5 X 10 1093 ZN NI TR	SCREW BHC 5X10 ZN NI TR	TORNILLO 5 X 10 ULS ZN NI TR
25	M281	M281	M281	VIS BHC 8 X 12 1093 ZN NI TR - TL 180°	SCREW BHC 8 X 12 ZN NI TR - TL 180°	TORNILLO 8 X 12 ULS ZN NI TR - TL 180°
26	C151	C151	C151	DOUILLE AIGUILLE BRAS HK 20X20X2 RS	BEARING HK 20X20X2RS	CASQUILLO AGUJAS BASCULANTE HK20X20X2RS
27	C153	C153	C153	ENTRETOISE ARTICULATION BRAS	SPACER SWING ARM	CASQUILLO EJE BASCULANTE
28	6441	6441	6441	TENDEUR DE CHAINE ALUMINIUM GRIS F	CHAIN TENSIONER ALU GREY F	ENSOR CADENA ALUMINIO GRIS F
29	5612	5612	5612	RESSORT TENDEUR DE CHAINE F	SPRING CHAIN TENSIONER F	MUELLE TENSOR CADENA F
30	5613	5613	5613	ENTRETOISE TENDEUR DE CHAINE F	SPECER CHAIN ADJUST F	CASQUILLO TENSOR CADENA F
31	....	M300	M300	VIS FHC 8 X 35 1089 ZN NI TR - TL 180°	SCREW FHC 8 X 35 ZN NI TR - TL 180°	TORNILLO AVELLANADO M8X35 ZN NI TR - TL 180°
32	5926	5926	5926	TENDEUR DE CHAINE CAUTCHOUC BLEU	CHAIN TENSIONER RUBBER BLUE	TENSOR CADENA GOMA AZUL
33	C161	C161	C161	RESSORT DE BEQUILLE	SIDE STAND SPRING	MUELLE CABALLETE
34	4559	4559	4559	BEQUILLE SEULE ALU NOIR	LATERAL STAND BLACK	CABALLETE ALUMINIO NEGRO
35	3444	3444	3444	BIELETTE DELTA SEMI D TRIAL 2012	REAR SUSPENSION HALF R DELTA LINK TRIAL 2012	TRAPECIO SUSPENSIÓN SEMI D TRIAL 2012
36	3446	3446	3446	ENTRETOISE BIELETTE DELTA TRIAL 2012	DELTA LINK SPACER TRIAL 2012	CASQUILLO TRAPECIO SUSPENSIÓN TRIAL 2012

### Amortisseur - Bras oscillant / Rear Shock - Swingarm / Amortiguador - Basculante



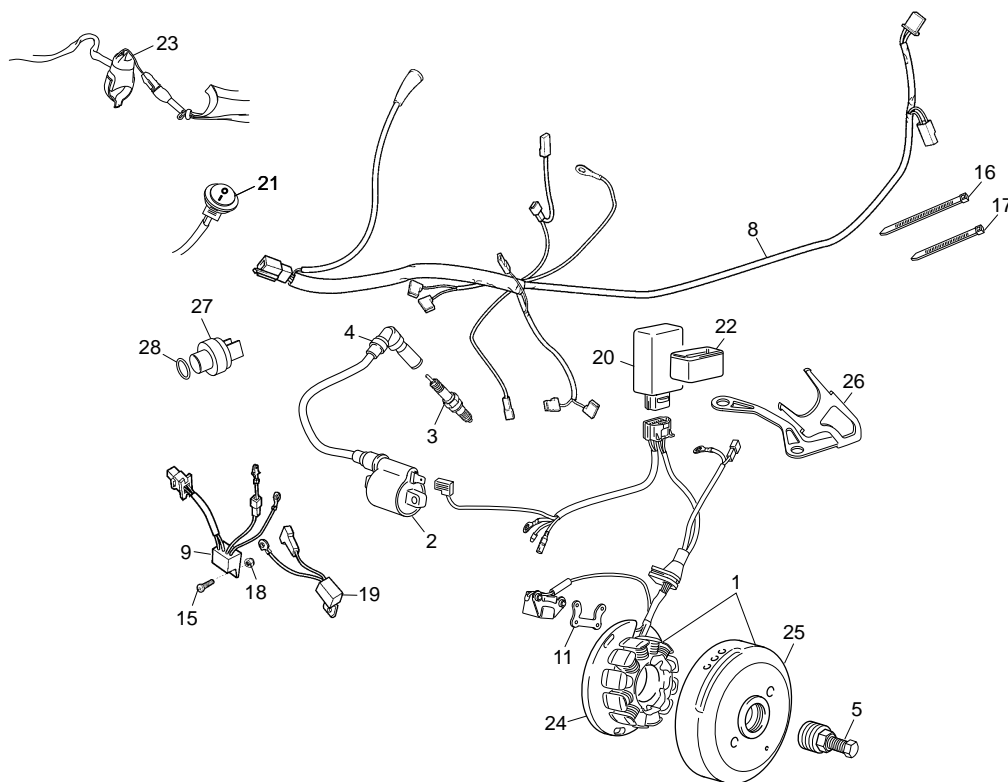
POS.	1.25	2.5	3.0	FRANÇAIS	ENGLISH	ESPAÑOL
37	4542	4542	4542	SUPPORT DE BEQUILLE SANS BUTEE NOIR	STAND HOLDER WITHOUT RETAIN BLACK	SOPORTE CABALLETE SIN TOPE NEGRO
38	C166	C166	C166	VIS SPECIALE BEQUILLE ZN NI TR	SIDE STAND SPECIAL BOLT ZN NI TR	TORNILLO ESPECIAL CABALLETE ZN NI TR
39	3598	3598	3598	BRAS OSCILLANT 12	SWINGARM 12	BASCULANTE 12
40	2024	2024	2024	PROTECTEUR DISC ARIERE 09 NOIR TR	PROTECTOR BRAKE DISC BACK 09 BLACK	PROTECTOR DISCO TRASERO NEGRO 09
41	5190	5190	5190	AXE BRAS OSCILLANT	ALUMINIUM SWINGARM AXLE FINE	EJE BASCULANTE ALUMINIO FINO
42	2026	2026	2026	PROTECTEUR COURRONE NOIR TR	PROTECTEUR SPROKET BLACK TR	PROTECTOR CORONA NEGRO TR
43	M278	M278	M278	VIS BHC 5 X10 1093 ZN NI TR	SCREW BHC 5X10 ZN NI TR	TORNILLO 5 X 10 ULS ZN NI TR
45	1663	1663	1663	CAUTCHOUC DE MAINTIEN DE BEQUILLE TRIAL 08	STAND SIDE RUBER TRIAL 08	GOMA CABALETE 08
49	3425	3425	3425	BAVETTE AMORTISSEUR SSDT	SHOCK ABSORBER PROTECTOR SSDT	PROTECTOR AMORTIGUADOR SSDT
50	M304	M304	M304	ECROU NYLSTOP M10 0368.10	NUT NYLSTOP M10	TUERCA NYLSTOP M10

### Radiateur-Échappement / Radiator-Exhaust / Radiador-Escape



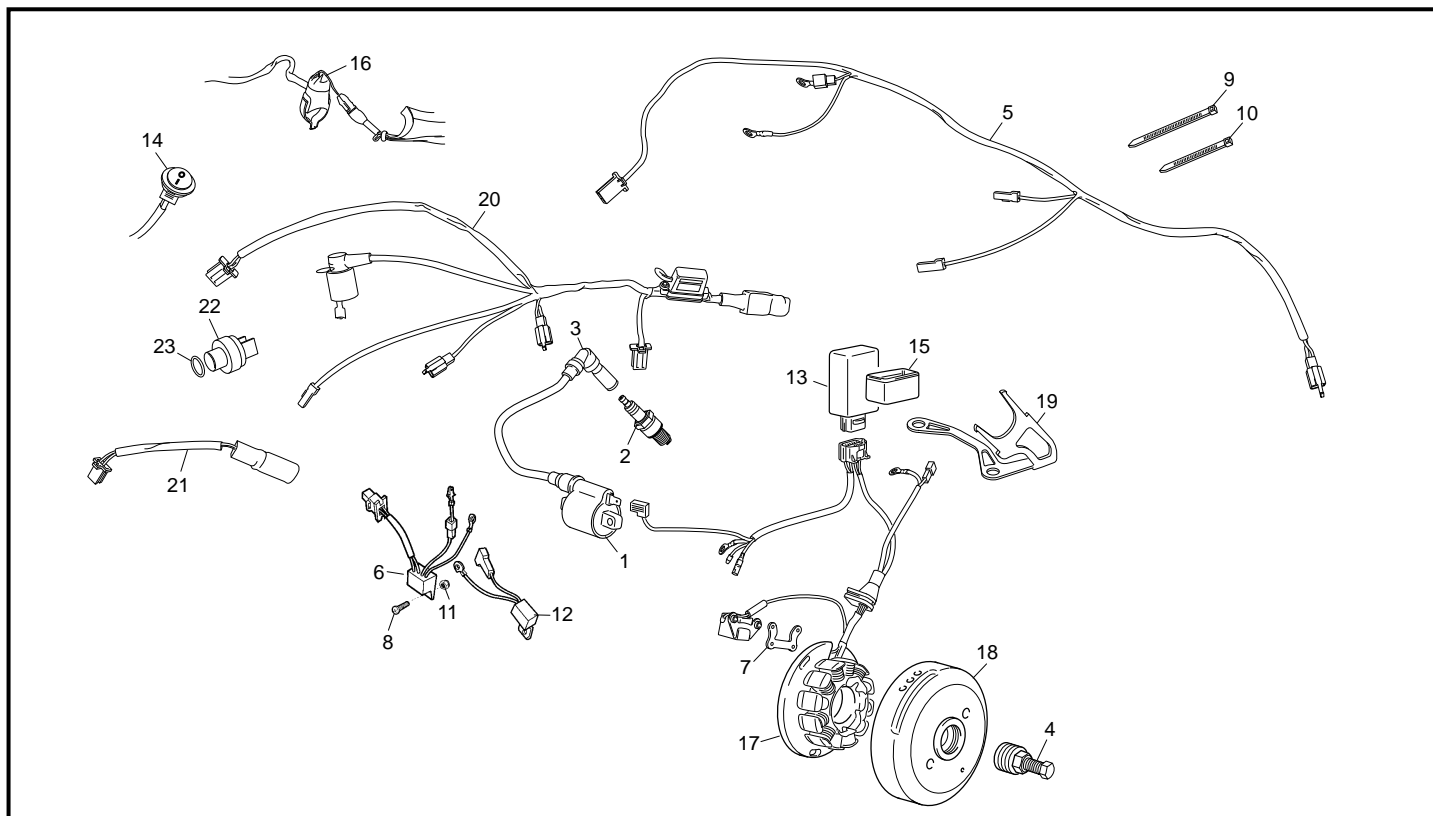
POS.	1.25	2.5	3.0	FRANÇAIS	ENGLISH	ESPAÑOL
1	6440	6440	6440	TUBE ECHAPPEMENT TR 40	EXHAUST PIPE TR 40	CURVA DE ESCAPE TR 40
2	5510	5510	5510	POT CENTRAL ALU SC/SH	EXH CENTRAL ALU SC/SH	SILENCIOSO CENTRAL ALU SC/SH
3	M268	M268	M268	VIS BHC 6 X 16 CARROSSERIE ZN NI TR - TL 180°	SCREW BHC 6 X 16 CARR. ZN NI TR - TL 180°	TORNILLO 6 X 16 ESPECIAL CARR. ZN NI TR - TL
4	M269	M269	M269	VIS BHC 6 X 20 CARROSSERIE ZN NI TR	SCREW BHC 6 X 20 CARROSSERIE ZN NI TR	TORNILLO 6 X 20 ESPECIAL CARR. ZN NI TR
5	5487	5487	5487	CANE DE RECHANGE SILENCIEUX TR SHERCO	TUBE SPARE PARTS EXHAUST TR SHERCO	CAÑA DE RECAMBIO SILENCIOSO TR SHERCO
6	4913	4913	4913	JOINT TORIQUE POT CENTRAL SILICONE 52 X 2,5	O-RING MIDDLE SILENCER SILICONE 52 X 2,5	TÓRICA SILENCIADOR CENTRAL SILIC. 52 X 2,5
7	5127	5127	5127	CONE SORTIE SILENCIEUX TR 14	CONE EXHAUST SILENCER TR 14	CONO SALIDA SILENCIADOR TR 14
8	6593	6593	6593	VIS FHC 8 X 20 1089 ZN NI TR - TL 180°	SCREW FHC 8 X 20 ZN NI TR - TL 180°	TORNILLO AVELLANADO M8X20 ZN NI TR-TL 180°
9	5949	5949	5949	GRILLE PROTECTEUR ECHAPPEMENT 2016	PROTECTOR EXHAUST COVER 2016	REJILLA PROTECTOR ESCAPE 2016
10	5577	5577	5577	GOME INTERIEUR CONE SORTIE SILENCIEUX TR 14	INTERNAL RUBBER CONE EXHAUST SILENCER TR 14	GOMA INTERIOR CONO SALIDA SILENC. TR 14
11	5475	5475	5475	DURITE CARTER RADIATEUR TR SC/SH	RUBBER TUBE CRANKSHAFT/RADIATOR TR SC/SH	MANGUITO CARTER/RADIADOR TR SC/SH
12	5474	5474	5474	DURITE CULASSE RADIATEUR TR SC/SH	RUBBER CILYNDER HEAD RADIATOR TR SC/SH	MANGUITO CULATA/RADIADOR TR SC/SH
13	C114	C114	C114	COLLIER DURITE NORMA VERT 21	COLLARD NORMA GREEN 21	ABARAZADERA MANGUITOS VERDE 21
14	3127	3127	3127	RADIATEUR 2T 2011	RADIATOR 2S 2011	RADIADOR 2T 2011
15	1523	1523	1523	VENTILATEUR COMEX 120	FAN DIAM COMEX 120	VENTILADOR COMEX 120
16	3773	3773	3773	GRILLE RADIATEUR 12	RADIATOR PROTECTOR 12	REJILLA RADIADOR 12
17	4978	4978	4978	SILENT BLOC RADIATEUR DISIMETRIQUE	SILENT-BLOC RADIATOR ASIMETRIC	SILENT-BLOC RADIADOR ASIMÉTRICO
18	3772	3772	3772	RIVET ZEBRA 2.4 X 6 ALU	RIVET POP DIAM 2.4 X 6 ALU	REMACHE 2.4 X 6 ALU
19	3952	3952	3952	ENTRETOISE RADIATEUR	RADIATOR BRUSH	CASQUILLO RADIADOR
20	2860	2860	2860	RONDELLE ALU 8X12X1	WASHER ALU 8X12X1	ARANDELA ALU 8X12X1
21	3194	3194	3194	CAUTCHOUX SILENTBLOCK	SILENTBLOCK RUBBER	CAUCHO SILENTBLOCK
22	4558	4558	4558	BOUCHON RADIATEUR TRIAL NOIR	RADIATOR TAP TRIAL BLACK	TAPÓN RADIADOR TRIAL NEGRO
23	2269	2269	2269	VALVE PRESSION RADIATEUR	PRESSION VALVE RADIATOR	VALVULA PRESIÓN RADIADOR
24	3193	3193	3193	ENTRETOISE SILENTBLOCK	BUSH SILENTBLOCK	CASQUILLO SILENTBLOCK
25	M252	M252	M252	VIS CHC 6 X 20 0084 ZN NI TR	SCREW CHC 6 X 20 ZN NI TR	TORNILLO 6 X 20 DIN 912 ZN NI TR
26	C122	C122	C122	JOINT CUIVRE 38X44X2.5 0462	GASKET RING 38X44X2.5	JUNTA COBRE 38X44X2.5
27	2937	2937	2937	VIS BHC 5 X8 ISO 7380 ZN NI TR	SCREW BHC 5 X8 ZN NI TR	TORNILLO ULS 5 X 8 ISO 7380 ZN NI TR
28	M308	M308	M308	ECROU CLIP M6 0500500400	NUT CLIP M6	TUERCA CLIP M6
29	M168	M168	M168	TORIQUE 14 X18X2	O RING 14X18X2	TÓRICA 14X18X2

### Faisceau electrique / Electrical system / Instalación eléctrica (V1)



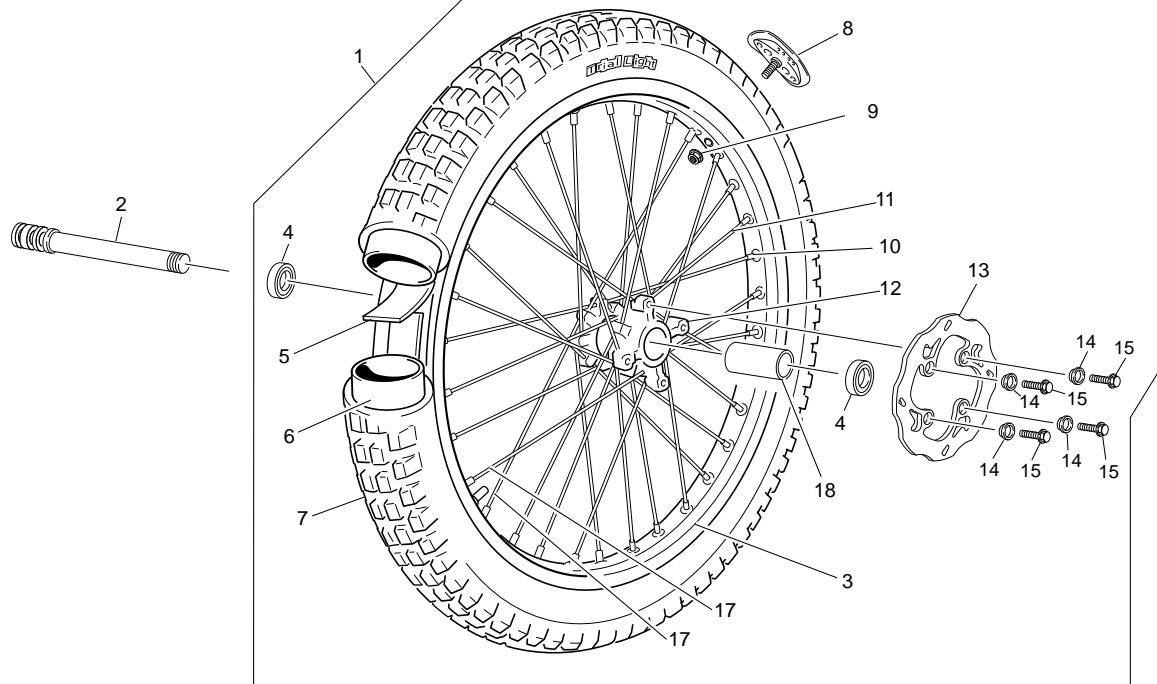
POS.	1.25	2.5	3.0	FRANÇAIS	ENGLISH	ESPAÑOL
1	4431	3579	3579	ALLUMAGE CPL HI 125 DIGITAL 2T 12P	IGNITION CPL HI 125 DIGITAL 2T 12P	ENCENDIDO COMPLETO HI 125 DIGITAL 2T 12P
2	3581	3581	3581	BOBINE HI TRIAL 2T 2012	IGNITION COIL TRIAL 2T2012	BOBINA HI TRIAL 2T 2012
3	6826	6826	6826	BOUGIE	SPARK PLUG	BUJÍA
4	M184	M184	M184	ANTIPARASITE MTA RESISTIVE 5 OHMS	SPARK PLUG CAP MTA RESISTIF 5 OHMS	PIPA BUJÍA MTA RESISTIVA 5 OHMS
5	R075	R075	R075	OUTIL EXTRACTEUR ROTOR ALLUMAGE	PULLER FOR FLYWEEL	EXTRACTOR ENCENDIDO
8	2820	2820	2820	FAISCEAU ELECTRIQUE PRINCIPAL TRIAL 2010	ELECTRIC CABLE	INSTALACIÓN ELÉCTRICA PRINCIPAL
9	2825	2825	2825	DIODE REDRESSEUSE COURT VENT. COMEX 2010	SHORT DIODE COMEX 2010	RECTIFICADOR CORTO VENT.R COMEX 2010
11	4433	----	----	SUPPORT PICK UP 125 HI. TRIAL	SUPPORT PICK UP 125 HI. TRIAL	SOPORTE PICK UP 125 HI. TRIAL
15	M306	M306	M306	ECROU NYLSTOP M6 0368.6	NUT NYLSTOP M6	TUERCA NYLSTOP M6
16	M330	M330	M330	COLLIER RISLAN 178 X 4.8	COLLIER 178 X 4.8	ABRAZADERA 178 X 4.8
17	M331	M331	M331	COLLIER RISLAN100 X 2.5	COLLIER 100 X 2.5	ABRAZADERA 100X 2.5
18	M274	M274	M274	RONDELLE GROSVER X 6 DIN 6798J 0428	WASHER GROSVER X 6 DIN 6798J 0428	ARANDELA GROSVER X 6 DIN 6798J 0428
19	M182	M182	M182	REGULATEUR LEONELLI	REGULATOR	REGULADOR
20	6564	6414	6414	CDI HI TRIAL DOUBLE COURBE / ETINCELLE 2T	CDI BOX HI TRIAL DOUBLE CURVE / SPARK 2T	CDI HI TRIAL DOBLE CURVA / CHISPA 2T
21	5013	5013	5013	MICROINTERRUPTEUR MAP	MICROINTERRUPTOR MAP	MICROINTERRUPTOR MAP
22	3586	3586	3586	CAUTCHOUÇ SUPPORT CDI HI TRIAL	RUBBER CDI HI TRIAL	GOMA CDI HI TRIAL
23	R493	R493	R493	DISPOSITIF TOMBÉE PILOTE	FALLEN DEVICE RIDER	DISPOSITIVO CAIDA PILOTO
24	5515	5513	5513	STATOR ALLUMAGE SEUL TRIAL 125CC	IGNITION TRIAL 125CC	STATOR SUELTO TRIAL 125CC
25	5516	5514	5514	RÔTOR ALLUMAGE TRIAL 125CC	FLYWHEEL IGNITION TRIAL 125CC	ROTOR ENCENDIDO TRIAL 125CC
26	3207	3207	3207	FIXATION BOBINE	FIXATION BOBINE	FIJACIÓN BOBINA
27	2256	2256	2256	THERMOCONTACT 2T 2010 75-68	THERMOSTAT 2T 2010 75-68	TERMOCONTACTO 2T 2010 75-68
28	M651	M651	M651	JOINT 13.10 X 1.6 SORTIE EAU	WATER EXIT O SEAL 13.10 X 1.6	TÓRICA 13.105 X 1.6 TUBO SALIDA AGUA

### Faisceau électrique / Electrical system / Instalación eléctrica (V2)



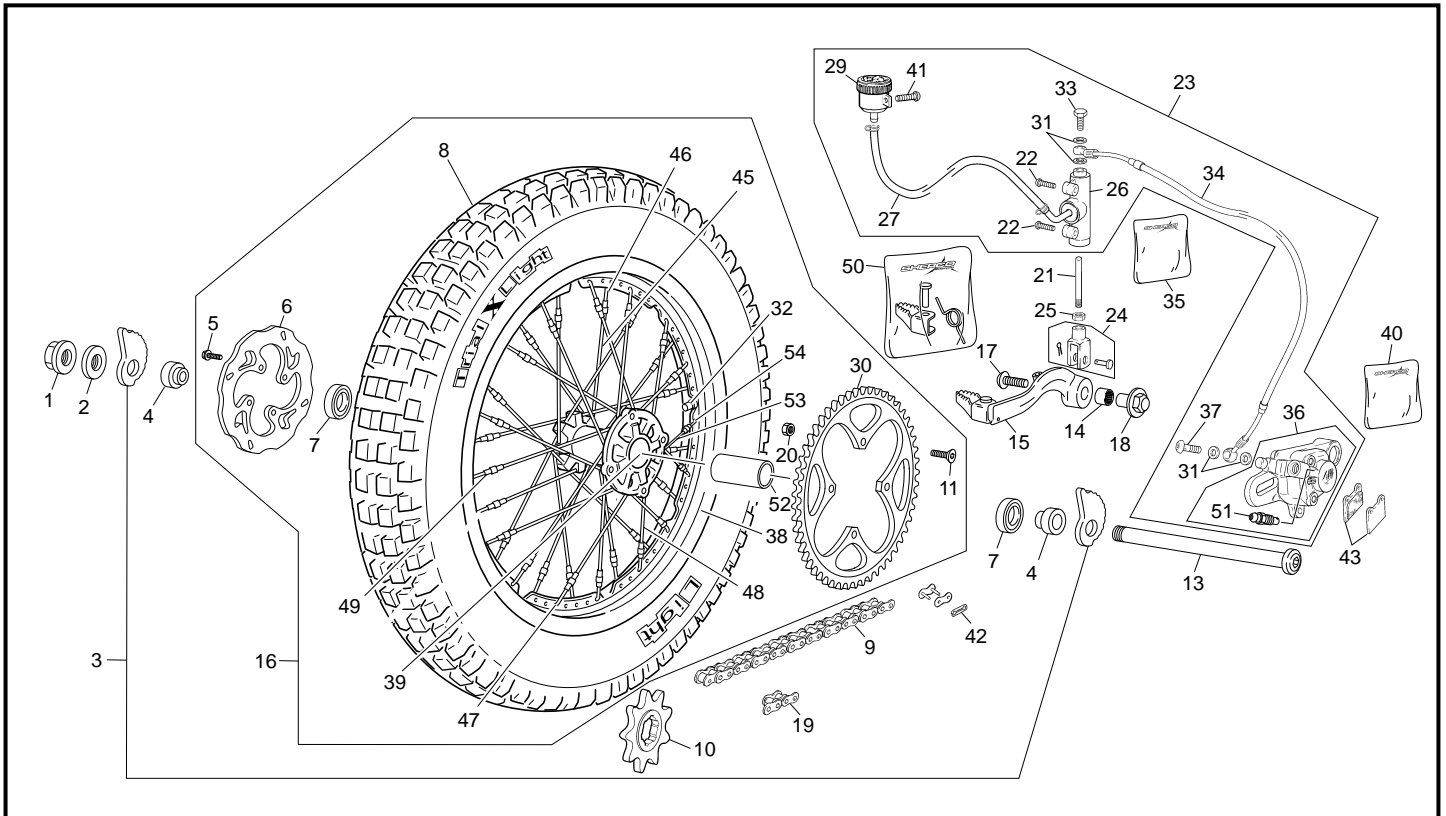
POS.	1.25	2.5	3.0	FRANÇAIS	ENGLISH	ESPAÑOL
1	3581	3581	3581	BOBINE HI TRIAL 2T 2012	IGNITION COIL TRIAL 2T2012	BOBINA HI TRIAL 2T 2012
2	6826	6826	6826	BOUGIE	SPARK PLUG	BUJÍA
3	M184	M184	M184	ANTIPARASITE MTA RESISTIVE 5 OHMS	SPARK PLUG CAP MTA RESISTIF 5 OHMS	PIPA BUJÍA MTA RESISTIVA 5 OHMS
4	R075	R075	R075	OUTIL EXTRACTEUR ROTOR ALLUMAGE	PULLER FOR FLYWEEL	EXTRACTOR ENCENDIDO
5	6816	6816	6816	FAISCEAU ELECTRIQUE PRINCIPAL	MAIN ELECTRICAL INSTALLATION	INSTALACIÓN ELÉCTRICA PRINCIPAL
6	2825	2825	2825	DIODE REDRESSEUSE	SHORT DIODE	RECTIFICADOR CORTO VENT.R COMEX
7	4433	----	----	SUPPORT PICK UP 125 HI. TRIAL	SUPORT PICK UP 125 HI. TRIAL	SOPORTE PICK UP 125 HI. TRIAL
8	M306	M306	M306	ECROU NYLSTOP M6 0368.6	NUT NYLSTOP M6	TUERCA NYLSTOP M6
9	M330	M330	M330	COLLIER RISLAN 178 X 4.8	COLLIER 178 X 4.8	ABRAZADERA 178 X 4.8
10	M331	M331	M331	COLLIER RISLAN100 X 2.5	COLLIER 100 X 2.5	ABRAZADERA 100X 2.5
11	M274	M274	M274	RONDILLE GROSVER X 6 DIN 6798J 0428	WASHER GROSVER X 6 DIN 6798J 0428	ARANDELA GROSVER X 6 DIN 6798J 0428
12	M182	M182	M182	REGULATEUR	REGULATOR	REGULADOR
13	6738	6737	6737	CDI HI TRIAL DOUBLE COURBE / ETINCELLE 2T E4	CDI BOX HI TRIAL DOUBLE CURVE / SPARK 2T E4	CDI HI TRIAL DOBLE CURVA / CHISPA 2T E4
14	5013	5013	5013	MICROINTERRUPTEUR MAP	MICROINTERRUPTOR MAP	MICROINTERRUPTOR MAP
15	3586	3586	3586	CAUTCHOUC SUPPORT CDI HI TRIAL	RUBBER CDI HI TRIAL	GOMA CDI HI TRIAL
16	R493	R493	R493	DISPOSITIF TOMBÉE PILOTE	FALLEN DEVICE RIDER	DISPOSITIVO CAIDA PILOTO
17	6740	6739	6739	STATOR ALLUMAGE	IGNITION	STATOR SUELTO
18	5516	5514	5514	ROTOR ALLUMAGE	FLYWHEEL INGNITION	ROTOR ENCENDIDO
19	3207	3207	3207	FIXATION BOBINE	FIXATION BOBINE	FIJACIÓN BOBINA
20	6846	6846	6846	FAISCEAU ELECTRIQUE PRINCIPAL RELAI TRIAL E4	FAISCEAU ELECTRIQUE PRINCIPAL RELAI TRIAL E4	INSTALACIÓN ELÉCTRICA PRINCIPAL RELÉ TRIAL E4
21	6847	6847	6847	FAISCEAU CONDENSATE (25V,4700MF)	FAISCEAU CONDENSATE (25V,4700MF)	INSTALACIÓN CONDENSADOR (25V,4700MF)
22	6817	6817	6817	SONDE THERMIQUE 2T TR E4	SONDE THERMIQUE 2T TR E4	SONDA TERMICA 2T TR E4
23	M651	M651	M651	JOINT 13.10 X 1.6 SORTIE EAU	WATER EXIT O SEAL 13.10 X 1.6	TÓRICA 13.105 X 1.6 TUBO SALIDA AGUA

**Roue avant / Front wheel / Rueda delantera**



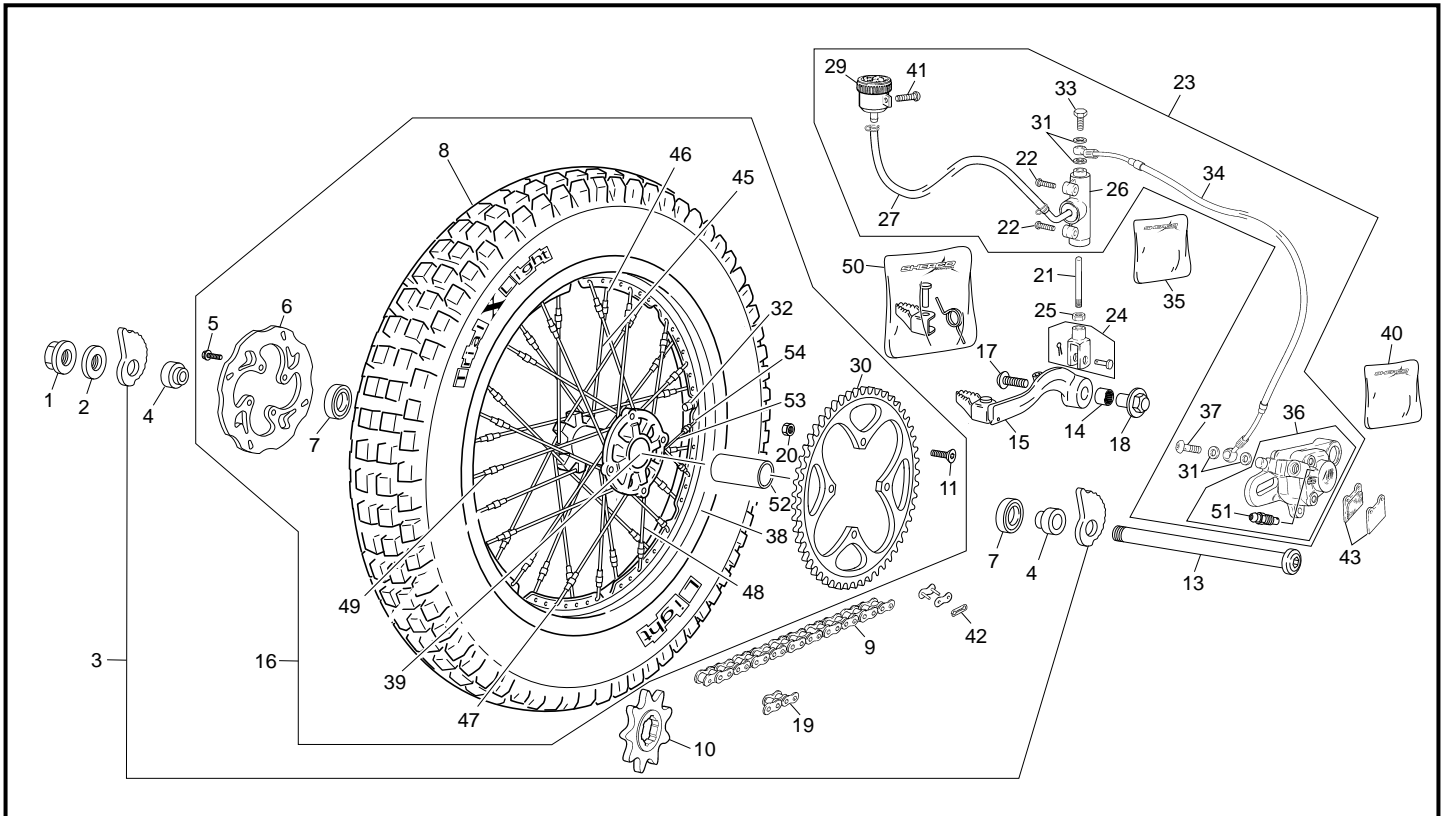
POS.	1.25	2.5	3.0	FRANÇAIS	ENGLISH	ESPAÑOL
1	5804	5804	5804	ROUE AVANT TR. BLEU BRILLANT SHERCO F 2015	FRONT WHEEL TR. BLUE BRIGHT SHERCO F 2015	RUEDA DELANT. TR AZUL BRILLANTE SH F 2015
2	5385	5385	5385	AXE DE ROUE AVANT TS F	FRONT WHEEL AXLE TS F	EJE RUEDA DELANTERA TS F
3	6143	6143	6143	JANTE AVANT BLEU BRI 1.60X21 32 RAYONS	FRONT RIM BLUE BRIGHTT 1.60X21 32 R	LLANTA DELANT. AZUL BRI 1.60X21 32 RADIOS
4	R049	R049	R049	ROULEMENT DE MOYEU 6004 2RS VOIR REF 0175	BEARING HUB 6004 2RS SEE REF 0175	RODAMIENTO BUJE 6004 2RS VER REF 0175
5	C201	C201	C201	RUBAN FOND DE JANTE R14025	RIM RUBBER PROTECTION	GOMA PROTECCION LLANTA
6	C202	C202	C202	CHAMBRE A AIR 21AB	21 TUBE	CAMARA 21
7	2928	2928	2928	PNEU AVANT TRIAL LIGHT 80/100-21	FRONT TIRE TRIAL LIGHT 80/100-21	NEUMÁTICO DELANT. TRIAL LIGHT 80/100-21
8	C203	C203	C203	GRIPSTER	TYRE STAY	FRENO CUBIERTA
9	M305	M305	M305	ECROU NYLSTOP M8 0368.8	NUT NYLSTOP M8	TUERCA NYLSTOP M8
10	3398	3398	3398	ECROU DE RAYON AVANT M3.5X0.60	FRONT NEEPLE SPOCKE M3.5X0.60	TUERCA RADIO DELANTERO M3.5X0.60
11	3397	3397	3397	RAYON 257 X 3 NEW NOIR	SPOCKE 257 X 3 NEW BLACK	RADIO 257 X 3 NUEVO NEGRO
12	5806	5806	5806	MOYEU AVANT JAUNE FLUOR F 2015	FRONT HUB YELLOW FLUOR F 2015	BUJE DELANTERO AMARILLO FLUOR F 2015
13	5357	5357	5357	DISQUE FREIN AVANT GALFER TR F	FRONT DISC GALFER TR F	DISCO DELANTERO GALFER TR F
14	C209	C209	C209	ENTRETOISE DISQUE AVANT	SPACER DISC	CASQUILLO FLOTANTE DISCO
15	C452	C452	C452	VIS HEXAGONAL EPAULE M6 X 18	SCREW EXAGONAL M6 X 18	TORNILLO EXAGONAL M6 X 18
17	6146	6146	6146	RAYON 257 X 3 NEW FLUO	SPOCKE 257 X 3 NEW FLUO	RADIO 257 X 3 NUEVO FLUOR
18	5930	5930	5930	ENTRETOISE INTERNE MOYEU AVANT TRIAL	FRONT HUB SPACER TRIAL	SEPARADOR INT. BUJE DELANTERO TRIAL

### Roue arrière avec système Braktec / Rear wheel with Braktec system/ Rueda trasera con sistema Braktec



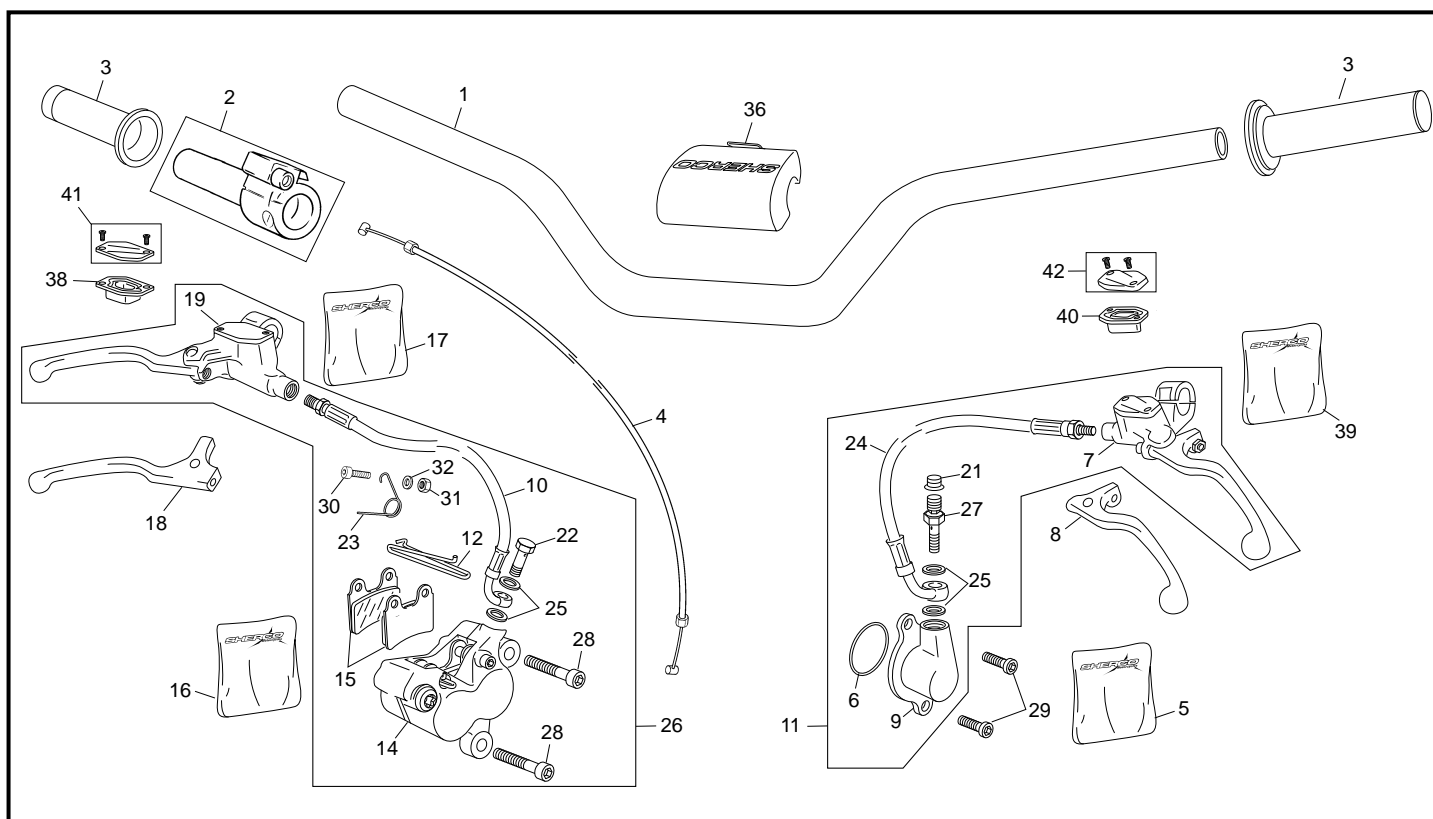
POS.	1.25	2.5	3.0	FRANÇAIS	ENGLISH	ESPAÑOL
1	C253	C253	C253	ECROU ROUE ARRIERE	REAR AXLE NUT	TUERCA EJE RUEDA TRASERA
2	M314	M314	M314	RONDELLE X 16 1405 016 ZN NI TR	WASHER X 17 ZN NI TR	ARANDELA X 17 ZN NI TR
3	6415	6415	6415	EXCENT TENDEUR CHAINE JEU TITANIUM OXIA FAC	SET RUNNER CHAIN TITANIUM OXIA FAC	JUEGO EXCÉNTRICAS TENSOR CADENA OXIA FAC
4	3951	3951	3951	ENTRETOISE ROUE ARRIERE FMLA	REAR BRUSH FMLA	SEPARADOR RUEDA TRASERA FMLA
4	C255	C255	C255	ENTRETOISE ROUE ARRIERE	REAR BRUSH	SEPARADOR RUEDA TRASERA
5	M249	M249	M249	VIS CHC TETE BASSE 6 X 20 SS TROU GUIDAGE	SCREW CHC 6 X 20	TORNILLO M 6 X 20 CABEZA REBAJADA
6	5358	5358	5358	DISQUE FREIN ARRIERE GALFER TR F	REAR DISC GALFER TR F	DISCO FRENO TRASERO GALFER TR F
7	R049	R049	R049	ROULEMENT DE MOYEU 6004 2RS VOIR REF 0175	BEARING HUB 6004 2RS SEE REF 0175	RODAMIENTO BUJE 6004 2RS VER REF 0175
8	C251	C251	C251	PNEU ARRIERE X11 400X18	REAR TYRE X11 400 X 18	NEUMÁTICO TRAS. X11 400 X 18 TUBELESS
9	3376	C265	C265	CHAINE 103M	CHAIN 103M	CADENA 103M
10	M227	C267	C267	PIGNON 9 D	SPROCKET 9 T	PIÑÓN 9 D
11	M287	M287	M287	VIS BHC 8 X 22	SCREW BHC 8 X 22	TORNILLO BHC 8 X 22
13	4594	4594	4594	AXE ROUE ARRIERE NOIR	AXELE BACK WEEL BLACK	EJE RUEDA TRAS NEGRO
14	2299	2299	2299	DOUILLE BRONZE PEDALE FREIN TR	BEARING	CASQUILLO BRONCE PEDAL FRENO TR
15	4560	4560	4560	PEDALE DE FREIN NOIR	REAR BRAKE PEDAL BLACK	PEDAL FRENO TRASERO NEGRO
16	6760	6443	6443	ROUE ARRIERE TR BLEU BRILLANT SH F 2016	BACK WEEL TR BLUE BRIGHT SH F 2016	RUEDA TRAS TR AZUL BRILLANTE SH F 2016
17	M280	M280	M280	VIS BHC 8 X 16 1093 ZN NI TR - TL 180°	SCREW BHC 8 X 16 ZN NI TR - TL 180°	TORNILLO 8 X 16 ULS ZN NI TR - TL 180°
18	5076	5076	5076	ENTRETOISE PEDALE DE FREIN INTEGRALE	SPACER BRAKE PEDAL INTEGRAL	CASQUILLO PEDAL DE FRENO INTEGRAL
19	C304	C304	C304	1/2 MAILLON DE CHAINE	HALF COMPLING CONNECTION	MEDIA MALLA DE CADENA
20	M305	M305	M305	ECROU NYLSTOP M8 0368.8	NUT NYLSTOP M8	TUERCA NYLSTOP M8
21	C261	C261	C261	TIGE FREIN ARRIERE	PIN BRAKE ROD	TIJA PEDAL FRENO TRASERO
22	M284	M284	M284	VIS BHC 6 X 25 ACZI NOIRE ZN NI TR	SCREW BHC 6 X 25 NEGRO ZN NI TR	TONILLO 6 X 25 ULS BLACK ZN NI TR
23	C321	C321	C321	GROUPE FREIN ARRIERE	REAR BRAKE COMPLETE	CTO. FRENO TRASERO
24	C259	C259	C259	CHAPE PEDALE FREIN 0267	REAR BRAKE ROD	HORQUILLA PEDAL DE FRENO
25	M309	M309	M309	ECROU STANDARD M6 0317	NUT M6	TUERCA M6
26	C385	C385	C385	POMPE FREIN AR 9.5	REAR MASTER CYLINDER 9.5	BOMBA FRENO TRASERO 9.5
27	R069	R069	R069	TUBE LIQUIDE FREIN BOCAL/POMPE L 210	OIL TANK TUBE L 210	TUBO LIQUIDO FRENO L 210
29	R066	R066	R066	BOCAL LIQUIDE FREIN	OIL TANK BRAKE	DEPÓSITO LIQUIDO FRENO
30	6802	6471	6471	COURONNE 4 TROUS LEGERE	REAR SPROKET 4 HOLES LIGTH	CORONA 4 TALADROS LIGERA
31	R074	R074	R074	RONDELLE BANJO CUIVRE 10X14X1.5	WASHER COPPER 10X14X1.5	ARANDELA BANJO COBRE 10X14X1.5
32	3631	3631	3631	VALVE AR JANTE NER	TUBLESS VALVE RIM NER	VÁLVULA LLANTA NERVI
33	R058	R058	R058	CAPUCHON VIS DE PURGE	HOOD SCREW PURGE	TAPÓN SANGRADOR
34	C388	C388	C388	DURITE FREIN ARRIERE TRIAL	REAR BRAK HOSE TRIAL	LATIGUILLO FRENO TRASERO TRIAL
35	R233	R233	R233	KIT REPARATION POMPE FREIN AR TRIAL	REAR MASTER CYLINDER SEAL KIT TRIAL	KIT REPARACIÓN PINZA FRENO TRIAL
36	C386	C386	C386	ETRIER FREIN ARRIERE 2002	REAR CALIPER 2002	PINZA FRENO TRASERO 2002

## Roue arrière avec système Braktec / Rear wheel with Braktec system/ Rueda trasera con sistema Braktec



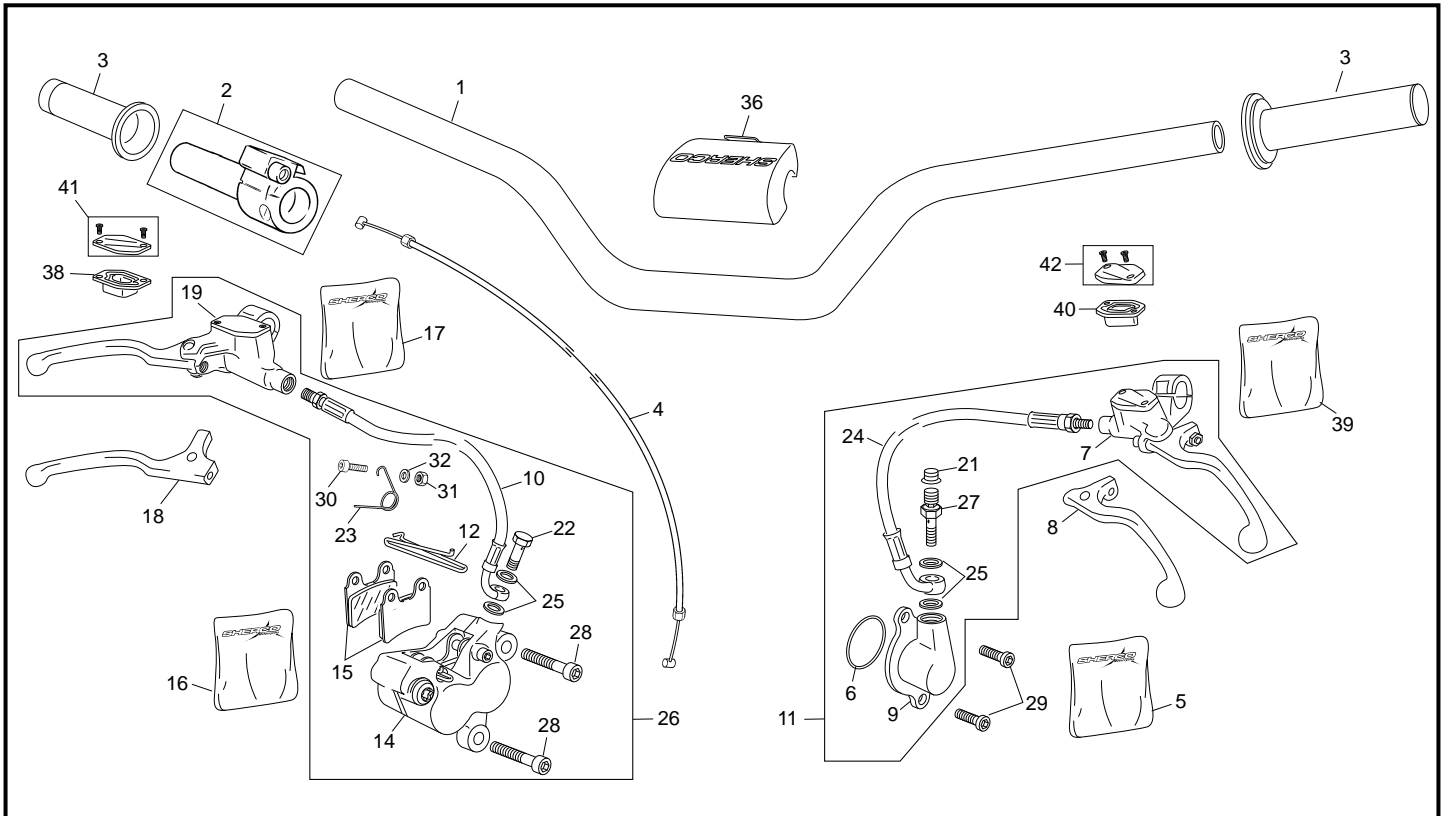
POS.	1.25	2.5	3.0	FRANÇAIS	ENGLISH	ESPAÑOL
37	R059	R059	R059	VIS RACCORD M10 X 21 HEXA	LINK SCREW M10 X 21 HEXA	TORNILLO RACORD M10 X 21HEXA
38	6142	6142	6142	JANTE ARRIERE BLEU BRI NERVURE 32 RAYONS LEGER	REAR RIM BLUE BRIGHT NERVE 32 R LIGTH	LLANTA TRAS. AZUL BRI NERVADA 32 R ALIGERADA
39	5807	5807	5807	MOYEU ARRIERE JAUNE FLUOR F 2015	REAR HUB YELLOW FLUOR F 2015	BUJE TRASERO AMARILLO FLUOR F 2015
40	R235	R235	R235	KIT ETRIER ARRIERE 2002	KIT CALIPER BACK 2002	KIT PINZA FRENO TR 2002
41	M282	M282	M282	VIS BHC 6 X 10 1093 ZN NI TR	SCREW BHC 6 X 10 ZN NI TR	TORNILLO 6 X 10 BHC ZN NI TR
42	R034	R034	R034	ATTACHE RAPIDE DE CHAINE	CONNECTING LINK	ENGANCHE CADENA
43	C390	C390	C390	PLAQUETTES FREIN ARRIERE TRIAL PAIRE	REAR PAD BRAKE TRIAL PAIR	JUEGO PASTILLAS TRASERO TRIAL
45	3391	3391	3391	RAYON DEMIE 165X3.5 NOIR COTE DISQUE	HALF SPOCKE 165X3.5 BLACK SIDE BRAKE	RADIO SEMI 165X3.5 NEGRO LADO DISCO
46	3392	3392	3392	RAYON L MINI 34.5X3.5 COTE DISQUE NOIR	RAYON L MINI 34.5X3.5 COTE DISQUE BLACK	RADIO L MINI 34.5X3.5 LADO DISCO NEGRO
47	3393	3393	3393	RAYON DEMIE 175X3.5 COTE COURONE NOIR	HALF SPOCKE 175X3.5 SIDE TRANS BLACK	RADIO SEMI 175X3.5 LADO CORONA NEGRO
48	3394	3394	3394	RAYON L MINI 35.5X3.5 COTE COURONE NOIR	SPOCKE L MINI 35.5X3.5 SIDE TRANS BLACK	RADIO L MINI 35.5X3.5 LADO CORONA NEGRO
49	3395	3395	3395	TENDEUR RAYON AR	REAR NIPPLE SPOKE	TENSOR RADIO TRASERO
50	5326	5326	5326	KIT REPARATION PEDALE DE FREIN	KIT REPARATION REAR BRAKE LEVER	KIT REPARACIÓN PEDAL FRENO TRASERO
51	R400	R400	R400	PURGEUR M6 ETRIER AR 02	PURGE STIRRUP SCREW 02	SANGRADOR M6 BOMBA TRAS 02
52	5931	5931	5931	ENTRETOISE INTERNE MOYEU AR TRIAL	REAR HUB SPACER REAR TRIAL	SEPARADOR INT. BUJE TRASERO TRIAL
53	6144	6144	6144	RAYON DEMIE 165X3.5 FLUO COTE DISQUE	HALF SPOCKE 165X3.5 SIDE BRAKE FLUO	RADIO SEMI 165X3.5 FLUOR LADO DISCO
54	6145	6145	6145	RAYON L MINI 34.5X3.5 COTE DISQUE FLUO	RAYON L MINI 34.5X3.5 COTE DISQUE FLUO	RADIO L MINI 34.5X3.5 LADO DISCO FLUOR

## Guidon avec système Braktec / Handlebar with Braktec system / Manillar con sistema Braktec



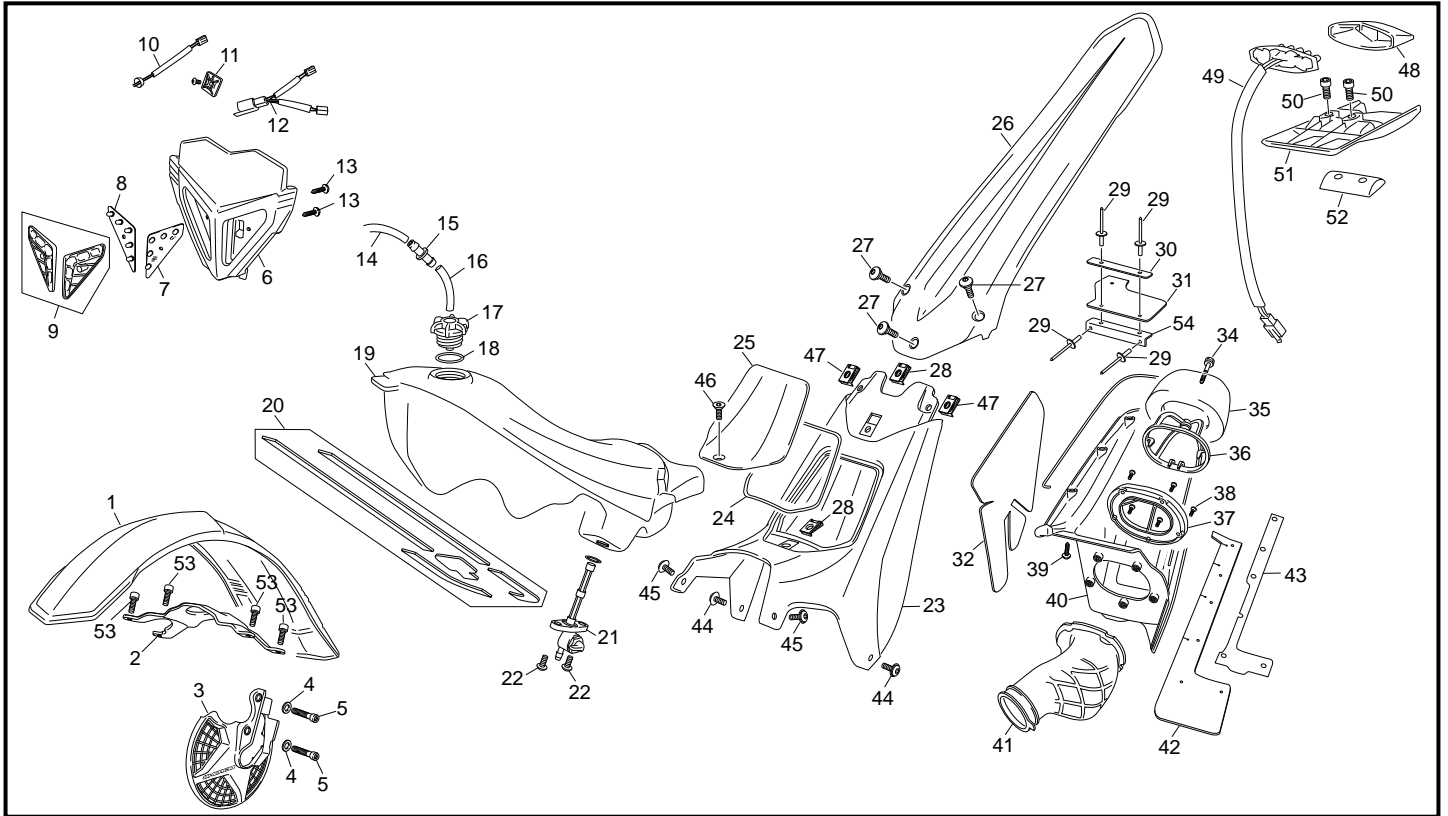
POS.	1.25	2.5	3.0	FRANÇAIS	ENGLISH	ESPAÑOL
1	5353	5353	5353	GUIDON TRIAL BLANCHE F	HANDLEBAR TRIAL WHITE F	MANILLAR TRIAL BLANCO F
2	C074	C074	C074	COMMANDE DE GAZ OXIA	THROTTLE CONTROL OXIA	MANDO DE GAS OXIA
3	1662	1662	1662	POIGNEE CAOUTCHOUC PAIRE REA OXIA	GRIPS SET REA OXIA	JUEGO EMPUNADURAS REA OXIA
4	5546	5546	5546	CABLE DE GAZ KEIHIN SCORPA	THROTTLE CABLE KEIHIN SCORPA	CABLE DE GAS KEIHIN SCORPA
5	6361	6361	6361	KIT PISTON EMETEUR ED	KIT PISTON CLUTCH PUSH ED	KIT PISTON EMPUJADOR ED
6	R024	R024	R024	TORIQUE 35 X 31 X 2 EMB/CARTER	O-RING 31 X 2 (CLUTCH)	TORICA 31 X 2 EMBRA/CARTER
7	6602	6602	6602	POMPE EMB CPL BRAKTEC BRIDE	CLUTCH FRONT PUMP ASSY BRAKTEC	CTO BOMBA EMB BRAKTEC CON BRIDA
8	5523	5523	5523	LEVIER EMBRAYAGE BRAKTEC	LEVER CLUCH BRAKTEC	MANETA EMBRAGUE BRAKTEC
9	6590	6590	6590	RECEPTEUR EMBRAYAGE ED COMPLETE	KIT COMPLET PISTON SLAVE ED	EMPUJADOR EMBRAGUE ED COMPLETO
10	5531	5531	5531	DURITE FREIN AVANT BRAKTEC	FRONT BRAKE HOSE BRAKTEC	LATIGUILLO FRENO DELANTERO BRAKTEC
11	6766	6766	6766	GROUPE CPL EMB BRAKTEC ED	COMPLETE CLUTCH SET BRAKTEC ED	GRUPO EMBRAGUE COMPLETO BRAKTEC ED
12	R042	R042	R042	CLIP PLAQUETTES	CLIP PAD BRAKE	MUELLE PASTILLAS FRENO
14	5524	5524	5524	CORPS ETRIER FREIN AVANT DOUBLE PIST. BRAKTEC	BODY FRONT CALIPER 2 PISTON BRAKTEC	CUERPO PINZA FRENO DEL DOBLE PISTON BRA.
15	C389	C389	C389	PLAQUETTES FREIN AVANT PAIRE 2002	FRONT PAD BRAK PAIR 2002	JUEGO PASTILLAS FRENO DEL JUEGO 2002
16	5525	5525	5525	KIT REPARATION PISTON POMPE BRAKTEC	PISTON KIT 10 MM BRAKTEC	KIT REPARACION PISTON BOMBA BRAKTEC
17	6600	6600	6600	KIT REPARATIONJ PIST. POMPE FREIN AV BRAKTEC	FRONT BRAKE PISTON KIT BRAKTEC	KIT REPARACION PISTON BOMBA FRENO BRA.
18	5519	5519	5519	LEVIER FREIN AVANT BRAKTEC	FRONT BRAKE LEVER BRAKTEC	MANETA FRENO DEL BRAKTEC
19	6599	6599	6599	POMPE FREIN AV CPL AV BRIDE BRAKTEC	FRONT PUMP ASSY BRAKTEC	BOMBA FRENO DEL CON BRIDA BRAKTEC
21	R058	R058	R058	CAPUCHON VIS DE PURGE	HOOD SCREW PURGE	TAPON SANGRADOR
22	5527	5527	5527	VIS BHC 6 X 16 CARROSSERIE NOIR	SCREW BHC 6 X 16 CARROSSERIE BLACK	TORNILLO 6 X 16 ESPECIAL CARROCERIA NEGRO
23	R043	R043	R043	GUIDE DURITE FREIN AV	GUIDE FRONT BRAKE HOSE	GUJA LATIGUILLO
24	5532	5532	5532	DURITE EMBRAYAGE BRAKTEC M10-M8	CLUTCH HOSE BRAKTEC M10-M8	LATIGUILLO EMBRAGUE BRAKTEC M10-M8
25	3213	3213	3213	RONDELLE BANJO M8 (VOIR 2860)	ALUMINIUM SEAL M8 (SEE 2860)	ARANDELLA BANJO M8 (VER 2860)
26	6767	6767	6767	GROUPE FREIN AVANT DOUBLE PIST. BRAKTEC ED	FRONT BRAKE GROUP COMPLETE BRAKTEC ED	CTO FRENO DELANTERO DOBLE PISTON BRA. ED
27	5530	5530	5530	KIT PURGE BRAKTEC M8	BLEENDING SCREW KIT BRAKTEC M8	KIT PURGA BRAKTEC M8
28	R236	R236	R236	AXE ETRIER FREIN AV/DL/PISTON	PIN FRONT CALIPER DL PISTON	EJE PINZA FRENO DL/PISTON
29	M252	M252	M252	VIS CHC 6 X 20 0084 ZN NI TR	SCREW CHC 6 X 20 ZN NI TR	TORNILLO 6 X 20 DIN 912 ZN NI TR
30	M283	M283	M283	VIS BHC 6 X 16 1093 ZI BL	SCREW BHC 6 X 16	TORNILLO 6 X 16 ULS CIN BLA
31	M306	M306	M306	ECROU NYLSTOP M6 0368.6	NUT NYLSTOP M6	TUERCA NYLSTOP M6
32	M317	M317	M317	RONDELLE 6 X12 0407 6	WASHER X 6	ARANDELA 6 DIN 125 A
36	6423	6423	6423	MOUSSE GUIDON TRIAL SHERCO	FOAM HANDLEBAR SHERCO F	ESPUMA MANILLAR TRIAL SHERCO F
38	5518	5518	5518	KIT RESERVOIR POMPE FREIN BRAKTEC	FRONT BRAKE GROUP BRAKTEC	CTO DEPOSITO FRENODELANTERO BRAKTEC
39	6601	6601	6601	KIT REPARATION PISTON EMB BRAKTEC ED	PISTON CLUTCH KIT BRAKTEC ED	KIT REPARACION PISTON EMBRAGUE BRAKTEC ED

Guidon avec système Braktec / Handlebar with Braktec system / Manillar con sistema Braktec



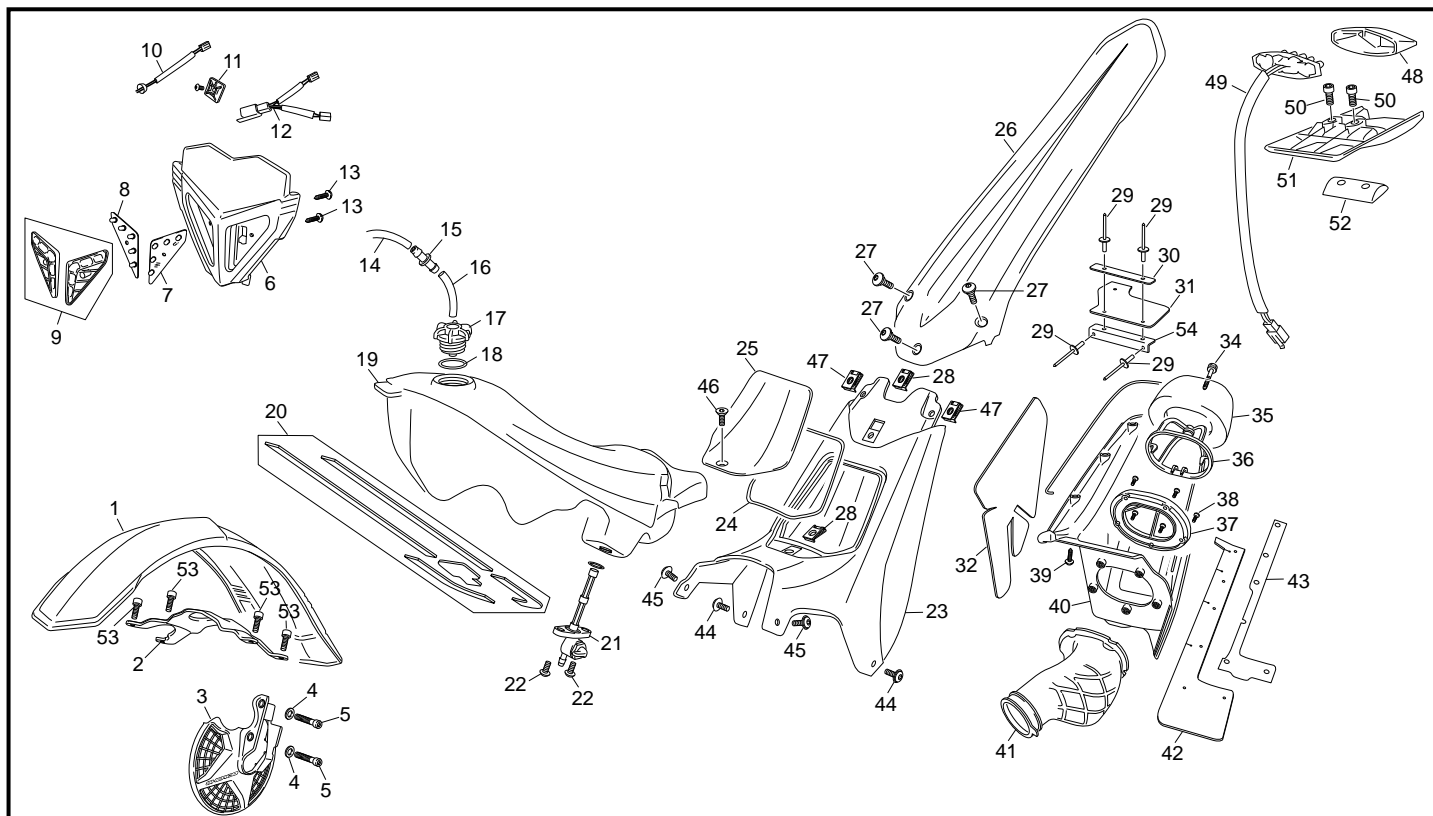
POS.	1.25	2.5	3.0	FRANÇAIS	ENGLISH	ESPAÑOL
40	6603	6603	6603	KIT RESERVOIR POMPE EMB MINERAL BRAKTEC ED	RESERVOIR KIT MINERAL BRAKTEC ED	KIT TAPA DEP. BOMBA EMB MINERAL BRAKTEC ED
41	6425	6425	6425	COUVERCLE MAITRE CYLINDRE FREIN ALU GRIS SH F	MASTER CYLINDER COVER RIGHT ALU GREY SH F	TAPETA BOMBA FRENO ALU GRIS SHERCO F
42	6426	6426	6426	COUVERCLE MAITRE CYLINDRE EMB ALU GRIS SH F	MASTER CYLINDER COVER LEFT ALU GREY SH F	TAPÓN BOMBA EMBRAGUE ALU GRIS SHERCO F

### Plastiques / Plastics / Plásticos



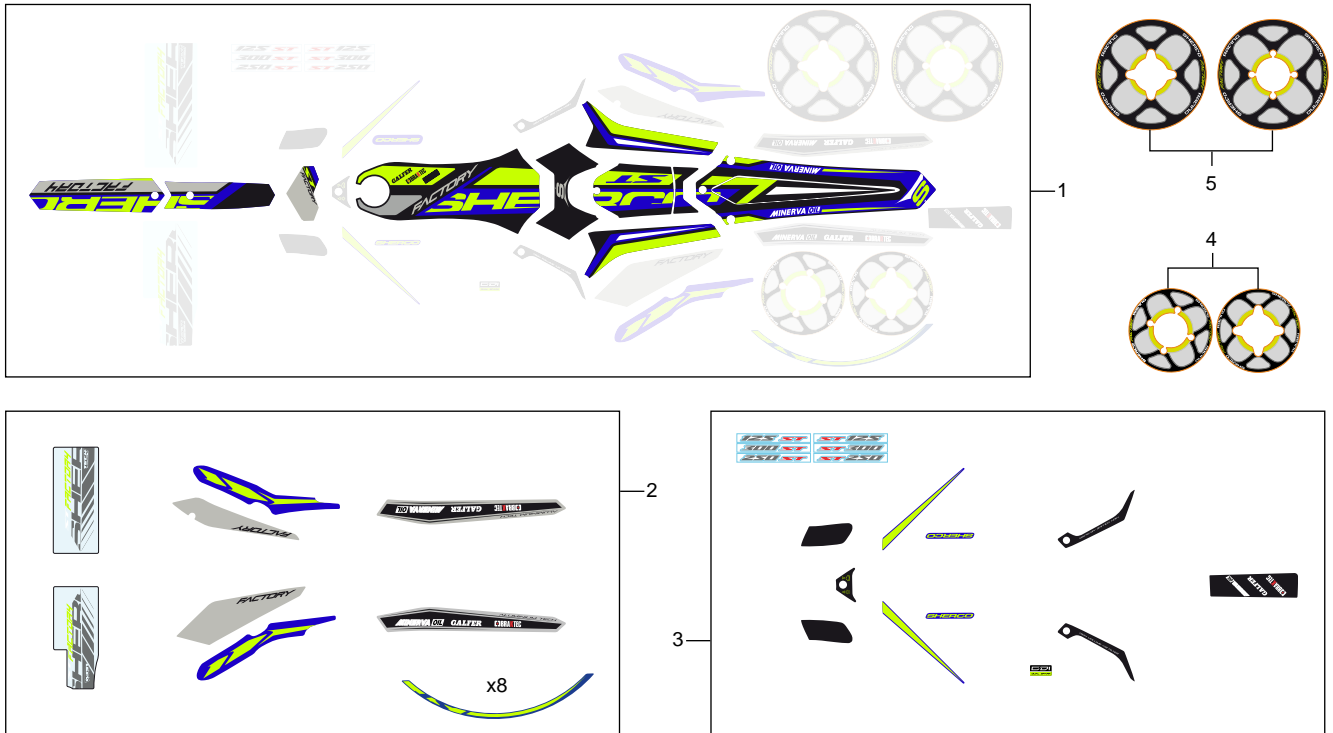
POS.	1.25	2.5	3.0	FRANÇAIS	ENGLISH	ESPAÑOL
1	5071	5071	5071	PARE BOUE AVANT NOIR TR	FRONT MUDGUARD BLACK TR	GUARDABARRO DELANTERO NEGRO TR
2	5822	5822	5822	ARCEAU FOURCHE TS NOIR BRILLANT SHERCO F	MUDGUARD HOLDER TS HIGH GLOS BL. SH F	PUENTE SUSPENSIÓN TS NEGRO BRILLO SH F
3	5341	5341	5341	PARE DISQUE AV NOIR TR TECH	DISC COVER FRONT BLACK TR TECH	PROTECTOR DISCO NEGRO DEL. TR TECH
4	C031	C031	C031	ENTRETOISE PARE DISQUE	SPACER DISC COVER	SEPARADOR CUBREDISCOS DEL.
5	M262	M262	M262	VIS CHC 8 X 30 0084 ZN NI TR - TL 180°	SCREW CHC 8 X 30 ZN NI TR - TL 180°	TORNILLO 8 X 30ALLEN ZN NI TR - TL 180°
5	M265	M265	M265	VIS CHC 8 X 60 0084 ZN NI TR - TL 180°	SCREW CHC 8 X 60 ZN NI TR - TL 180°	TORNILLO 8 X 60 ALLEN ZN NI TR - TL 180°
6	3163	3163	3163	PLAQUE PHARE NOIR TR 11	PLASTIC LIGHT COVERT BLACK TR 11	PLACA FARO NEGRA TR 11
7	2361	2361	2361	LED AVANT GAUCHE 2010	FRONT LEFT BULB 2010	LED DELANTERO IZQUIERDO 2010
8	2360	2360	2360	LED AVANT DROITE 2010	FRONT RIGHT BULB 2010	LED DELANTERO DERECHO 2010
9	2358	2358	2358	OPTIQUE DOUBLE 2010	DOUBLE FRONT LIGHT 2010	OPTICA DOBLE 2010
10	2921	2921	2921	INTERUPTEUR LUMIERE TRIAL 2010	FRONT LIGHT STOP TRIAL 2010	INTERUPTOR LUCES TRIAL 2010
11	3202	3202	3202	FIXATION INTERRUPTOR LUMIERE	STRAP FIX INT	LAPA FIJACIÓN INTERRUPTOR
12	2821	2821	2821	FAISEAU OPTIQUE TRIAL 2010	FRONT LIGHT CABLE SYSTEM TRIAL 2010	INSTALACIÓNN ÓPTICA TRIAL 2010
13	M335	M335	M335	VIS TOLE 3.9 X 16	SCREW TOLE 3.9 X 16	TORNILLO TOLE 3.9 X 16
14	5752	5752	5752	DURITE MISE A L' AIR LONGUE	PETROL TUBE LONG	TUBO RESPIRADERO LARGO
15	5725	5725	5725	VALVE ANTI RETOUR PASTIQUE	ANTI RETURN VALVE PLASTIK	VÁLVULA ANTI RETORNO PLÁSTICO
16	5508	5508	5508	DURITE MISE A L' AIR	PETROL TUBE	TUBO RESPIRADERO
17	5481	5481	5481	BOUCHON ESSENCE SC/SH	PETROL CAP SC/SH	TAPÓN GASOLINA SC/SH
18	5483	5483	5483	JOINT BOUCHON ESSENCE TRIAL SC/SH	SEAL PETROL CAP TRIAL SC/SH	JUNTA TAPÓN GASOLINA TRIAL SC/SH
19	5946	5946	5946	RESERVOIR TRIAL SHERCO 16	PETROL TANK TRIAL SHERCO 16	DEPÓSITO TRIAL SHERCO 16
20	5950	5950	5950	MOUSSE RESERVOIR TRIAL 2016	FOAM TANK TRIAL 2016	ESPUMA DEPÓSITO TRIAL 2016
21	C023	C023	C023	ROBINET ESSENCE	PETROL TAP	GRIFO GASOLINA
22	M282	M282	M282	VIS BHC 6 X 10 1093 ZN NI TR	SCREW BHC 6 X 10 ZN NI TR	TORNILLO 6 X 10 BHC ZN NI TR
23	5953	5953	5953	SUPPORT BOITIER FILTRE SHERCO 2016	SUPORT BODY FILTER SHERCO 2016	SOPORTE CUERPO FILTRO SHERCO 2016
24	6240	6240	6240	GOME ETANCHEITE COUVERCLE FILT.SH 4X463 FE	SEALING RUBBER COV. FILT. BOX SH. 4X463 CLO	GOMA ESTANQ TAPA FILTRO SH 4X463 CERRADA
25	5951	5951	5951	COUVERCLE FILTRE SHERCO	AIR FILTER BOX COVER SHERCO	TAPA CAJA FILTRO SHERCO
26	5945	5945	5945	PARE BOUE ARRIERE NOIR TR 16	REAR MUDGUARD BLACK TR 16	GUARDABARRO TRASERO NEGRO TR 16
27	3953	3953	3953	VIS CARROSSERIE 6 X 16 NOIR	SCREW BHC 6 X 16 CARROSSERIE BLACK	TORNILLO CARROCERIA 6 X 16 NEGRO
28	M308	M308	M308	ECROU CLIP M6 0500500400	NUT CLIP M6	TUERCA CLIP M6
29	5645	5645	5645	RIVET 4 X 10 LARGE NOIR	RIVET 4 X 10 LARGE BLACK	REMACHE 4 X 10 ALA ANCHA NEGRO
30	5641	5641	5641	CHAPE DE FIXATION CAUCHOU 1MM	FIXING PLATE RUBBER 1MM BOX	CHAPA SUJECCIÓN GOMA 1MM CAJA DE FILTRO
31	5507	5507	5507	BAVETTE INTERIEUR FILTRE	INSIDE FILTER COVER	PROTECTOR INTERIOR FILTRO
32	5482	5482	5482	ADESIF THERMIQUE BOITE FILTRE	SET THERMIC STICKER FILTER BOX	PROTECTOR TÉRMICO CAJA DE FILTRO
34	5505	5505	5505	AXE FILTRE SC/SH ZINK	AXLE FILTER SC/SH ZINK	EJE FILTRO SC/SH ZINCADO
35	5578	5578	5578	MOUSSE DE FILTRE SC/SH 2015	FOAM FILTER SC/SH 2015	ESPUMA FILTRO SC/SH 2015

### Plastiques / Plastics / Plásticos



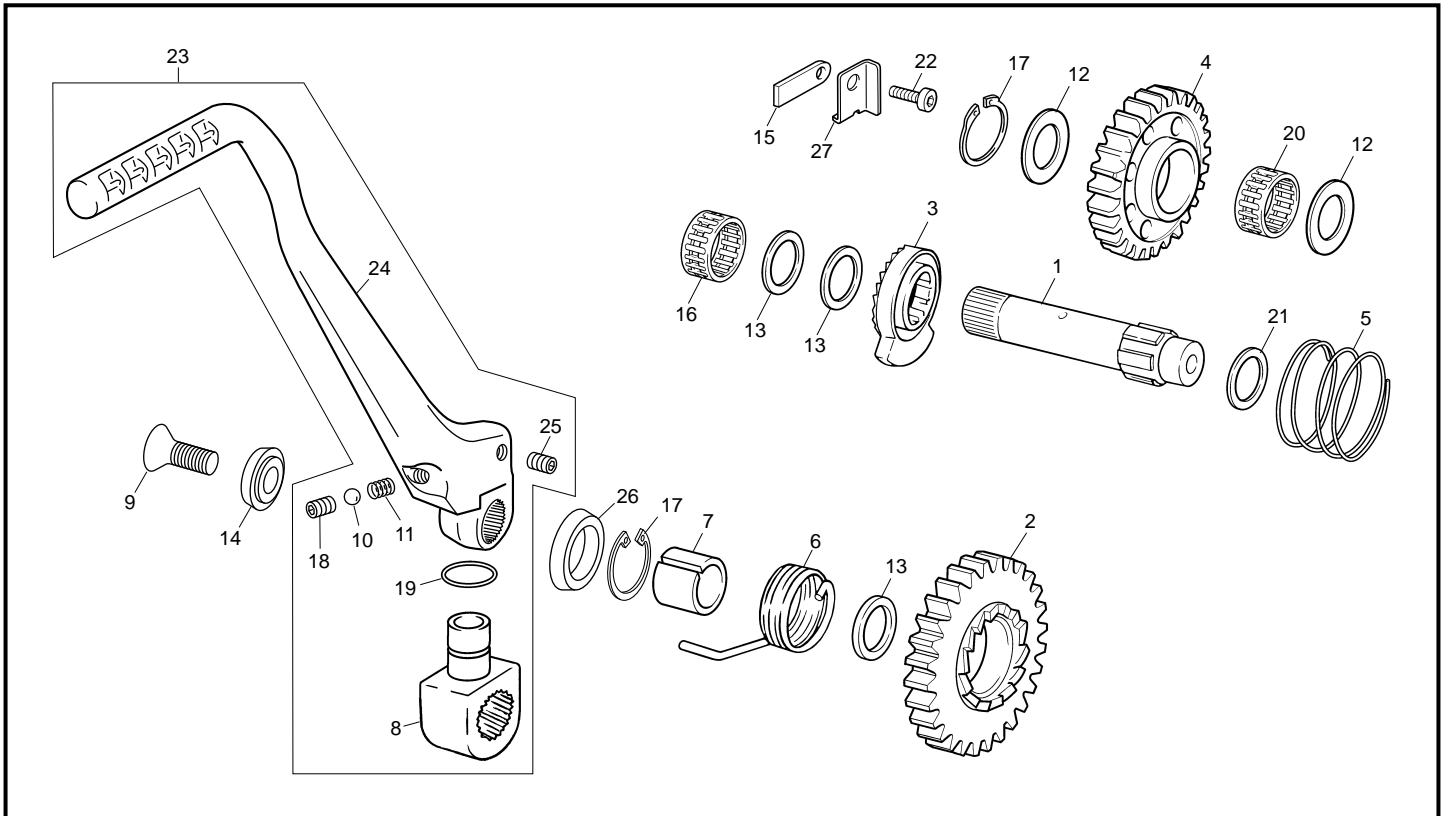
POS.	1.25	2.5	3.0	FRANÇAIS	ENGLISH	ESPAÑOL
36	5504	5504	5504	GRILLE MOUSE FILTRE TRIAL SC/SH	SUPPORT FOAM FILTER TRIAL SC/SH	REJILLA ESPUMA FILTRO TRIAL SC/SH
37	5501	5501	5501	SUPPORT FILTRE TRIAL SC/SH	SUPPORT AIR FILTER BOX TRIAL SC/SH	SOPORTE FILTRO TRIAL SC/SH
38	5582	5582	5582	VIS FHC M5X16 DIN 7991 10.9 ZN NI TR	SCREW FHC M5X15 DIN 7991 10.9 ZN NI TR	TORNILLO FHC M5X15 DIN 7991 10.9 ZN NI TR
39	5635	5635	5635	VIS 3,5 X 12 BOITE FILTRE	SCREW 3,5 X 12 FILTER BOX	TORNILLO 3,5 X 12 CAJA DE FILTRO
40	5952	5952	5952	BOITE FILTRE SHERCO 2016	BODY FILTER SHERCO 2016	CAJA FILTRO SHERCO 2016
41	5503	5503	5503	RACCORD FILTRE CARBU SC/SH	MANIFOLD FILTER/CARBU SC/SH	TOBERA FILTRO CARBURADOR
42	5484	5484	5484	BAVETTE AM	REAR SHOCK COVER	PROTECTOR AMORTIGUADOR
43	5704	5704	5704	ADH DOUBLE FACE BAVETTE AMORTISSEUR	STICKER DOUBLE FACE REAR SHOCK COVER	ADH DOBLE CARA PROTECTOR AMORTIGUADOR
44	5527	5527	5527	VIS CARROSSERIE 6 X 16 NOIR	SCREW BHC 6 X 16 CARROSSERIE BLACK	TORNILLO CARROCERIA 6 X 16 NEGRO
45	4524	4524	4524	VIS BHC 6 X 12 ISO 7380 10.9 ZN NI TR CARR.	SCREW BHC 6 X 12 ISO 7380 10.9 ZN NI TR BODY	TOR BHC 6X12 ISO 7380 10.9 ZN NI TR CARROC
46	5581	5581	5581	VIS FHC M6X15 DIN 7991 10.9 ZN NOIR	SCREW FHC M6X15 DIN 7991 10.9 ZN BLACK	TORNILLO FHC M6X15 DIN 7991 10.9 ZN NEGR.
47	5771	5771	5771	ECROU CLIP M6 NOIR	NUT CLIP M6 BLACK	TUERCA CLIP M6 NEGRO
48	2035	2035	2035	LED ARRIERE 09 TR	REAR BULB 09 TR	LED TRASERO 09 TR
49	2049	2049	2049	FEU ARRIERE TR 09	REA LIGHT TR 09	LUZ TRASERA TR 09
50	2052	2052	2052	VIS BHC 5 X 20	SCREW BHC 5 X 20	TORNILLO 5 X 20 ULS
51	2048	2048	2048	SUPPORT FEU ARRIERE TR 09	FIXATION RED LIGHT TR 09	SOPORTE LUZ TRASER TR 09
52	2047	2047	2047	FIXATION SUPPORT IMMATRICULATION TR 09	FIXATION MATRICULATION SUPPORT TR 09	SUJECIÓN SOPORTE MATRICULA TR 09
53	2938	2938	2938	VIS CHC 6 X 12 0084 ZN NI TR - TL 180°	SCREW CHC 6 X 12 ZN NI TR - TL 180°	TORNILLO 6 X 12 DIN 912 ZN NI TR - TL 180°
54	6131	6131	6131	SUPPORT CAUTCHOUX BOITE FILTRE	AIR BOX RUBBER SUPPORT	SOPORTE GOMA CAJA FILTRO

### Adhesif / Stiker / Adhesivo



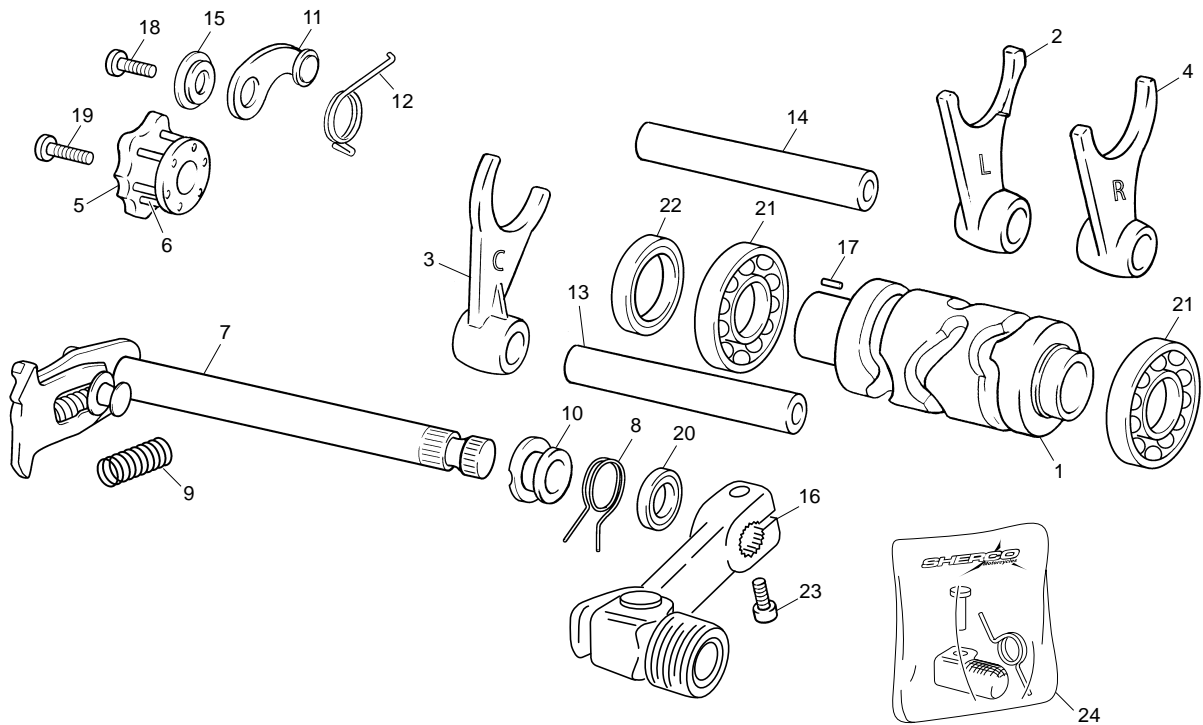
POS.	1.25	2.5	3.0	FRANÇAIS	ENGLISH	ESPAÑOL
1	6770	6770	6770	KIT ADH DECORATION BLISTER TR 17 SH	KIT STICKERS DECO BLISTER TR 17 SH	KIT ADH DECORACIÓN BLISTER TR 17 SH
2	6771	6771	6771	KIT ADH PROTECTION BLISTER TR 17 SH	KIT STICKERS PROTECTION BLISTER TR 17 SH	KIT ADH PROTECCIÓN BLISTER TR 17 SH
3	6772	6772	6772	KIT ADH ACCESOIRES BLISTER TR 17 SH	KIT STICKERS ACCESSORY BLISTER TR 17 SH	KIT ADH ACCESORIOS BLISTER TR 17 SH
4	6814	----	----	ADHESIF COURONE JEU 2017	STICKERS SPROKET SET 2017	ADHESIVO CORONA JUEGO 2017
5	----	6778	6778	ADHESIF COURONE JEU 2017	STICKERS SPROKET SET 2017	ADHESIVO CORONA JUEGO 2017

### Lanceur / Kickstarter assembly / Pedal arranque



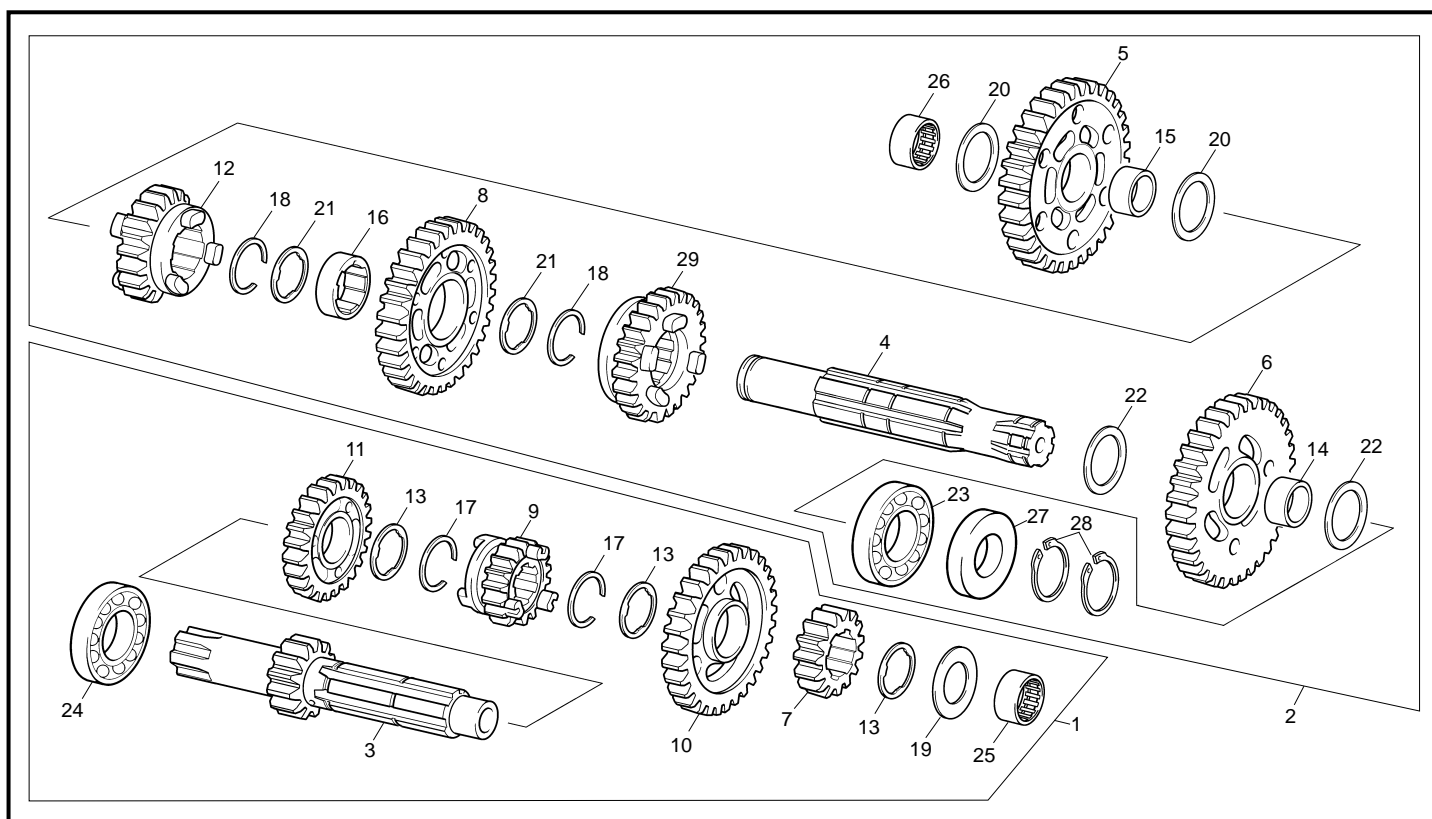
POS.	1.25	2.5	3.0	FRANÇAIS	ENGLISH	ESPAÑOL
1	M150	M150	M150	ARBRE LANCEUR	KICKSTART AXLE	EJE ARRANQUE
2	M151	M151	M151	PIGNON LIBRE DENT DE LOUP	KICKSTART PINION	PINON TRINQUETE
3	M152	M152	M152	COULISSEAU DENT DE LOUP	FREE RATCHET KICKSTART	TRINQUETE DESPLAZABLE
4	M153	M153	M153	ROUE INTERMEDIAIRE	IDLE GEAR KICKSTART	RUEDA INTERMEDIA
5	M155	M155	M155	RESSORT COULISSEAU D DE L	COMPRESSION SPRING	MUELLE TRINQUETE
6	M156	M156	M156	RESSORT DE RAPPEL KICK	KICK STARTING SPRING	MUELLE DE RETORNO
7	M157	M157	M157	DOUILLE CENTRAGE RESSORT	SPACER SPRING KICK START	CASQUILLO CENTRAJE MUELLE
8	3215	3215	3215	NOIX DE KICK WI	KICKSTART BOTTOM WI	MUNEQUILLA PEDAL ARRANQUE WI
9	6593	6593	6593	VIS FHC 8 X 20 1089 ZN NI TR - TL 180°	SCREW FHC 8 X 20 ZN NI TR - TL 180°	TORNILLO AVELLANADO M8X20 ZN NI TR-TL 180°
10	M160	M160	M160	BILLE 5.5	5.5 BALL	BOLA 5.5
11	M161	M161	M161	RESSORT DE POUSSEE BILLE	BALL SPRING	MUELLE PULSADOR BOLA
12	M163	M163	M163	RONDELLE INA AS 17X30X1	WASHER INA AS 17X30X1	ARANDELA INA AS 17X30X1
13	M164	M164	M164	RONDELLE ARBRE 17X25X1	WASHER 17X25X1	ARANDELA EJE ARRANQUE 17X25X1
14	6057	6057	6057	RONDELLE SERRAGE KICK	KICKSTART TIGHTENING	ARANDELA APRIETE PEDAL ARRANQUE
15	4157	4157	4157	BUTEE COULISSEAU D DE L LONG	TOP RATCHET LONG	TOPE TRINQUETE DESPLAZABLE LARGO
16	M167	M167	M167	CAGE AIGUILLE PIGNON DENT LOUP K17X21X10	NEEDLE BEARING K17X21X10	JAULA AGUJAS PINON TRINQUETE K17X21X10
17	M171	M171	M171	SEGMENT ARRET DIAN 17	RETAINING RING17	SIGER DIAMETRO 17
18	M169	M169	M169	VIS SANS TETE DU KICK	SCREW NO HEAD KICK LEVER	TORNILLO ALEN SIN CABEZA PEDAL ARRANQUE
19	M168	M168	M168	TORIQUE 14 X18X2	O RING 14X18X2	TORICA 14X18X2
20	M077	M077	M077	DOUILLE AIGUILLE HK1712B	NEEDLE BEARING 17X23X12	CASQUILLO DE AGUJAS 17X23X12
21	M165	M165	M165	RONDELLE ARBRE 16X25X1	WASHER 16X25X1	ARANDELA EJE ARRANQUE 16X25X1
22	M251	M251	M251	VIS CHC 6 X 16 0084 ZN NI TR	SCREW CHC 6 X 16 ZN NI TR	TORNILLO 6 X 16 DIN 912 ZN NI TR
23	4539	4539	4539	KICK COMPLET WI LARGE	KICK START WI LONG	PEDAL ARRANQUE WI LARGO
25	M400	M400	M400	VIS SANS TETE DU KICK M5X12	SCREW NO HEAD KICK LEVER M5X12	ESPARRAGO M5X12 DIN 913
26	6056	6056	6056	ENTRETOISE KICK	KICKSTART BUSHING	CASQUILLO PEDAL ARRANQUE
27	6396	6396	6396	DEFLECTEUR HUILE ED	OIL SPOILER ED	DEFLECTOR ACEITE ED

### Selecteur / Gear selector group / Selector cambio



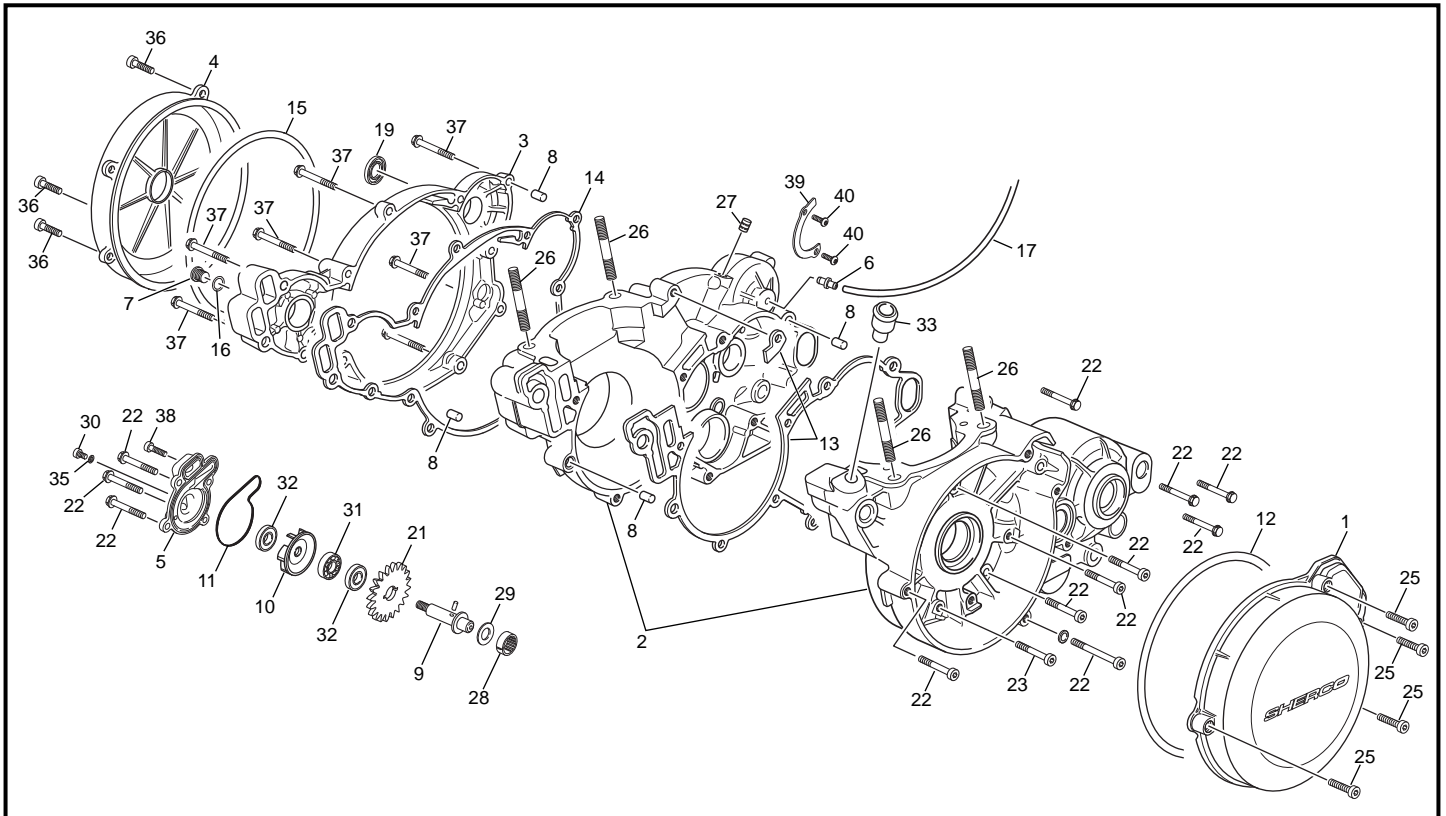
POS.	1.25	2.5	3.0	FRANÇAIS	ENGLISH	ESPAÑOL
1	M100	M100	M100	TAMBOUR DE SELECTION	SELECTOR DRUM	DESMODRÓMICO SELECTOR
2	M102	M102	M102	FOURCHETTE L	L FORK	HORQUILLA L
3	M103	M103	M103	FOURCHETTE C	C FORK	HORQUILLA C
4	M104	M104	M104	FOURCHETTE R	R FORK	HORQUILLA R
5	M105	M105	M105	ETOILE DE SELECTION CPL	INDEX SHIM	ESTRELLA SELECTOR
6	M106	M106	M106	PION ETOILE INA NRA 3X17.8	NEEDLE PIN NRA3X17.8	AGUJA DE LA ESTRELLA INA NRA3X17.8
7	M107	M107	M107	ARBRE DE SELECTEUR CPL	SHIFT SHAFT WITH PAWL ASSY	ARBOL SELECTOR
8	M110	M110	M110	RESSORT RAPPEL SELECTION	SPRING SHIFT LEVER	MUELLE RETORNO SELECTOR
9	M111	M111	M111	RESSORT RAPPEL COULISSEAU	SPRING COULISSEAU	MUELLE RETORNO ESCORPION
10	M113	M113	M113	DOUILLE CENTRAGE RESSORT RAPPEL	SPACER SPRING SHIFT LEVER	CASQUILLO CENTRAJE MUELLE RETORNO
11	M114	M114	M114	LEVIER DE VERROUILLAGE CPL	INDEX LEVER ASSY	PALANCA DE CIERRE SELECTOR
12	M117	M117	M117	RESSORT DE RAPPEL LEVIER VERROUIL	INDEX SPRING	MUELLE RETORNO PALANCA DE CIERRE
13	M118	M118	M118	AXE DE FOURCHETTE COURT	FORK SPINDLE	EJE DE HORQUILLA CORTO
14	M119	M119	M119	AXE DE FOURCHETTE LONG	FORK SPINDLE LONG	EJE DE HORQUILLA LARGO
15	M121	M121	M121	DOUILLE LEVIER VERROUILLAGE	SPACER INDEX LEVER	CASQUILLO PALANCA CIERRE
16	5611	5611	5611	SELECTEUR EXTERIEUR NOIRE F	SHIFT LEVER ASSY BLACK F	PALANCA DE CAMBIO NEGRA F
17	M122	M122	M122	PION CLAVETAGE ETOILE NRA3X11.8	NEEDLE PIN NRA3X11.8	AGUJA POSICIONADO ESTRELLA NR3X11.8
18	M251	M251	M251	VIS CHC 6 X 16 0084 ZN NI TR	SCREW CHC 6 X 16 ZN NI TR	TORNILLO 6 X 16 DIN 912 ZN NI TR
19	M253	M253	M253	VIS CHC 6 X 30 0084	SCREW CHC 6 X 30	TORNILLO 6 X 30 DIN 912
20	M126	M126	M126	JOINT LEVRE 12 X 19 X 5 DL	OIL SEAL 12X19X5	RETÉN 12X19X5 DL
21	M123	M123	M123	ROULEMENT 25X37X7 R61805	BEARING 25X37X7 R61805	COJINETE 25X37X7 R61805
22	M124	M124	M124	JOINT A LEVRE G28X37X4	OIL SEAL G28X37X4	RETÉN G28X37X4
23	M252	M252	M252	VIS CHC 6 X 20 0084 ZN NI TR	SCREW CHC 6 X 20 ZN NI TR	TORNILLO 6 X 20 DIN 912 ZN NI TR
24	5325	5325	5325	KIT REPARATION SELECTEUR	KIT REPARATION SELECTOR	KIT REPARACIÓN SELECTOR

### Boite a vitesses / Gear set / Cambio



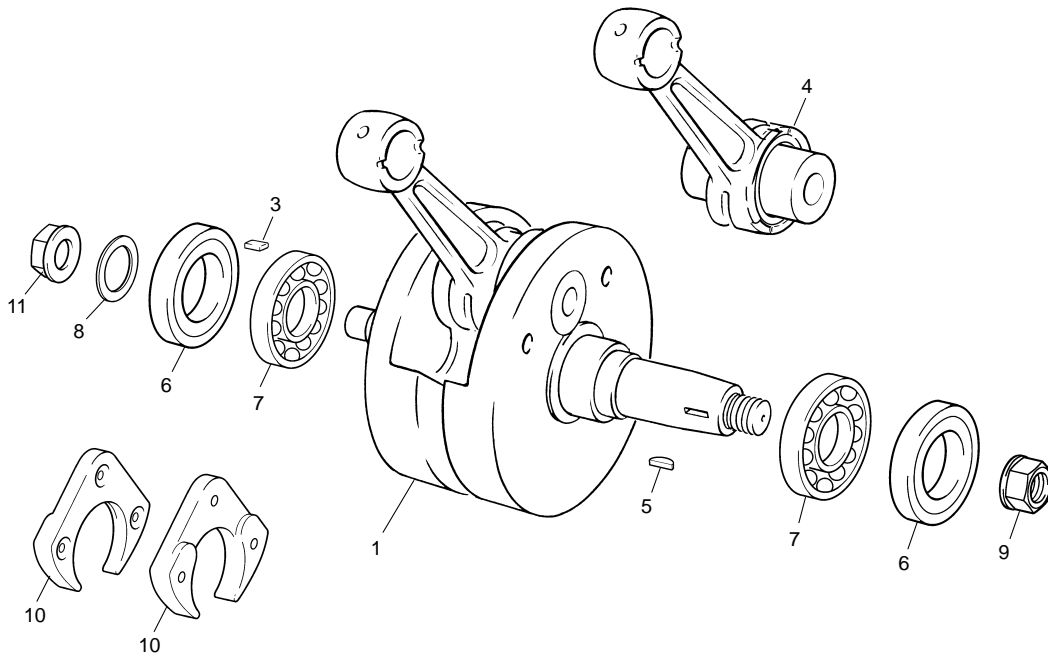
POS.	1.25	2.5	3.0	FRANÇAIS	ENGLISH	ESPAÑOL
1	6356	6356	6356	ENSEMBLE ARBRE PRIMAIRE ED	GROUP FIRST SHAFT WITH PINION ED	CONJUNTO EJE PRIMARIO CAMBIO ED
2	M391	M391	M391	ENSEMBLE ARBRE SECONDAIRE 03	GROUP SECOND SHAFT WITH PINION 03	ENSEMBLE ARBRE SECONDAIRE 03
3	6562	6562	6562	ARBRE PRIMAIRE ET PIGNON DE 1ERE ED	CLUTCH SHAFT ED	EJE PRIMARIO ED
4	M054	M054	M054	ARBRE SECONDAIRE	MAINSHAFT	EJE SECUNDARIO
5	M367	M367	M367	PIGNON SECONDAIRE 1ERE EVOL 2	PINION SECOND 1ERE EVOL 2	PINION SECOND 1ERE EVOL 2
6	M056	M056	M056	ROUE LIBRE DE 2EME	FREE PINION 2 EME	CORONA DE 2A
7	M057	M057	M057	PIGNON FIXE DE 2 EME	GEAR PINION 2EME	PINON DE 2A
8	M058	M058	M058	ROUE LIBRE DE 3 EME	FREE PINION 3 EME	CORONA DE 3A
9	M059	M059	M059	PIGNON BALADEUR DE 3EME	GEAR PINION 3 EME	PINON DESPLAZABLE 3A
10	M061	M061	M061	ROUE LIBRE DE 5 EME	GEAR PINION 5 EME	CORONA DE 5A
11	M062	M062	M062	PIGNON LIBRE DE 4 EME	FREE PINION 4 EME	PINON DE 4A
12	M063	M063	M063	ROUE BALADEUSE DE 4 EME	FREE PINION 4 EME	CORONA DESPLAZABLE DE 4A
13	M064	M064	M064	RONDILLE CRENEAUX 20X24X1	GEAR WASHER 20X24X1	ARANDELA ESTRIADA 20X24X1
14	M065	M065	M065	DOUILLE ANTI FRICTION 1ERE	BUSH 1ERE	CASQUILLO ANTI-FRICCION 1A
15	M066	M066	M066	DOUILLE ANTI FRICTION 2EME	BUSH 2 EME	CASQUILLO ANTI-FRICCION 2A
16	M067	M067	M067	DOUILLE ANTI FRICTION 3EME	BUSH 3 EME	CASQUILLO ANTI-FRICCION 3A
17	M068	M068	M068	SEGMENT ARRET SW 20	RETAINING SW 20	SEEGER SW 20
18	M069	M069	M069	SEGMENT ARRET SW 22	RETAINING SW 22	SIGER SW 22
19	M070	M070	M070	RONDILLE INA ARBRE PRIMAIRE 15X28X1	THRUST WASHER 15X28X1	ARANDELLA INA EJE PRIMARIO 15X28X1
20	M071	M071	M071	RONDILLE ARBRE SECONDAIRE 17X27X1	MAINSHAFT WASHER 17X27X1	ARANDELLA EJE SECUNDARIO 17X27X1
21	M072	M072	M072	RONDILLE CRENEAU ARBRE SECONDAIRE 22X28X1	WASHER 22X28X1	ARANDELLA ESTRIADA EJE SECUNDARIO 22X28X1
22	M073	M073	M073	RONDILLE ARBRE SECONDAIRE 20X27X1	MAINSHAFT WASHER 20X27X1	ARANDELA EJE SECUNDARIO 20X27X1
23	M074	M074	M074	ROULEMENT 20X47X14	BEARING 20X47X14	COJINETE 20X47X14
24	M075	M075	M075	ROULEMENT 20X47X14 2RSH	BEARING 20X47X14 2RSH	COJINETE 20X47X14 2RSH
25	M076	M076	M076	DOUILLE AIGUILLE 15X21X12	NEEDLE BEARING 15X21X12	CASQUILLO DE AGUJAS 15X21X12
26	M077	M077	M077	DOUILLE AIGUILLE HK1712B	NEEDLE BEARING 17X23X12	CASQUILLO DE AGUJAS 17X23X12
27	M078	M078	M078	JOINT DOUBLE LEVRE 20X30X7	OIL SEAL 20X30X7	RETEN DOBLE LABIO 20X30X7
28	M350	M350	M350	SEGMENT ARRET WR 20 SORTIE BOITE	SEGMENT ARRET WR 20	SEGMENT ARRET WR 20
29	M060	M060	M060	PIGNON BALADEUR DE 5 EME	FREE PINION 5 EME	PINON LIBRE 5A

### Groupe carters / Crankcase assembly / Grupo cárter



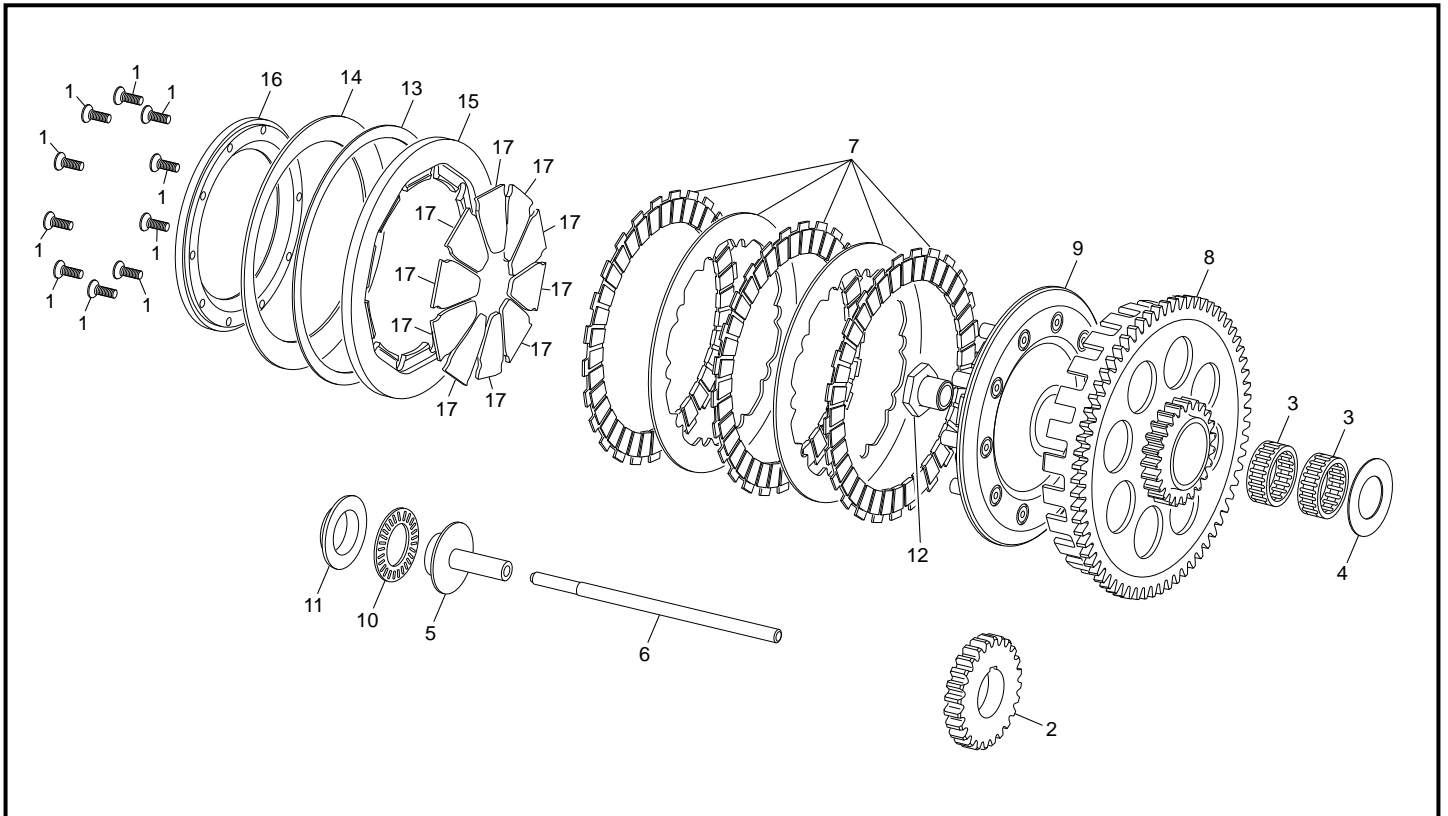
POS.	1.25	2.5	3.0	FRANÇAIS	ENGLISH	ESPAÑOL
1	3142	3142	3142	CARTER ALLUMAGE TR 11	IGNITION COVER TR 11	TAPA ENCENDIDO TR 11
2	6646	6387	6387	GP CARTERS CENTRAUX 125 CL ED	CRANCKCASES SET 125 LS ED	CARTERS CENTRALES 125 CL ED
3	3130	3130	3130	CARTER LATERAL DROITE TR 11	BOTTOM CLUTCH COVER TR 11	CARTER LATERAL DERECHO TR 11
4	3131	3131	3131	COUVERCLE EMBRAYAGE SHERCO NATURAL	CLUTCH COVER SHERCO NATURAL	TAPETA EMBRAGUE SHERCO NATURAL
5	3275	3275	3275	COUVERCLE POMPE EAU TR 11 ALU	WATER PUMP COVER TR 11 ALU	TAPA BOMBA AGUA TR 11 ALU
6	M016	M016	M016	RENIFLAR CARTER CENTRAL	AIR VENT CRANCKCASES	DEPRESOR CARTERS
7	4544	4544	4544	BOUCHON REMPLISSAGE HUILE NOIR	CARTER FILTER TAP BLACK	TAPON LLENADO ACEITE CARTER NEGRO
8	M022	M022	M022	DOUILLE CENTRAGE CARTER	DOUILLE CENTRAGE CARTER	CASQUILLO CENTRADOR CARTER
9	M363	M363	M363	AXE POMPE EAU EVOLUTION 3	WATER PUMP AXELE EVOLUTION 3	EJE BOMBA AGUA EVOLUTION 3
10	M351	M351	M351	TURBINE POMPE EAU EVOLUTION2	WATERPUMP TURBINE EVOLUTION2	TURBINA BOMBA AGUA EVOLUTION2
11	M033	3133	3133	JOINT TORIQUE COUVERCLE POMPE 37X2	O-RING WATER PUMP COVER 37X2	JUNTA TORICA TAPA BOMBA AGUA 37X2
12	M034	3158	3158	JOINT TORIQUE COUVERCLE ALLUMAGE 144X2	O-RING IGNITION COVER 144X2	JUNTA TORICA TAPA ENCENDIDO 144X2
13	M220	3151	3134	JOINT CARTER CENTRAL 125/200CC	CENTRAL CRANCKCASE GASKET 125/200CC	JUNTA CARTER CENTRAL 125/200CC
14	3135	3135	3135	JOINT CARTER LATERAL TR 11	CLUTCH GASKET TR 11	JUNTA CARTER LATERAL TR 11
15	M045	3141	3141	JOINT TORIQUE 156 X2	O-RING 155X2	JUNTA TORICA 155X2
16	M162	M162	M162	TORIQUE 10X2.5 BOUCHON HUILE	O-RING 10X2.5 OIL PLUG	TORICA 10X2.5 TAPON ACEITE
17	M017	M017	M017	DURITE RENIFLARD 3X5	TUBE AIR VENT CRANCKCASES 3X5	TUBO DEPRESOR 3X5
19	3128	3128	3128	JOINT DOUBLE LEVRES 17X24X5	OIL SEAL 17X24X5	RETEN DOBLE LABIO 17X24X5
21	4920	4920	4920	PIGNON Z13 POMPE EAU NYLON FCC	PINION Z13 WATER PUMP NYLON FCC	PIGNON Z13 BOMBA AGUA NYLON FCC
22	0549	0549	0549	VIS TH EP 6 X 45	SCREW TH EP 6 X 45	TORNILLO TH EP 6 X 45
23	3235	3235	3235	VIS TH EP 6 X 50 ZN NI TR	SCREW TH EP M6 X50 ZN NI TR	TORNILLO TH EP M6 X50 ZN NI TR
25	3269	3269	3269	VIS CHC 5 X 20 0084	SCREW CHC 5 X 20	TORNILLO 5 X 20 ALLEN
26	M291	M291	M291	GOUJON DE CYLINDRE 8 X 46	STUD CYLINDRE 8 X 46	ESPARRAGO CILINDRO 8 X 46
27	.....	2386	2386	BOUCHON CANALISATION HUILE 6X8	LUBRICATION CAP 6X8	TAPA CANALIZACION 6X8
28	M029	M029	M029	ROULEMENT AIGUILLE POMPE EAU HK0808	WATER PUMP NEEDLE BEARING HK 0808	COJINETE AGUJAS BOMBA AGUA HK 0808
29	M049	M049	M049	RONDELLE CALAGE 8 X 14 X 0.5	WASHER 8X14X0.5	ARANDELA ACERADA 8 X 14 X 0.5
30	3566	3566	3566	VIS CHC M5X10 DIN 912 8.8 ZB	SCREW CHC M5X10 DIN 912 8.8 ZB	TORNILLO CHC M5X10 DIN 912 8.8 ZB
31	M027	M027	M027	ROULEMENT BILLE POMPE EAU 608.2RSH	WATER PUMP BEARING 608.2RSH	COJINETE BOMBA AGUA 608.2RSH
32	M031	M031	M031	JOINT POMPE A EAU 8X20X5DL	WATER PUMP SEAL 8X20X5DL	RETEN BOMBA AGUA 8X20X5DL
33	3143	3143	3143	RACCORD DURITE CARTER RADIATEUR 11	WATER CONEXION 11	CONECTOR TUBO AGUA CARTER A RADIA. 11
35	M277	M277	M277	RONDELLE ALU M5 0463 5X10	GASKET RING X5	ARANDELA ALUMINIO X5
36	0550	0550	0550	VIS TH EP 6 X 55	SCREW TH EP 6 X 55	TORNILLO TH EP 6 X 55
37	0970	0970	0970	VIS TH EP 6 X 25	SCREW TH EP M6 X 25	TORNILLO TH EP M6 X 25
38	0546	0546	0546	VIS TH EP 6 X 20	SCREW TH EP 6 X 20	TORNILLO TH EP 6 X 20
39	2027	2027	2027	TOLE SUPPORT ROULEMENT	STEEL SUPPORT BEARING	PLANCHA SOPORTE COJINETE
40	M278	M278	M278	VIS BHC 5 X10 1093 ZN NI TR	SCREW BHC 5X10 ZN NI TR	TORNILLO 5 X 10 ULS ZN NI T

**Villebrequin assemble / Crankshaft assembly / Cigüeñal biela**



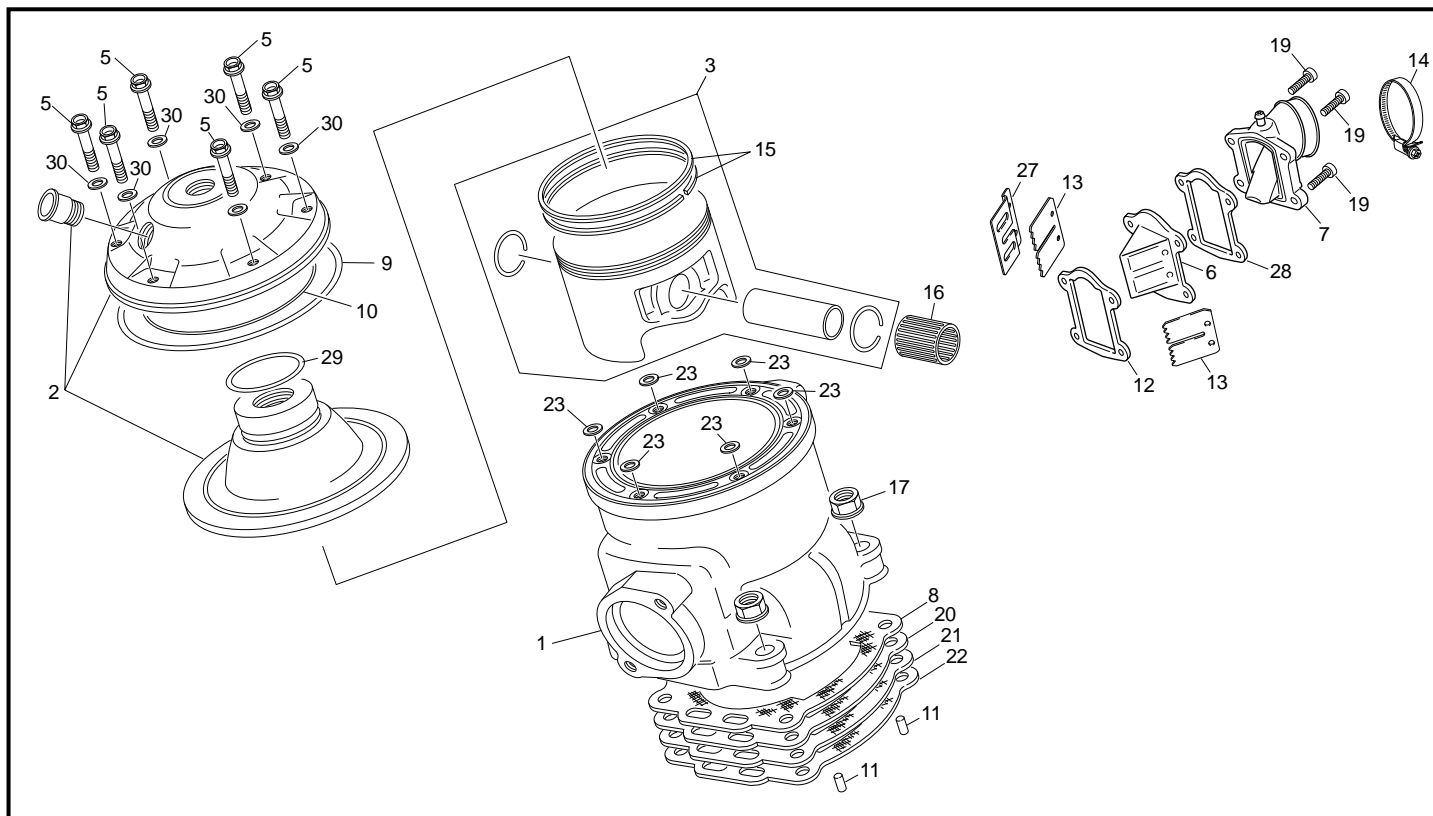
POS.	1.25	2.5	3.0	FRANÇAIS	ENGLISH	ESPAÑOL
<b>1</b>	4906	3152	3152	VILEBREQUIN COMPLET 125/200CC CL	CRANCK SHAFT 125/200CC LS	CIGÜENAL COMPLETO 125/200CC CL
<b>3</b>	M204	M204	M204	CLAVETTE PIGNON PRIMAIRE	WOODRUFF KEY PRIMARY DRIVE	CHAVETA PIÑÓN PRIMARIA
<b>4</b>	R212	R021	R021	KIT BIELLE 125/200	ROD KIT 125/200	KIT BIELA 125/200
<b>5</b>	M023	M023	M023	CLAVETTE DEMI LUNE VILO	WOODRUFF KEY	CHAVETA ENCENDIDO
<b>6</b>	4905	M032	M032	JOINT SPIE VILO CR 25X40X7 CRW1 R	CRANKSAFT SEAL CR 25X40X7 CRW1 R	RETÉN CIGUENAL CR 25X40X7 CRW1 R
<b>7</b>	M028	M028	M028	ROULEMENT BILLE VILO 6206.2RSTN9/C4	CRANKSHAFT BEARING 6206.2RSTN9 C4	COJINETE CIGUENAL 6206.2RSTN9 C4
<b>8</b>	M206	M206	M206	RONDELLE BELLEVILLE 14.2X28X1.5 REF0887	SPRING WASHER	ARANDELA CÓNICA 14.2,28X1.5
<b>9</b>	M295	M295	M295	ECROU 14 X 125	HEX NUT M14 X 125	TUERCA M14 X 125
<b>10</b>	C309	C309	C309	BOUCHON PLASTIC DE VILO TRIAL	HANDCRAFT PLASTIC PLUG TRIAL	TAPÓN INTERNO DE CIGÜENAL TRIAL
<b>11</b>	3144	3144	3144	ECROU 14 X 125 H 7.5 TR11	HEX NUT M14 X 125 H 7.5 TR11	TUERCA M14 X 125 H 7.5 TR11

### Embrayage / Clutch / Embrague



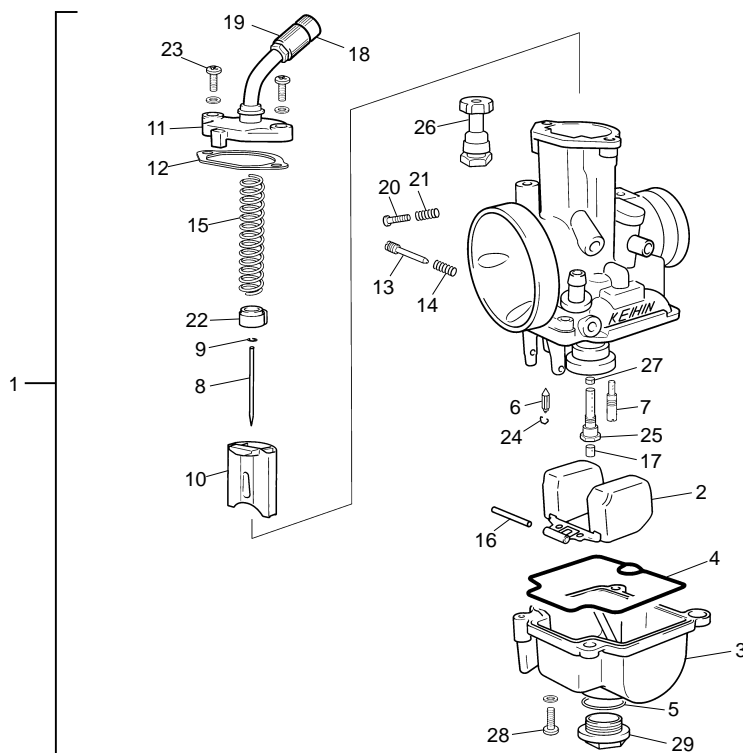
POS.	1.25	2.5	3.0	FRANÇAIS	ENGLISH	ESPAÑOL
1	6362	6362	6362	VIS TETE FRAISEE TORX A4 M4X12	SCREW TORX A4 M4X12	TORNILLO AVELLANADO TORX A4 M4X12
2	6369	6369	6369	PIGNON PRIMAIRE ED	PRIMARY TRANSMISSION GEAR ED	PIÑON PRIMARIA ED
3	6403	6403	6403	CAGE A AIGUILLE K25X29X10 SORT (0-2)	BEARING K25X29X10 SORT (0-2)	CAJA AGUJAS K25X29X10 SORT (0-2)
4	6358	6358	6358	RONDILLE DE CALAGE NOIX	WASHER	ARANDELA DE GALGADO NUEZ
5	6354	6354	6354	POUSSOIR AXIAL ED	CLUTH PIN ED	EMPUJADOR AXIAL ED
6	6345	6345	6345	TIJE POUSEE ED	CLUTCH PUSH ROD ED	VARILLA EMBRAGUE ED
7	6342	6342	6342	PAQUET DISQUES ED	CLUTCH DISK ASSY ED	PAQUETE DISCOS ED
8	6348	6348	6348	CLOCHE EMBRAYAGE ED	CLUTCH BASKET ED	CAMPANA EMBRAGUE ED
9	6360	6360	6360	NOIX EMB ASSEMBLEE	CLUTCH HUB ASSY	CONJUNTO CUBO EMBRAGUE
10	6355	6355	6355	BUTEE A AIGUILLE AXK-2035	BEARING AXK-2035	CASQUILLO AGUJAS AXK-2035
11	6340	6340	6340	COUPELLE D' ACCIONEMENT ED	ACTUATING CUP ED	CORONA DE ACCIONAMIENTO
12	6353	6353	6353	VIS NOIX EMBRAYAGE ED	CLUTCH HUB SCREW ED	TORNILLO BUJE EMBRAGUE ED
13	6351	6351	6351	RONDILLE DE PRECHARGE 1.2	PRECHARGE WASHER 1.2	ARANDELA DE PRECARGA 1.2
14	6350	6350	6350	RESSORT DIAPHRAGME ED	DIAPHRAGM SPRING ED	MUELLE DIAFRAGMA ED
15	6346	6346	6346	PLATEAU PRESSEUR ED	CLUTCH PRESSURE PLATE ED	PLATO EMPUJADOR ED
16	6936	----	----	COUPELLE RESSORT ED -0.4 MM	SPRING RETAINER ED -0.4 MM	RETENEDOR MUELLE ED -0.4 MM
16	----	6899	6899	COUPELLE RESSORT ED -0.3 MM	SPRING RETAINER ED -0.3 MM	RETENEDOR MUELLE ED -0.3 MM
17	6341	6341	6341	LEVIER D' ACCIONEMENT ED	CLUTCH LEVER ED	LEVA DE ACCIONAMIENTO ED

### Cylindre / Cylinder / Cilindro

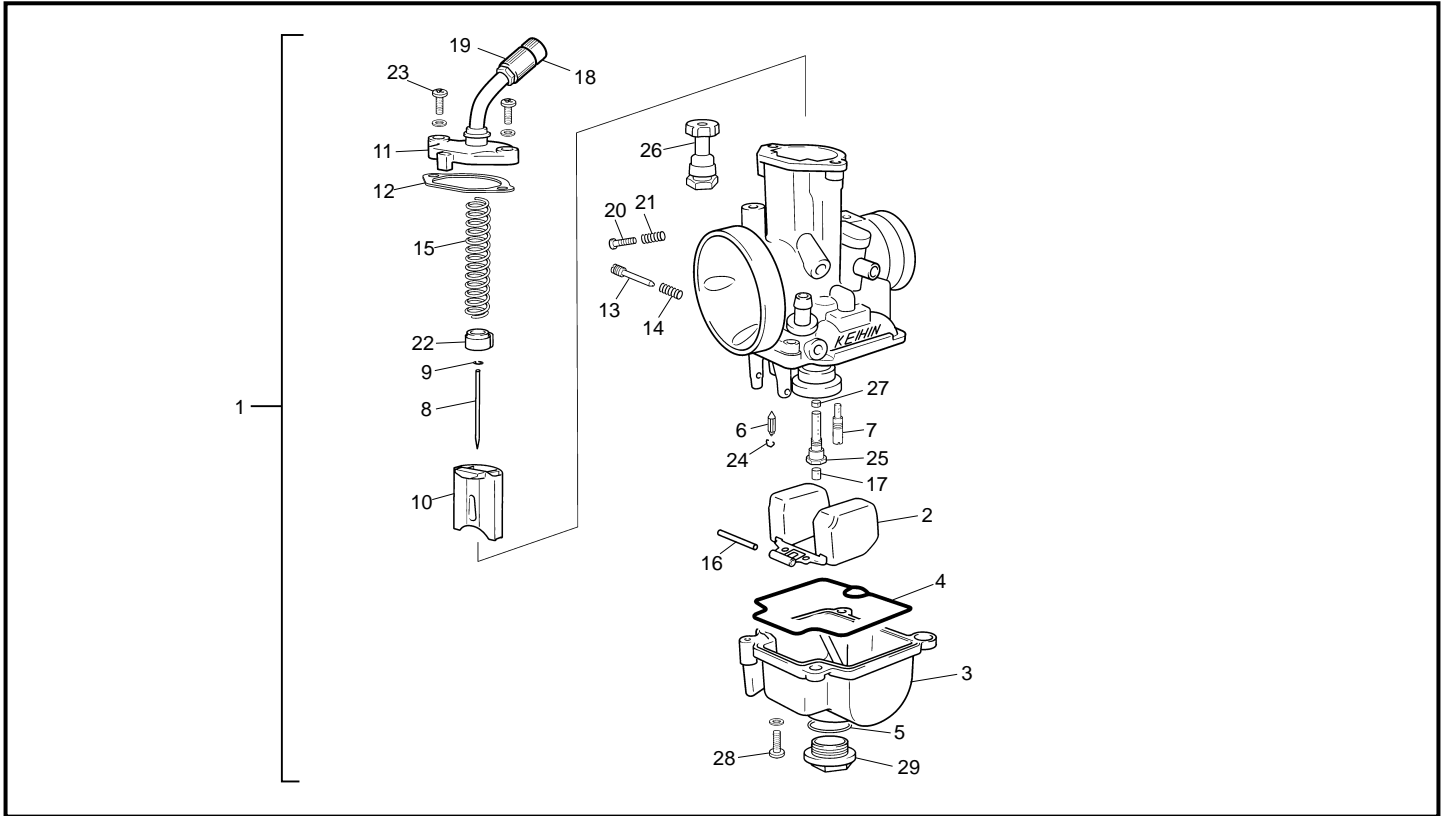


POS.	1.25	2.5	3.0	FRANÇAIS	ENGLISH	ESPAÑOL
1	4909	3123	3217	CYLINDRE 14 TR CL	CILYNDER 14 TR LS	CILINDRO 14 TR CL
2	5637	6768	6769	CULASSE COMPLETE TR NOIR S3 SHERCO	CYLINDER HEAD SET TR BLACK S3 SHERCO	CULATA COMPLETA TR NEGRA S3 SHERCO
3	4908	M009	3218	PISTON CPL "A" CL	PISTON "A" LS	PISTÓN "A" CL
3	NEW	M586	3339	PISTON CPL "B" CL	PISTON "B" LS	PISTÓN "B" CL
3	NEW	M587	----	PISTON CPL "C" CL	PISTON "C" LS	PISTÓN "C" CL
3	NEW	M588	----	PISTON CPL "D" CL	PISTON "D" LS	PISTÓN "D" CL
5	0547	0547	0547	VIS TH EP 6 X 30	SCREW TH EP 6 X 30	TORNILLO TH EP 6 X 30
6	3125	3125	3125	BOITE A CLAPETS VERTICAL 2011	REEDS CASE VERTICAL 2011	CAJA DE LAMINAS VERTICAL 2011
7	4997	4996	4997	PIPE ADMISION 2014 CARB 28	ADMISION PIPE 2014 CARB 28	TOBERA ADMISIÓN 2014 CARB 28
8	5111	3025	3025	JOINT EMBASE SILICONE CYLINDRE 0.5 125CC LC	CILYNDER GASKET SILICON 0.5 125CC LS	JUNTA CILINDRO SILICONA 0.5 125CC CL
9	M038	M038	M038	JOINT TORIQUE CULASSE (EXTERIEUR)	CILYNDER HEAD O-RING (OUTER)	JUNTA TÓRICA CULATA (EXTERIOR)
10	3399	M039	M039	JOINT TORIQUE CULASSE (INTÉRIEUR)	CILYNDER HEAD O-RING (INNER)	JUNTA TÓRICA CULATA (INTERIOR)
11	0200	0200	0200	AIGUILLES 4X9.8 NRB	NEEDL 4X9.8 NRB	AGUJA 4X9.8 NRB
12	3136	3136	3136	JOINT BOITE CLAPET FOAMED TR 11	REEDS CASE GASKET FOAMED TR 11	JUNTA CAJA LAMINAS FOAMED TR 11
13	R022	R022	R022	CLAPET RECHANGE UNITEE	REED VALVE SET	LAMINAS RECAMBIO UNIT
14	3287	3287	3287	COLLIER MIKALOR 44	COLLARD MIKALOR 44	ABRAZADERA MIKALOR 44
15	----	R442	3219	JEUX SEGMENTS	SET RINGS	JUEGO AROS
15	5658	----	----	JEUX SEGMENTS 125CC CL	SET RINGS 125CC CL	JUEGO AROS 125CC CL
16	M241	M248	M248	CAGE AIGUILLE PISTON 125 KBK 16X20X20	NEEDLE BEARING KBK 125 16X20X20	JAULA AGUJAS PISTÓN 125 KBK 16X20X20
17	M272	M272	M272	ECROU EMBASE X8 0692	COLLAR HEX NUT M8	TUERCA CON VALONA M8
19	3269	3269	3269	VIS CHC 5 X 20 0084	SCREW CHC 5 X 20	TORNILLO 5 X 20 ALLEN
20	5114	3189	3189	JOINT EMBASE CYLINDRE 125CC LC 0.2MM	CILYNDER GASKET 125CC LS 0.2MM	JUNTA CILINDRO 125CC CL 0.2MM
21	5113	3190	3190	JOINT EMBASE CYLINDRE 125CC LC 0.3MM	CILYNDER GASKET 125CC LS 0.3MM	JUNTA CILINDRO 125CC CL 0.3MM
22	5112	3191	3191	JOINT EMBASE CYLINDRE 125CC LC 0.4MM	CILYNDER GASKET 125CC LS 0.4MM	JUNTA CILINDRO 125CC CL 0.4MM
23	M040	M040	----	JOINT TORIQUE CYLINDRE 5,60 X 9,20 X 1,80	CILYNDER O-RING BOLT 5,60 X 9,20 X 1,80	JUNTA TORICA CILINDRO 5,60 X 9,20 X 1,80
27	3994	3994	3994	BUTEE BOITE A CLAPETS VERTICAL 2011	STOPER REED VALVE CASE VERTICAL 2011	TOPE CAJA DE LAMINAS VERTICAL 2011
28	5932	5932	5932	JOINT PIPE ADMISION FOAMED 1.10	REEDS CASE GASKET FOAMED 1.10	JUNTA TOBERA FOAMED 1.10
29	6581	6581	6581	JOINT TOR. CULASSE 27 X 30X 1,50 VITON75	CILYNDER HEAD O-RING 27 X 30X 1,50 VITON75	JUNTA TÓR. CULATA 27 X 30X 1,50 VITON75
30	----	----	2390	WASHER COPPER 6 X 12 X1.5	RONDELLE CUIVRE 6 X 12 X 1.5	ARANDELA COBRE 6 X 12 X 1.5

### Carburateur / Carburetor / Carburador KEIHIN



POS.	1.25	2.5	3.0	FRANÇAIS	ENGLISH	ESPAÑOL
1	1123	1123	1123	CARBUTATEUR KEIHIN TRIAL 2T	CARBURETOR KEIHIN TRIAL 2T	CARBURADOR KEIHIN TRIAL 2T
2	1330	1330	1330	FLOTEUR DE CARBU KEIHIN	CARBURATOR FLOTEUR KEIHIN	BOYA CARBU KEIHIN
3	1331	1331	1331	CUVE CARBURATEUR KEIHIN	CARBURATOR CUVE KEIHIN	CUBA CARBURADOR KEIHIN
4	1332	1332	1332	JOINT CUVE CARBURETOR KEHIN	FLOT CHAMBER GASKET	JUNTA CUBA CARBURADOR KEIHIN
5	1334	1334	1334	JOINT TORIQUE CUVE	O-RING FLOAT	TÓRICA CUBETA
6	1335	1335	1335	POINTEAU CARBU KEIHIN	POINTEAU CARBU KEIHIN	VALVOLA AGUJA KEIHIN
7	1327	1327	1327	GICLEUR RALENTI 50 KEIHIN	PILOT JET 50 KEIHIN	CHICLÉ RALENTÍ 50 KEIHIN
7	1336	1336	1336	GICLEUR RALENTI 45 KEIHIN	PILOT JET 45 KEIHIN	CHICLÉ RALENTÍ 45 KEIHIN
7	1337	1337	1337	GICLEUR RALENTI 52 KEIHIN	PILOT JET 52 KEIHIN	CHICLÉ RALENTÍ 52 KEIHIN
7	1338	1338	1338	GICLEUR RALENTI 55 KEIHIN	PILOT JET 55 KEIHIN	CHICLÉ RALENTÍ 55 KEIHIN
7	1339	1339	1339	GICLEUR RALENTI 48 KEIHIN	PILOT JET 48 KEIHIN	CHICLÉ RALENTÍ 48 KEIHIN
7	1403	1403	1403	GICLEUR RALENTI 42 KEIHIN	PILOT JET 42 KEIHIN	CHICLÉ RALENTÍ 42 KEIHIN
8	1340	1340	1340	AIGUILLE CARBU KEIHIN JFH	AIGUILLE CARBU JFH	AGUJA CARBURADOR JFH
8	1341	1341	1341	AIGUILLE CARBU KEIHIN JJH	AIGUILLE CARBU JJH	AGUJA CARBURADOR JJH
9	1342	1342	1342	CLIP AIGUILLE CARBU KEIHIN	CLIP AIGUILLE CARBU KEIHIN	CLIP AGUJA CARBURADOR KEIHIN
10	1326	1326	1326	BOISSEAU KEIHIN 3,5 TR	CARBURATOR VALVE KEIHIN 3,5 TR	CAMPANA KEIHIN 3,5 TR
10	1343	1343	1343	BOISSEAU KEIHIN 4,0 TR	CARBURATOR VALVE KEIHIN 4,0 TR	CAMPANA KEIHIN 4.0 TR
11	1344	1344	1344	COUVERCLE BOISSEAU KEIHIN	CARBURATOR COVER KEIHIN	TAPA CARBURADOR KEIHIN
12	1345	1345	1345	COUVERCLE BOISSEAU GASKET KEIHIN	JOINT COVER KEIHIN	JUNTA TAPA CARBURADOR KEIHIN
13	1346	1346	1346	VIS REGUL ESSENCE CARBU KEIHIN	SCREW REGUL PETROL CARBU KEIHIN	TORNILLO AIRE KEIHIN
14	1347	1347	1347	RESSORT VIS ESSENCE CARBU KEIHIN	SPRING SCREW REGUL PETROL CARBU KEIHIN	MUELLE TORNILLO AIRE KEIHIN
15	1348	1348	1348	RESSORT CARBURATEUR 82 X 12,8 SPS	SPRING CARBURETOR 82 X 12,8 SPS	MUELLE CARBURADOR 82 X 12,8 SPS
16	1351	1351	1351	AXE BALANCIER FLOTEUR CARBU KEIHIN	PIN BALANCIER FLOTEUR CARBU KEIHIN	EJE BALANCÍN FLOTADOR CARBURADOR KEIHIN
17	1247	1247	1247	GICLEUR PRINCIPAL 125 KEIHIN	MAIN JET 125 KEIHIN	CHICLÉ PRINCIPAL 125 KEIHIN
17	1248	1248	1248	GICLEUR PRINCIPAL 122 KEIHIN	MAIN JET 122 KEIHIN	CHICLÉ PRINCIPAL 122 KEIHIN
17	1352	1352	1352	GICLEUR PRINCIPAL 118 KEIHIN	MAIN JET 118 KEIHIN	CHICLÉ PRINCIPAL 118 KEIHIN
17	1353	1353	1353	GICLEUR PRINCIPAL 120 KEIHIN	MAIN JET 120 KEIHIN	CHICLÉ PRINCIPAL 120 KEIHIN
17	1402	1402	1402	GICLEUR PRINCIPAL 115 KEIHIN	MAIN JET 115 KEIHIN	CHICLÉ PRINCIPAL 115 KEIHIN
18	1354	1354	1354	ADAPTE CÂBLE KEIHIN	CABLE ADJUSTING BOLT KEIHIN	AJUSTE CABLE GAS KEIHIN
19	1355	1355	1355	ECROU ADAPTE CÂBLE KEIHIN	NUT CABLE ADJUSTING BOLT KEIHIN	TUERCA AJUSTE CABLE GAS KEIHIN
20	1356	1356	1356	VIS REGUL GAS CARBU KEIHIN	SCREW REGUL GAS KEIHIN	TORNILLO RALENTÍ KEIHIN
21	1357	1357	1357	RESSORT VIS REGUL GAS CARBU KEIHIN	SPRING SCREW REGUL GAS KEIHIN	MUELLE TORNILLO RALENTÍ KEIHIN
22	1358	1358	1358	DOUILLE NYLON RESOT GAZ	FOOTREST NYLON GAS	CASQUILLO NYLON MUELLE KEIHIN
23	1359	1359	1359	VIS FIXATION COUVERCLE BOISSEUR KEIHIN	SCREW COVER KEIHIN	TORNILLO FIJACIÓN TAPA CAMPANA KEIHIN
24	1349	1349	1349	CLIP VALVE KEIHIN	CLIP FLOAT VALVE KEIHIN	CLIP VÁLVULA KEIHIN

**Carburateur / Carburetor / Carburador KEIHIN**


POS.	1.25	2.5	3.0	FRANÇAIS	ENGLISH	ESPAÑOL
25	1360	1360	1360	NEEDLE JET KEIHIN	NEEDLE JET KEIHIN	NEEDLE JET KEIHIN
26	1329	1329	1329	GROUPE STARTER KEIHIN	CHOKE SET REPLACEMENT KEIHIN	CTO. STÁRTER RECAMBIO KEIHIN
27	1361	1361	1361	NEEDLE JET HOLDER KEIHIN	NEEDLE JET HOLDER KEIHIN	NEEDLE JET HOLDER KEIHIN
28	1350	1350	1350	VIS FIXATION CUVE KEIHIN	SCRE WFLOT KHEIHIN	TORNILLO FIJACIÓN CUBA KEIHIN
29	1332	1332	1332	JOINT CUVE CARBURETOR KEHIN	FLOT CHAMBER GASKET	JUNTA CUBA CARBURADOR KEIHIN

# SHERCO

Motorcycles



PLAY WITH GRAVITY

2017

SHERCO  
[www.sherco.com](http://www.sherco.com)