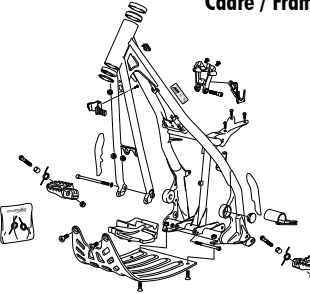
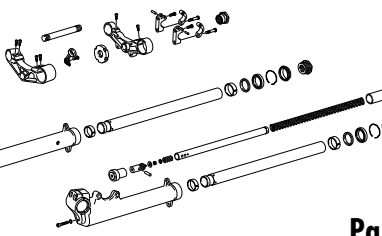
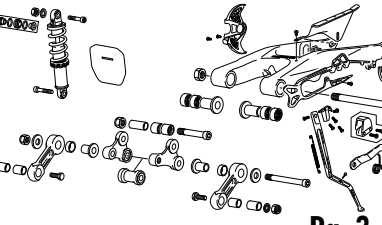
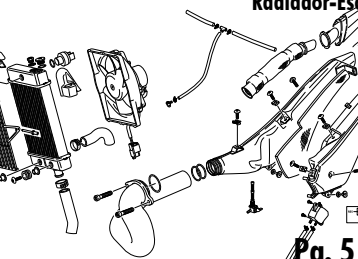
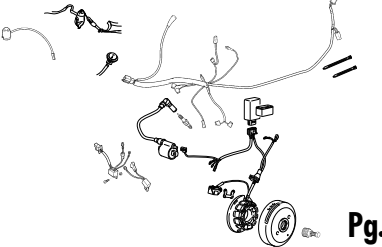
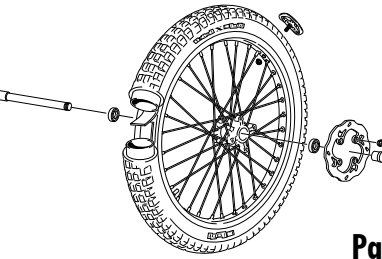
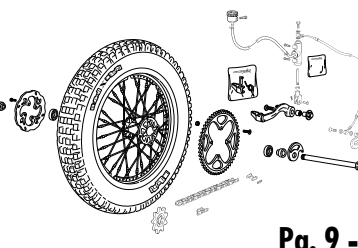
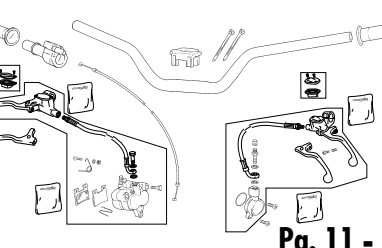
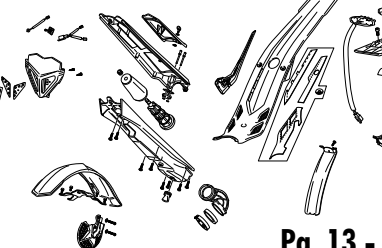

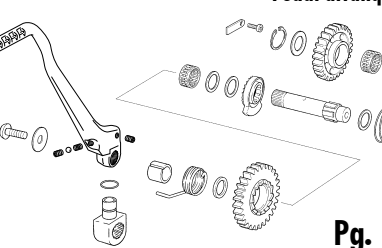
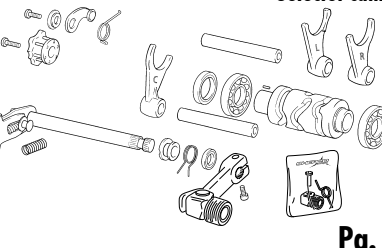
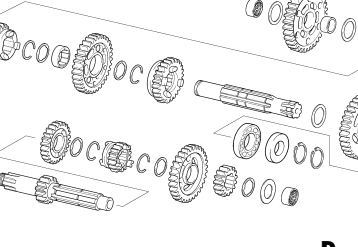
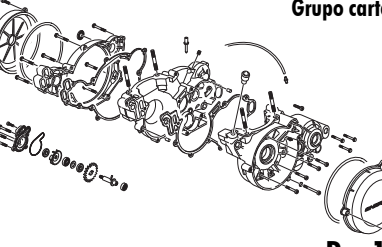
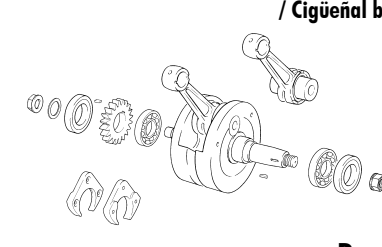
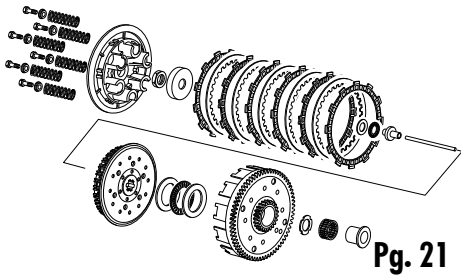


Index / Index / Índice

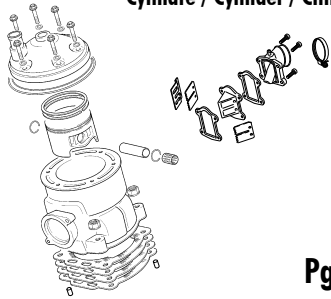
<p>1 Cadre / Frame / Chasis</p>  <p>Pg. 1</p>	<p>2 Fourche / Fork / Horquilla</p>  <p>Pg. 2</p>	<p>3 Amortisseur - Bras oscillant / Rear Shock - Swingarm / Amortiguador - Basculante</p>  <p>Pg. 3 - 4</p>
<p>4 Radiateur-Échappement / Radiator-Exhaust / Radiador-Escape</p>  <p>Pg. 5 - 6</p>	<p>5 Faisceau électrique / Electrical system / Instalación eléctrica</p>  <p>Pg. 7</p>	<p>6 Roue avant / Front wheel / Rueda delantera</p>  <p>Pg. 8</p>
<p>7 Roue arrière / Rear wheel / Rueda trasera</p>  <p>Pg. 9 - 10</p>	<p>8 Guidon / Handlebar / Manillar</p>  <p>Pg. 11 - 12</p>	<p>9 Plastiques / Plastics / Plásticos</p>  <p>Pg. 13 - 14</p>
<p>10 Adhesif / Stiker / Adhesivos</p>  <p>Pg. 15</p>	<p>11 Lanceur / Kickstarter assembly / Pedal arranque</p>  <p>Pg. 16</p>	<p>12 Selecteur / Gear selector group / Selector cambio</p>  <p>Pg. 17</p>
<p>13 Boite a vitesses / Gear set / Cambio</p>  <p>Pg. 18</p>	<p>14 Groupe carters / Crankcase assembly / Grupo carters</p>  <p>Pg. 19</p>	<p>15 Villebrequin assemble / Crankshaft assembly / Cigüeñal biela</p>  <p>Pg. 20</p>

16 Embrayage / Clutch / Embrague



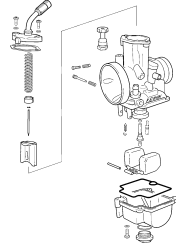
Pg. 21

17 Cylindre / Cylinder / Cilindro

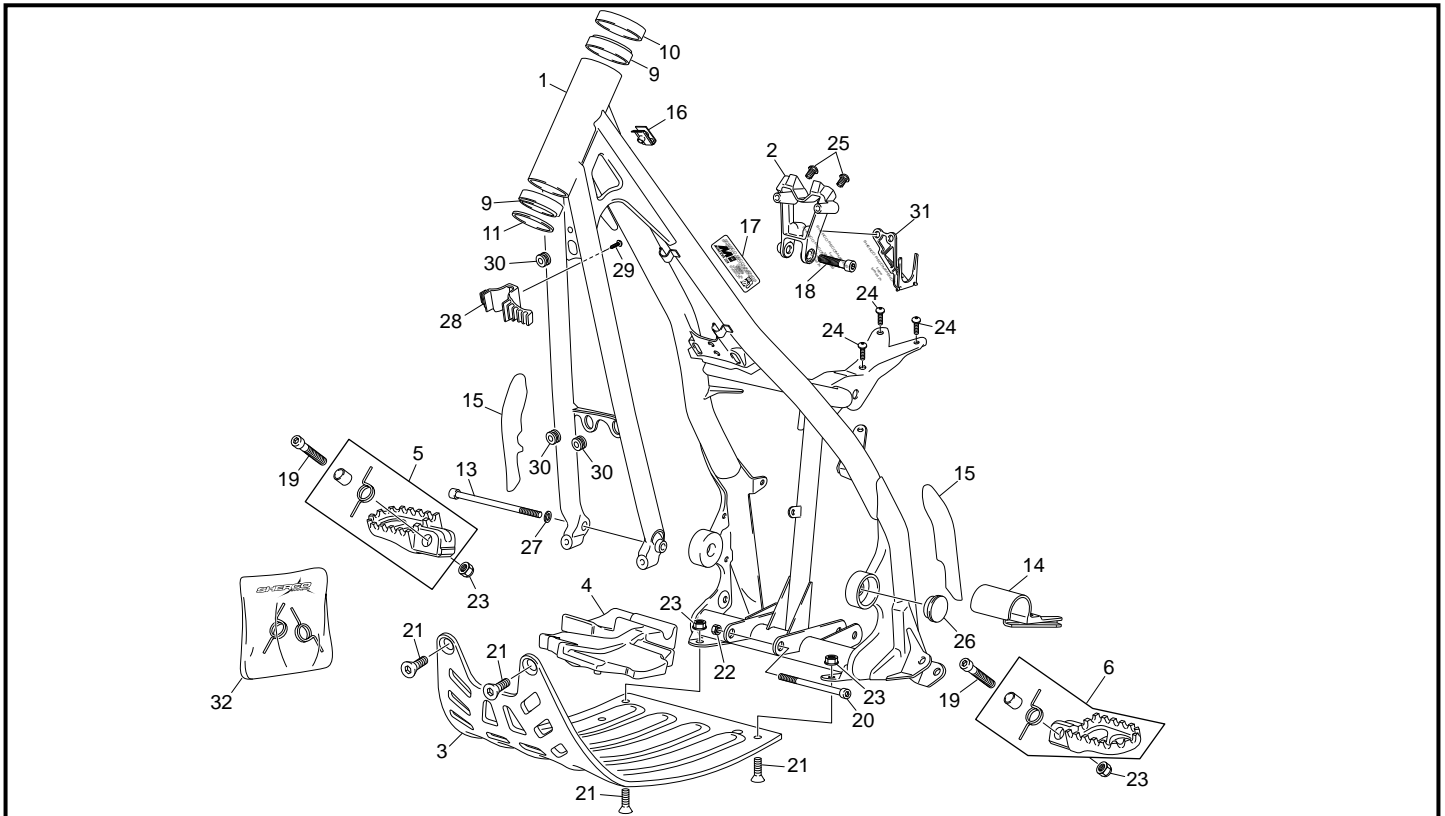


Pg. 22

18 Carburateur / Carburetor / Carburador KEIHIN

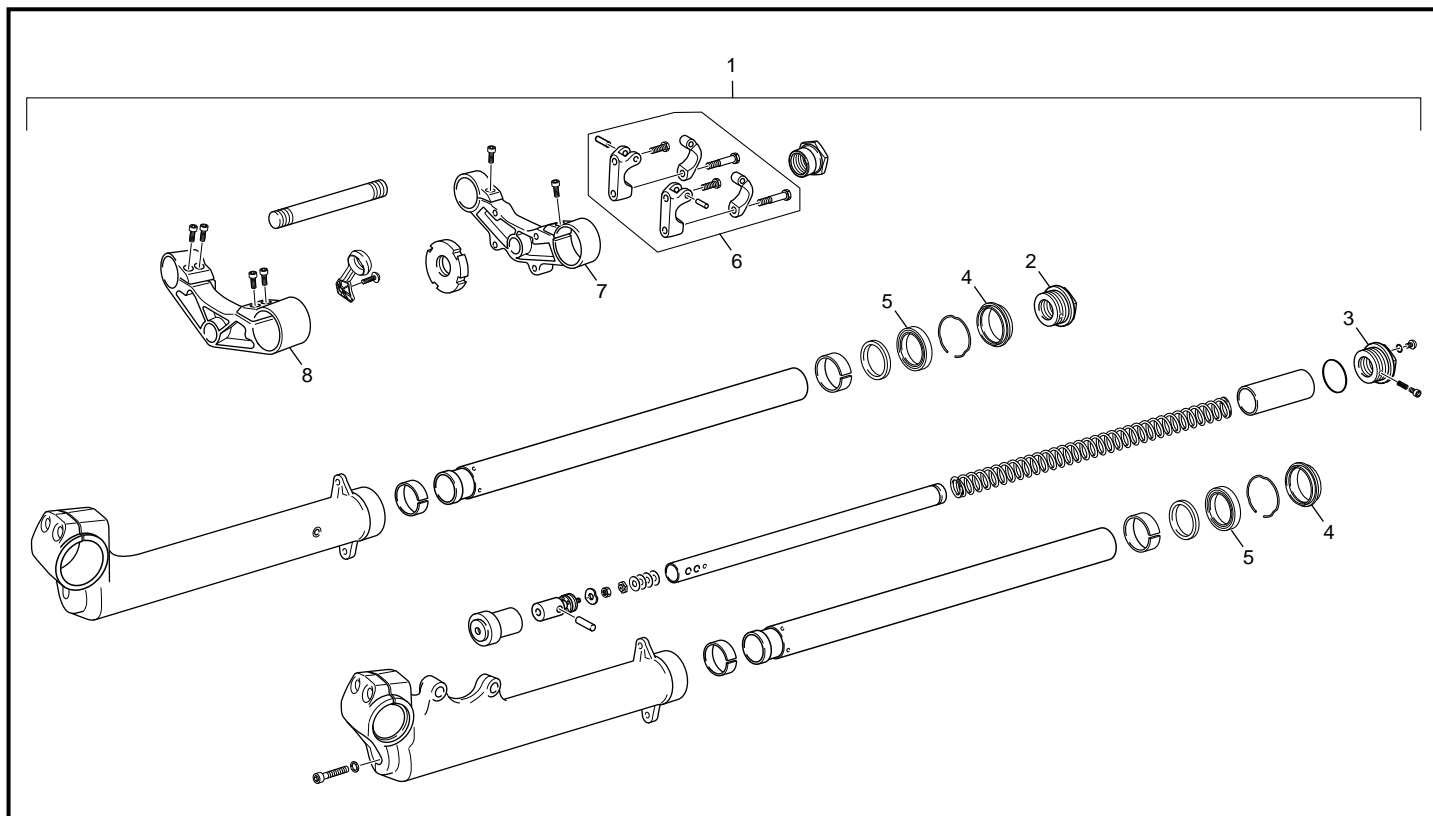


Pg. 23-24

Cadre / Frame / Chasis


POS.	3.0	FRANÇAIS	ENGLISH	ESPAÑOL
1	5365	CADRE TRIAL 2T BLEU F	CADRE TRIAL 2T BLUE F	CHASIS TRIAL 2T AZUL F
2	4549	PATE FIXATION CYLINDRE 2.5/2.9 NOIRE	CLINDER SUPPORT 2.5/2.9 BLACK	TIRANTE CILINDRO 2.5/2.9 NEGRO
3	3583*	SABOT 2012	BASH PLATE 2012	PROTECTOR CARTERS MOTOR 2012
4	3582*	CAOUTCHOUC MOTEUR 2012	BASH PLATE RUBBER 2012	CAUCHO PLACA MOTOR 2012
5	5363	REPOSE PIED DROITE TR OR F	RIGHT FOOTPEG TR GOLD F	ESTRIBERA DERECHA TR DORADA F
6	5364	REPOSE PIED GAUCHE TR OR F	BASH PLATE RUBBER	ESTRIBERA IZQUIERDA TR DORADA F
9	C009	ROULEMENT COLONNE DIRECTION R32004	STEERING BEARING R32004	RODAMIENTO DIRECCIÓN R32004
10	C010	BAGUE DE PROTECTION HAUTE PLASTIC	PLASTIC DUST COVER	GUARDA POLVO SUPERIOR PLASTIC
11	C011	BAGUE DE PROTECTION BASSE	FORK ALUMINIUM WHASHER	ARANDELA GUARDA POLVO INF
13	C172	AXE 10 X 20	PIN 10 X 120	EJE 10 X 120
14	C013	PATÍN CHAÎNE CADRE	SWINGARM CHAIN PROTECTOR	PATÍN CADENA CHASIS
15	4569	ADHESIF PROTEC CADRE JEU TR 13	FRAME PROTECTOR STICKER KIT TR 13	ADESIVO PROTECTOR CHASIS JUEGO TR 13
16	M308	ECROU CLIP M6 0500500400	NUT CLIP M6	TUERCA CLIP M6
17	C393	ADESIF MINERVA S/PLOMB 98	PETROL MINERVA STICKER 98	ADHESIVO MINERVA S/PLOMO 98
18	M263	VIS CHC 8 X 40 0084	SCREW CHC 8 X 40	TORNILLO 8 X 40 ALLEN
19	M264	VIS CHC 8 X 45 0084	SCREW CHC 8 X 45	TORNILLO 8 X 45 ALLEN
20	M396	VIS CHC M10 X 80	SCREW CHC M10 X 80	TORNILLO CHC M10 X 80
21	M301	VIS FHC 8 X 20 1089	SCREW FHC 8 X 20	TORNILLO AVELLANADO M 8 X 20
22	M304	ECROU NYLSTOP M10 0368.10	NUT NYLSTOP M10	TUERCA NYLSTOP M10
23	M305	ECROU NYLSTOP M8 0368.8	NUT NYLSTOP M8	TUERCA NYLSTOP M8
24	M345	VIS BHC 6 X 12 CARROSSERIE	SCREW BHC 6 X 12 BODY	TORNILLO BHC 6 X 12 CARROCERÍA
25	M282	VIS BHC 6 X 10 1093	SCREW BHC 6 X 10	TORNILLO 6 X 10 BHC
26	C165	BOUCHON AXE BRAS OSCILLANT DIAM 35	COVER SWING ARM AXLE DIAM 35	TAPÓN EJE BASCULANTE DIAM 35
27	3021	RONDELE M10 BL DIN 7980	WASHER M10 BL DIN 7980	ARANDELA M10 BL DIN 7980
28	3156	BUTEE DIRECTION TR 11	STOP FRAME TR 11	TOPE DIRECCIÓN TR 11
29	M278	VIS BHC 5 X 10 1093	SCREW BHC 5 X 10	TORNILLO 5 X 10 ULS
30	C118	SILENT BLOC RADIATEUR	SILENT-BLOC RADIATOR	SILENT-BLOC RADIADOR
31	3585	SUPPORT CDI HI TRIAL	HOLDER CDI HI TRIAL	SOPORTE CDI HI TRIAL
32	5633	RESSORTS REPOSE PIEDS TRIAL JEU	FOOTPEG SPRINGS KIT	MUELLES ESTRIBERAS JUEGO

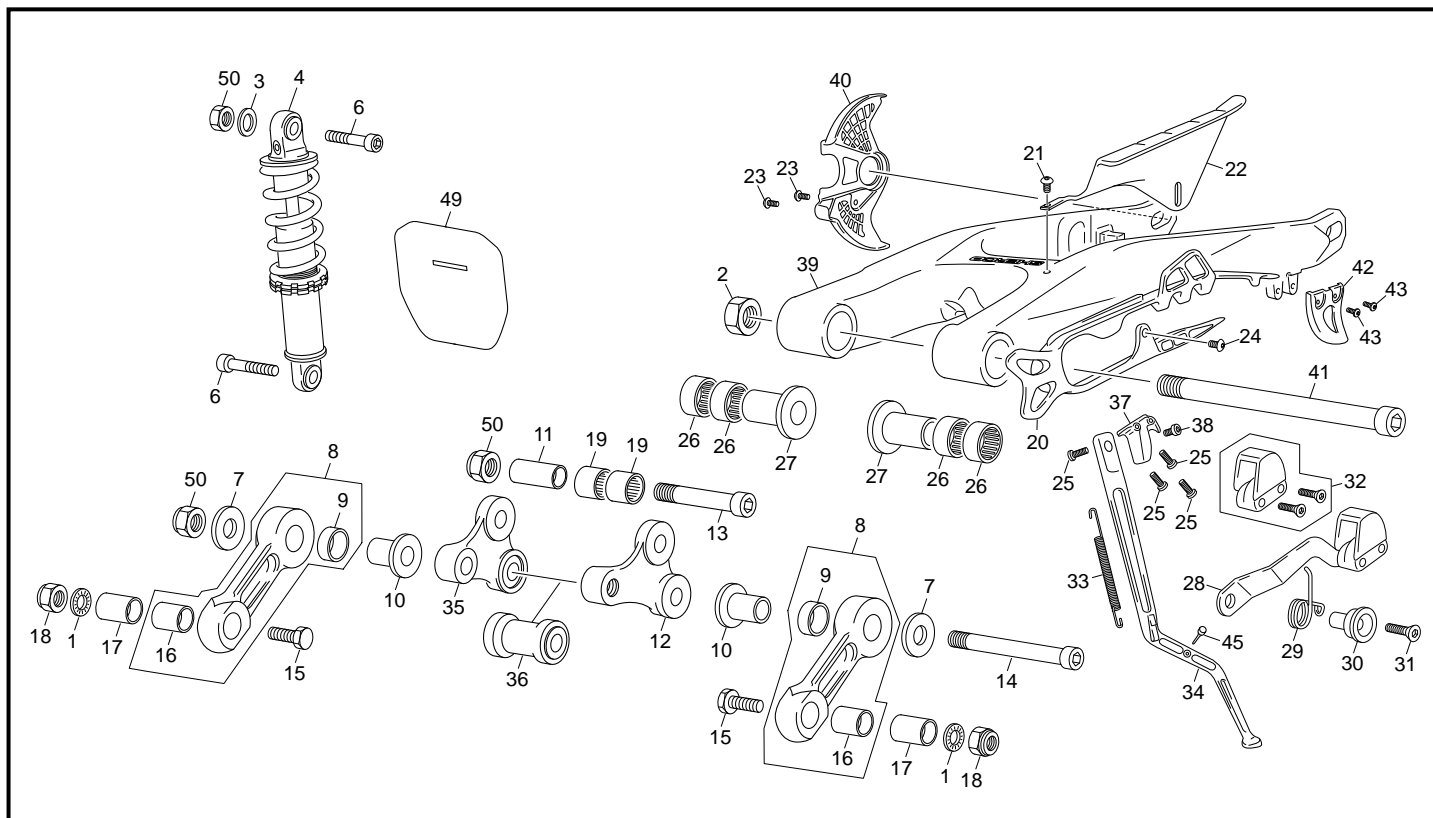
* NOUVELLE PIECE
NEW PART
PIEZA NUEVA

Fourche / Fork / Horquilla


POS.	3.0	FRANÇAIS	ENGLISH	ESPAÑOL
1	6055*	FOURCHE TR MARZOCCHI ALUM. AVEC BRIDES	FORK TR MARZOCCHI ALUM. WITH SUPPORTS	HORQUILLA MARZOCCHI ALUM. CON BRIDAS
2	3642	BOUCHON FOURCHE MZ DROITE	PLUG RIGHT MZ FORK	TAPÓN DERECHO HORQUILLA MZ
3	3641	BOUCHON FOURCHE MZ GAUCHE	PLUG LEFT MZ FORK	TAPÓN IZQUERDO HORQUILLA MZ
4	3540	CACHE POUSSIERE FOURCHE MZ 40	FORK DUST SEAL MZ 40	GUARDAPOLVO HORQUILLA MZ 40
5	3541	JOINT SPIE DE FOURCHE MZ 40	FORK OIL SEAL MZ 40	RETÉN HORQUILLA MZ 40
6	4879*	BRIDE GUIDON JEU X 2 NOIRE TR MARZOCHI	HANDELBAR HOLD. KIT X 2 BLACK MARZOCHI	BRIDAS MANILLAR JUEGO X 2 NEG. TR MARZ.
7	6178*	T FOURCHE SUP. MZ 40 OR MAT	UPPER PLAT FORK TRIAL MZ 40 GOLD MAT	PLATINA SUP HORQUILLA MZ 40 ORO MATE
8	6177*	T FOURCHE INF. MZ 40 OR MAT	BOTTOM PLAT FORK MZ 40 GOLD MAT	PLATINA INF HORQUILLA MZ 40 ORO MATE

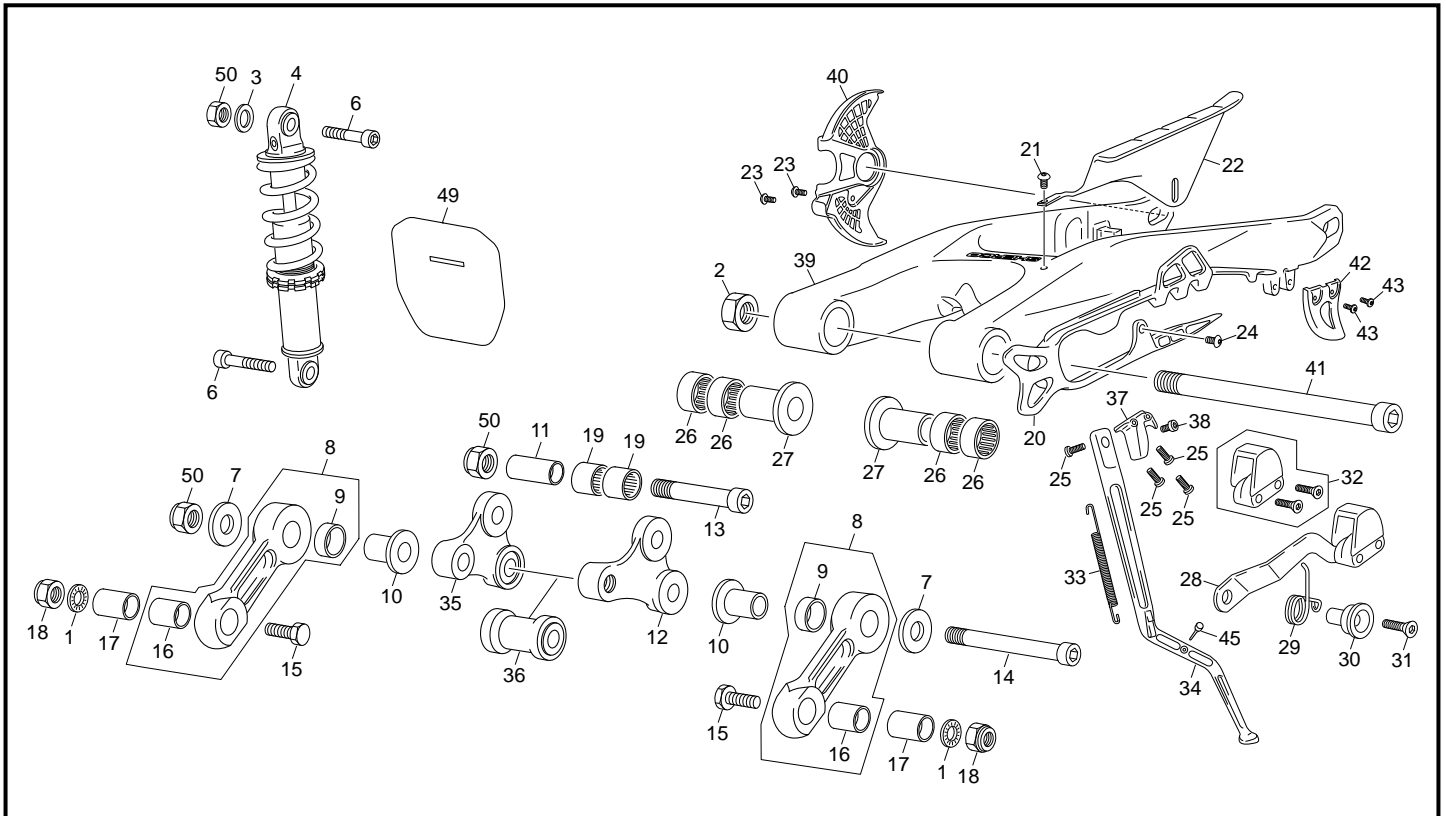
* NOUVELLE PIECE
NEW PART
PIEZA NUEVA

Amortisseur - Bras oscillant / Rear Shock - Swingarm / Amortiguador - Basculante



POS.	3.0	FRANÇAIS	ENGLISH	ESPAÑOL
1	1432	RONDILLE AET 8	WASHER X AET 8	ARANDELA AET 8
2	M310	ECROU PLAT M14 X 150 0319	NUT PLAT M14 X 150	TUERCA REBAJADA M14 X 150
3	M315	RONDILLE X 10 1405 010	WASHER X 10	ARANDELA X 10 DIN 125 A
4	5491*	AMORTISSEUR TRIAL R16V 2015	REAR SHORK TRIAL R16V 2015	AMORTIGUADOR TRIAL R16V 2015
6	C173	AXE 10 X 42	PIN10 X 42	EJE 10 X 42
7	M320	RONDILLE 10 X 30 X 2.5 0416	WASHER 10 X 30 X 2.5	ARANDELLA 10 X 30 X2.5 DIN 9021
8	3447	BIELETTE TIRANT SIMPLE VOIR 2947	REAR SUSPENSION LINK SEE 2947	BIELETA SUSPENSIÓN VER 2947
9	2945	DOUILLE FRICTION 16X18X15	BEARING FRICTION 16X18X15	COJINETE FRICCIÓN 16X18X15
10	C171	ENTRETOISE TIRANT EPAULEE	LINK SPACER	CASQUILLO BIELETA CON ARANDELA
11	C152	ENTRETOISE SUSPENSION	SPACER SUSPENSION	CASQUILLO SUSPENSIÓN
12	3445	BIELETTE DELTA TRIAL	REAR SUSPENSION DELTA LINK TRIAL	TRAPECIO SUSPENSIÓN TRIAL
13	C174	AXE 10 X 72	PIN 10 X 72	EJE 10 X 72
14	C172	AXE 10 X 20	PIN 10 X 120	EJE 10 X 120
15	C175	VIS HEXA TETE BASSE	SPECIAL HEAD SCREW HEX	TORNILLO HEX C/REBAJADA
16	2946	DOUILLE FRICTION 14X16X15	BEARING FRICTION 14X16X15	COJINETE FRICCIÓN 14X16X15
17	C170	ENTRETOISE TIRANT	LINK SPACER	CASQUILLO BIELETA
18	M305	ECROU NYLSTOP M8 0368.8	NUT NYLSTOP M8	TUERCA NYLSTOP M8
19	C167	DOILLER AIGUILLE BRAS/ SUSP HK 16X20X2RS	BEARING HK 16202RS	CASQUILLO AGUJAS BASCU/SUSP HK16202RS
20	1207	PATÍN DE CHAINE 07 TRIAL	CHAIN GUIDE PLATE 07 TRIAL	PATÍN CADENA 07 TRIAL
21	M258	VIS BHC 5 X 16 1093	SCREW BHC 5 X 16	TORNILLO 5 X 16 ULS
22	1208	CARTER DE CHAINE 07	CHAIN PROTECTOR 07	CUBRE CADENAS 07
23	M282	VIS BHC 6 X 10 1093	SCREW BHC 6 X 10	TORNILLO 6 X 10 BHC
24	M278	VIS BHC 5 X10 1093	SCREW BHC 5X10	TORNILLO 5 X 10 ULS
25	M281	VIS BHC 8 X12 1093	SCREW BHC 8X12	TORNILLO 8 X 12 ULS
26	C151	DOUILLE AIGUILLE BRAS HK 20X20X2 RS	BEARING HK 20X20X2RS	CASQUILLO AGUJAS BASC. HK20X20X2RS
27	C153	ENTRETOISE ARTICULATION BRAS	SPACER SWING ARM	CASQUILLO EJE BASCULANTE
28	C164*	TENDEUR DE CHAINE	CHAIN TENSIONER	TENSOR CADENA
29	5612	RESSORT TENDEUR DE CHAINE F	SPRING CHAIN TENSIONER F	MUELLE TENSOR CADENA F
30	5613	ENTRETOISE TENDEUR DE CHAINE F	SPECER CHAIN ADJUST F	CASQUILLO TENSOR CADENA F
31	M300	VIS FHC 8 X 35 1089	SCREW FHC 8 X 35	TORNILLO AVELLANADO M8 X 35
32	R047	CAOUTCHOUC TENDEUR SEUL	CHAIN STRETCHER PLATE	GOMA TENSOR CADENA
33	C161	RESSORT DE BEQUILLE	SIDE STAND SPRING	MUELLE CABALLETE
34	4559	BEQUILLE SEULE ALU NOIR	LATERAL STAND BLACK	CABALLETE ALUMINIO NEGRO
35	3444	BIELETTE DELTA SEMI D	REAR SUSPENSION HALF R DELTA LINK	TRAPECIO SUSPENSIÓN SEMI D

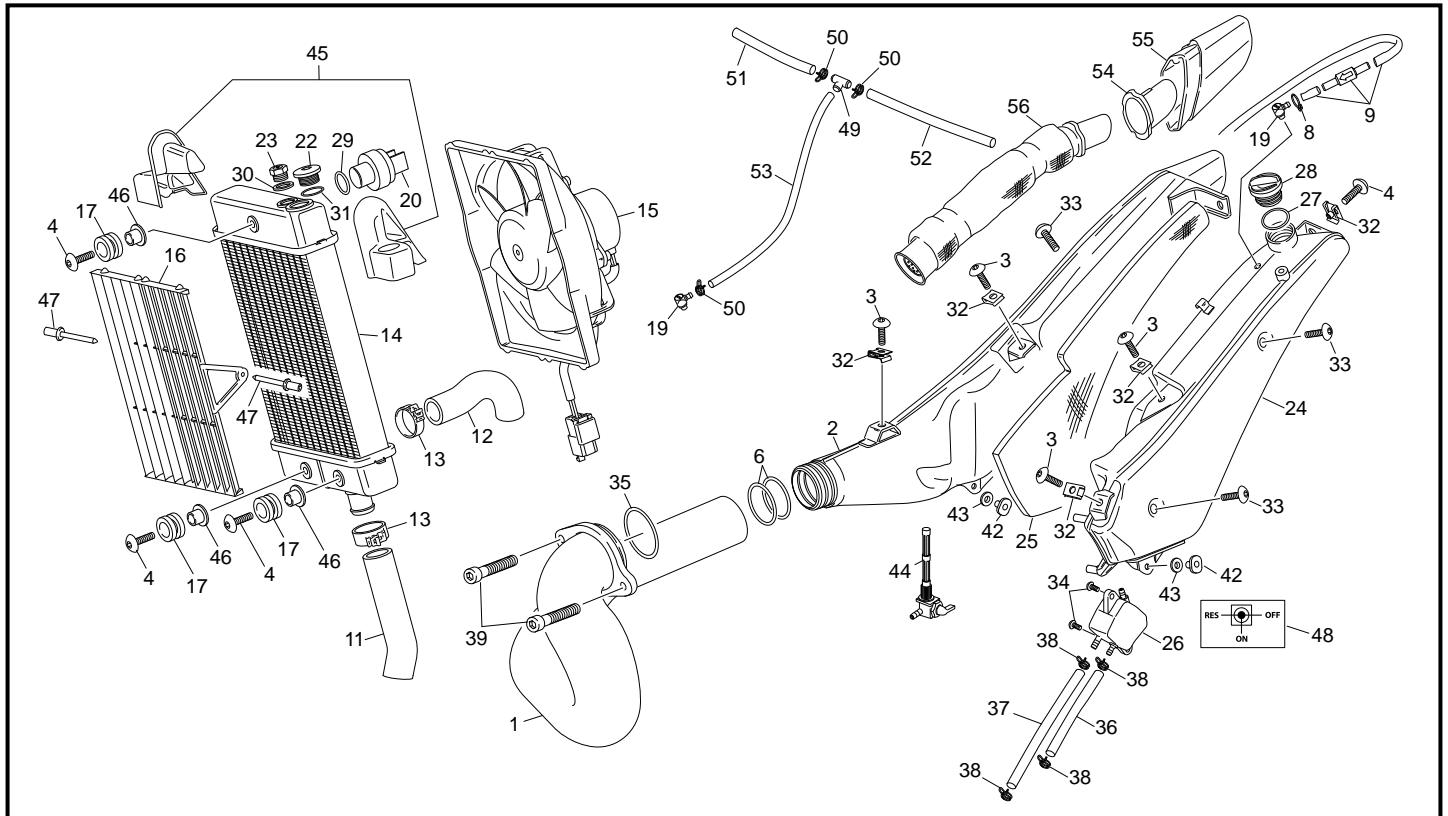
Amortisseur - Bras oscillant / Rear Shock - Swingarm / Amortiguador - Basculante



POS.	3.0	FRANÇAIS	ENGLISH	ESPAÑOL
36	3446	ENTRETOISE BIELETTE DELTA TRIAL	DELTA LINK SPACER TRIAL	CASQUILLO TRAPECIO SUSPENSIÓN TRIAL
37	4542	SUPPORT DE BEQUILLE SANS BUTEE NOIR	STAND HOLDER WITHOUT RETAIN BLACK	SUPORTE CABALLETE SIN TOPE NEGRO
38	C166	VIS SPECIALE BEQUILLE	SIDE STAND SPECIAL BOLT	TORNILLO ESPECIAL CABALLETE
39	5373	BRAS OSCILLANT F	SWINGARM F	BASCULANTE F
40	2024	PROTECTEUR DISC ARIERE 09 NOIR TR	PROTECTOR BRAKE DISC BACK 09 BLACK	PROTECTOR DISCO TRASERO NEGRO 09
41	C154	AXE BRAS OSCILLANT	ALUMINIUM SWINGARM AXLE	EJE BASCULANTE ALUMINIO
42	2026	PROTECTEUR COURRONE NOIR TR	PROTECTEUR SPROKET BLACK TR	PROTECTOR CORONA NEGRO TR
43	M278	VIS BHC 5 X10 1093	SCREW BHC 5X10	TORNILLO 5 X 10 ULS
45	1663	CAOUTCHOUC DE MAINTIEN DE BEQUILLE TR 08	STAND SIDE RUBER TRIAL 08	GOMA CABALETE 08
49	3425	BAVETTE AMORTISSEUR SSDT	SHOCK ABSORBER PROTECTOR SSDT	PROTECTOR AMORTIGUADOR SSDT
50	M304	ECROU NYLSTOP M10 0368.10	NUT NYLSTOP M10	TUERCA NYLSTOP M10

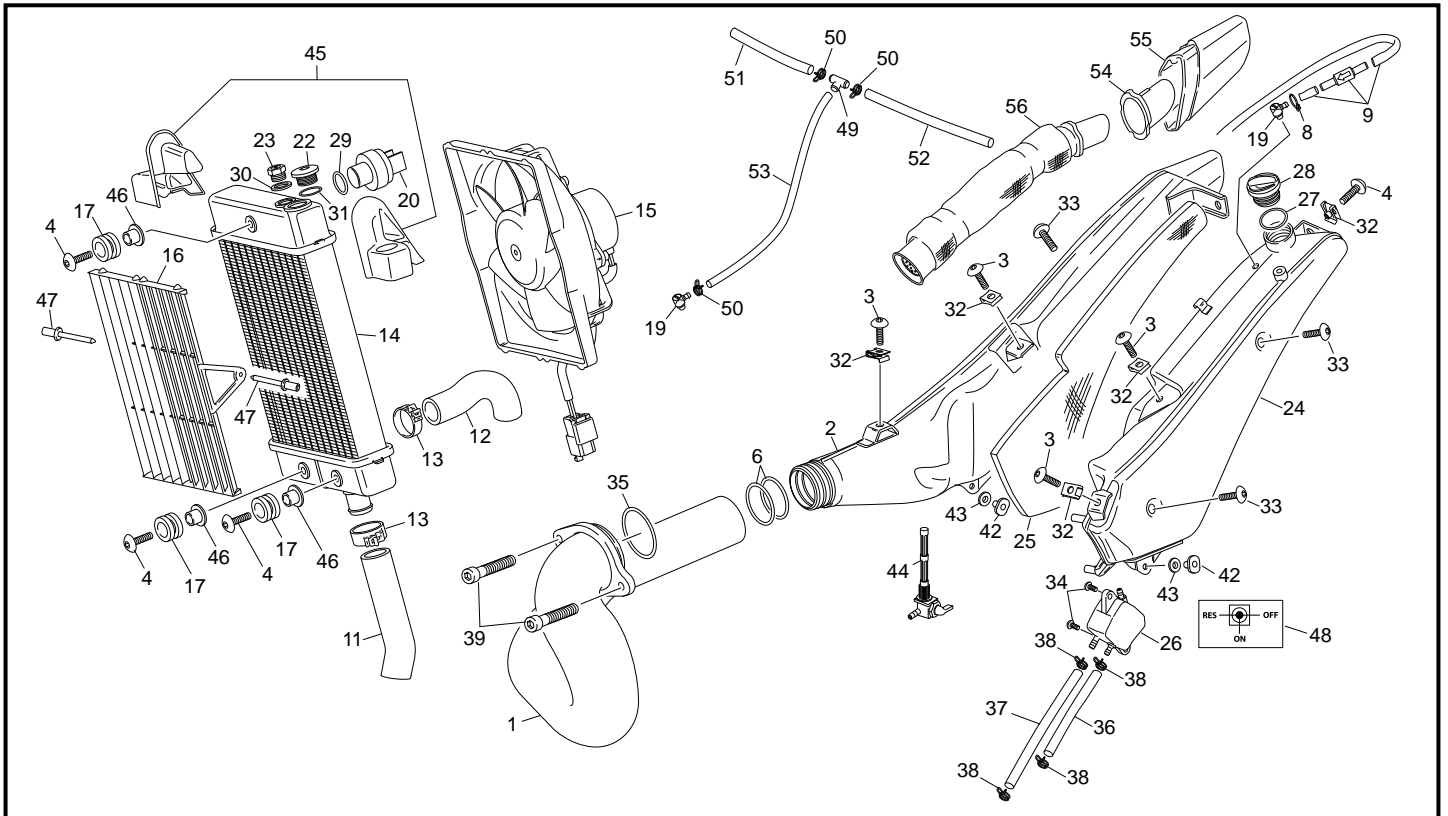
* NOUVELLE PIECE
NEW PART
PIEZA NUEVA

Radiateur-Échappement / Radiator-Exhaust / Radiador-Escape

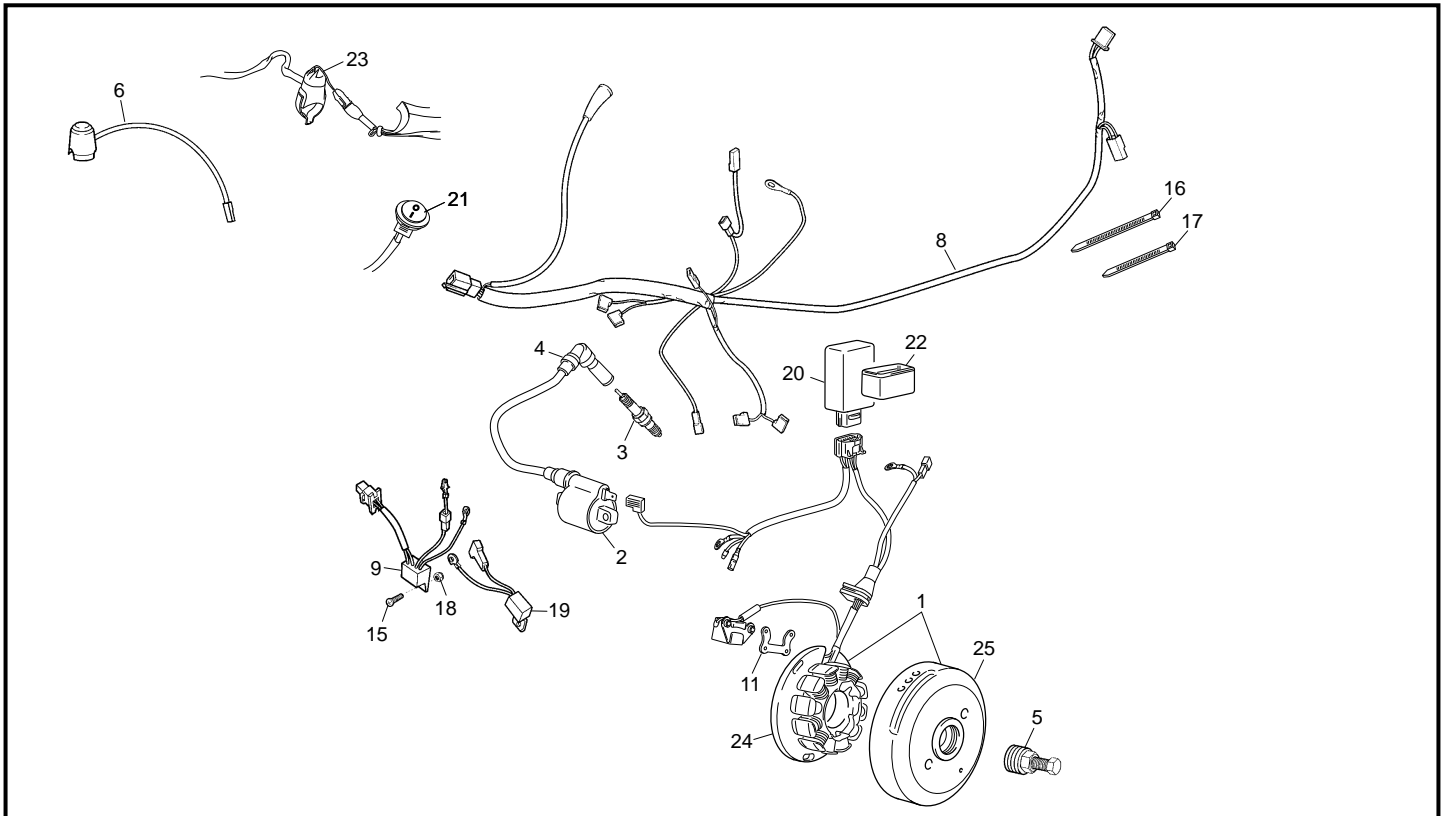


POS.	3.0	FRANÇAIS	ENGLISH	ESPAÑOL
1	5372	TUBE ECHAPPEMENT TITANIUM F	EXHAUST PIPE TITANIUM F	CURVA DE ESCAPE TITANIO F
2	4912	POT CENTRAL ALU 2T 2010	EXH CENTRAL ALU	SILENCIOSO CENTRAL ALU
3	M345	VIS BHC 6 X 20 CARROSSERIE	SCREW BHC 6 X 20 BODY	TORNILLO BHC 6 X 20 CARROCIERÍA
4	M269	VIS 6X20 CARROSSERIE	SCREW 6X20 FRAME	TORNILLO 6X20 ESPECIAL CARROCIERÍA
6	4913	JOINT TORIQUE POT CENTRAL 44 X 51 X 3,50	O-RING MIDDLE SILENCER 44 X 51 X 3,50	TÓRICA SILENCIADOR CENTRAL 44 X 51 X 3,50
7	M269	VIS BHC 6 X 20 CARROSSERIE	SCREW BHC 6 X 20 CARROSSERIE	TORNILLO 6 X 20 ESPECIAL CARROCIERÍA
8	2846	COLLIER DURITE ESSENCE	COLLARD PETROL PIPE	ABRAZADERA TUBO GASOLINA
9	2365	GROUPE VALVE ANTI RETOUR ALU	ANTI RETURN VALVE GROUP ALU	GRUPO VÁLVULA ANTI RETORNO ALU
11	3432	DURITE CARTER RADIATEUR TR	RUBBER TUBE CRANKSHAFT/RADIATOR TR	MANGUITO CARTER/RADIADOR TR
12	3140	DURITE CULASSE RADIATEUR	RUBBER CILYNDER HEARD RADIATOR	MANGUITO CULATA/RADIADOR
13	C114	COLLIER DURITE NORMA VERT 21	COLLARD NORMA GREEN 21	ABARAZADERA MANGUITOS VERDE 21
14	3127	RADIATEUR 2T	RADIATOR 2S	RADIADOR 2T
15	1523	VENTILATEUR COMEX 120	FAN DIAM COMEX 120	VENTILADOR COMEX 120
16	3773	GRILLE RADIATEUR 06	RADIATOR PROTECTOR 06	REJILLA RADIADOR 06
17	4978	SILENT BLOC RADIATEUR	SILENT-BLOC RADIATOR	SILENT-BLOC RADIADOR
19	2274	RACORD MISE A L'AIR TR	RACORD AIR INSIDE TR	RACORD ENTRADA AIRE TR
20	5371	THERMOCONTACT 2T F	THERMOSTAT 2T F	TERMOCONTACTO 2T F
21	C114	COLLIER DURITE NORMA VERT 21	COLLARD NORMA GREEN 21	ABARAZADERA MANGUITOS VERDE 21
22	4558	BOUCHON RADIATEUR TRIAL NOIR	RADIATOR TAP TRIAL BLACK	TAPÓN RADIADOR TRIAL NEGRO
23	2269	VALVE PRESSION RADIATEUR	PRESSION VALVE RADIATOR	VÁLVULA PRESIÓN RADIADOR
24	3609	RESERVOIR TRIAL ALU	PETROL TANK TRIAL ALU	DEPÓSITO TRIAL ALU
25	2363	PROTECTEUR TERMIQUE RESERVOIR TR.	THERMIC PROTECTOR SIDE TANK TRIAL	PROTECTOR TÉRMICO DEPÓSITO TRIAL
26	2311	POMPE A ESSENCE TRIAL	PETROL PUMP TRIAL	BOMBA DE GASOLINA TRIAL
27	2320	JOINT BOUCHON ESSENCE TRIAL	SEAL PETROL CAP TRIAL	JUNTA TAPÓN GASOLINA TRIAL
28	2270	BOUCHON ESSENCE 2010	PETROL CAP 2010	TAPÓN GASOLINA
29	M651	JOINT 13.10 X 1.6 SORTIE EAU 4T TRIAL	WATER EXIT O SEAL 13.10 X 1.6 4T TRIAL	TÓRICA 13.10X1.6 TUBO SALIDA AGUA 4T TR
30	2860	RONDELLE ALU 8X12X1	WASHER ALU 8X12X1	ARENDELA ALU 8X12X1
31	M168	TORIQUE 14 X18X2	O RING 14X18X2	TÓRICA 14X18X2
32	M308	ECROU CLIP M6 0500500400	NUT CLIP M6	TUERCA CLIP M6
33	2937	VIS BHC 5 X 8 ISO 7380	SCREW BHC 5 X 8	TORNILLO ULS 5 X 8 ISO 7380
34	M258	VIS BHC 5 X 16 1093	SCREW BHC 5 X 16	TORNILLO 5 X 16 ULS
35	C122	JOINT CUIVRE 38X44X2.5 0462	GASKET RING 38X44X2.5	JUNTA COBRE 38X44X2.5
36	NEW	DURITE ESSENCE PETIT	SMALL PETROL HOSE	TUBO GASOLINA CORTO
37	NEW	DURITE ESSENCE LARGE	LONG PETROL HOSE	TUBO GASOLINA LARGO

Radiateur-Échappement / Radiator-Exhaust / Radiador-Escape

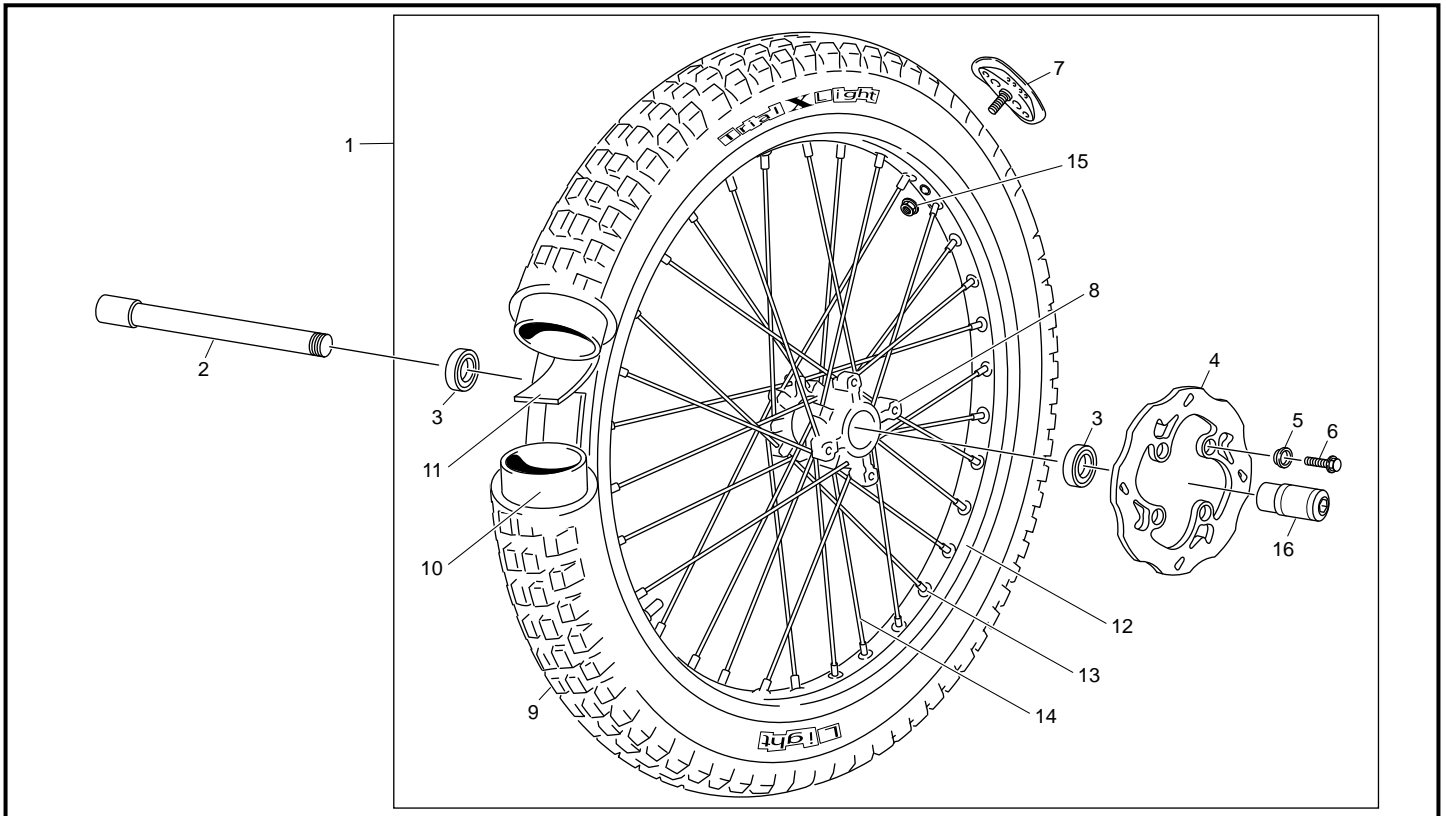


POS.	3.0	FRANÇAIS	ENGLISH	ESPAÑOL
38	2846	COLLIER DURITE ESSENCE	COLLARD PETROL PIPE	ABRAZADERA TUBO GASOLINA
39	2937	VIS BHC 5 X8 ISO 7380	SCREW BHC 5 X8	TORNILLO ULS 5 X 8 ISO 7380
42	3193	ENTRETOISE SILENTBLOCK	BUSH SILENTBLOCK	CASQUILLO SILENTBLOCK
43	3194	CAUTCHOUC SILENTBLOCK	SILENTBLOCK RUBBER	CAUCHO SILENTBLOCK
44	3638	ROBINET ESSENCE 2012	PETROL TAP 2012	GRIFO GASOLINA 2012
45	3716	PROTECTEUR HAUT RADIATEUR PAIRE	PROTECTOR TOP RADIATOR KIT	PROTECTOR ALTO RADIADOR JUEGO
46	3952	ENTRETOISE RADIATEUR	RADIATOR BRUSH	CASQUILLO RADIADOR
47	3772	RIVET 2.4X8	RIVET POP 2.4X8	REMACHE 2.4X8
48	3768	ADHESIF ON - OFF - RES	STICKER ON - OFF - RES	ADHESIVO ON - OFF - RES
49	4965	BY PASS Y	BY PASS Y	BY PASS Y
50	3340	COLLIER DURITE ESSENCE 7.3	COLLARD PETROL PIPE 7.3	ABRAZADERA TUBO GASOLINA 7.3
51	NEW	DURITE ESSENCE	PETROL HOSE	TUBO GASOLINA
52	NEW	DURITE ESSENCE	PETROL HOSE	TUBO GASOLINA
53	NEW	DURITE ESSENCE	PETROL HOSE	TUBO GASOLINA
54	5577	GOME INTERIEUR CONE SORTIE SILENC TR	INTERNAL RUBBER CONE EXH. SILENCER TR	GOMA INTERIOR CONO SALIDA SILEN. TR
55	5127	CONE SORTIE SILENCIEUX TR 14	CONE EXHAUST SILENCER TR 14	CONO SALIDA SILENCIADOR TR 14
56	5487	CANE DE RECHANGE SILENCIEUX TR SHERCO	TUBE SPARE PARTS EXHAUST TR SHERCO	CAÑA DE RECAMBIO SILENCIOSO TR SHERCO

Faisceau électrique / Electrical system / Instalación eléctrica


POS.	3.0	FRANÇAIS	ENGLISH	ESPAÑOL
1	3579	ALLUMAGE	IGNITION	ENCENDIDO
2	3581	BOBINE TRIAL	ELECTRONIC BOX	BOBINA AT
3	M183	BOUGIE COMP	SPARK PLUG	BUJÍA COMP
4	M184	ANTIPARASITE MTA RESISTIVE 5 OHMS	SPARK PLUG CAP MTA RESISTIF 5 OHMS	PIPA BUJÍA MTA RESISTIVA 5 OHMS
5	R075	OUTIL EXTRACTEUR ROTOR ALLUMAGE	PULLER FOR FLYWHEEL	EXTRACTOR ENCENDIDO
6	2972	BOUTON STOP MOTEUR TRIAL D28 L 70,5	STOP ENGINE TRIAL D28 L 70,5	STOP MOTOR TRIAL D28 L 70,5
8	2820	FAISCEAU ELECTRIQUE PRINCIPAL TRIAL 2010	ELECTRIC CABLE	CABLE ELÉCTRICO
9	1681	DIODE REDRESSEUSE VENTILATEUR COMEX	DIODE COMEX	RECTIFICADOR VENTILADOR COMEX
11	M273	CAVALIER	CAVALIER	BRIDA
15	M306	ECROU NYLSTOP M6 0368.6	NUT NYLSTOP M6	TUERCA NYLSTOP M6
16	M330	COLLIER RISLAN 178X4.8	COLLIER 178X4.8	ABRAZADERA 178X4.8
17	M331	COLLIER RISLAN100X2.5	COLLIER 100X2.5	ABRAZADERA 100X2.5
18	M274	RONDELLE GROSVER X 6 DIN 6798J 0428	WASHER GROSVER X 6 DIN 6798J 0428	ARANDELA GROSVER X 6 DIN 6798J 0428
19	M182	REGULATEUR LEONELLI	REGULATOR	REGULADOR
20	3580	CDI MOTEUR TRIAL DOUBLE COURBE	CDI BOX ENGINE TRIAL DOUBLE CURBA	CDI DIGITAL REPROGR. TRIAL DOBLE CURVA
21	5013	MICROINTERRUPTEUR MAP	MICROINTERRUPTOR MAP	MICROINTERRUPTOR MAP
22	3586	CAUTCHOUC SUPPORT CDI HI TRIAL	RUBBER CDI HI TRIAL	GOMA CDI HI TRIAL
23	R493	DISPOSITIF TOMBÉE PILOTE	FALLEN DEVICE RIDER	DISPOSITIVO CAIDA PILOTO
24	5513	STATOR ALLUMAGE SEUL TRIAL	IGNITION TRIAL	STATOR SUELTO TRIAL
25	5514	ROTOR ALLUMAGE TRIAL	FLYWHEEL IGNITION TRIAL	ROTOR ENCENDIDO TRIAL

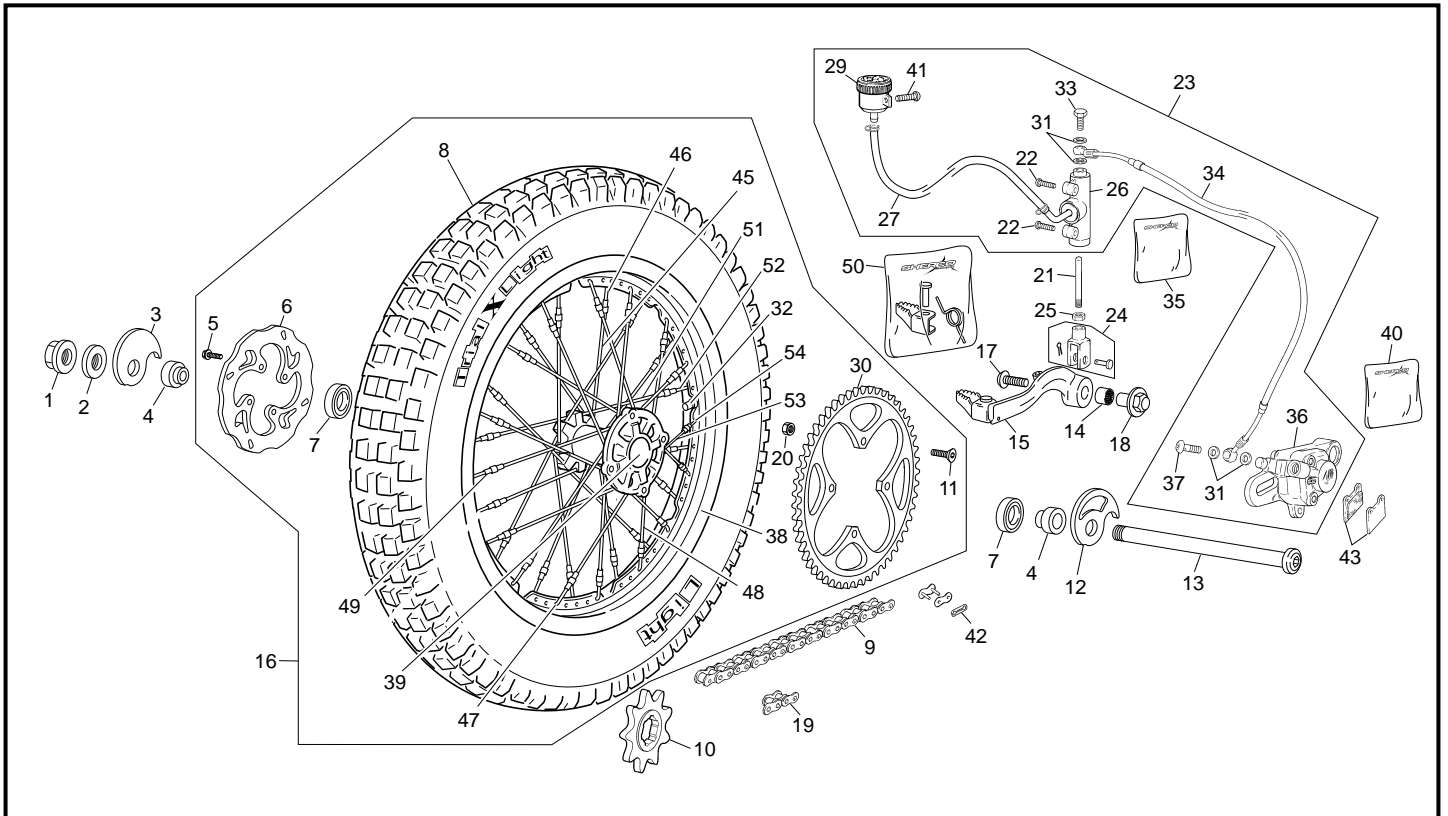
Roue avant / Front wheel / Rueda delantera



POS.	3.0	FRANÇAIS	ENGLISH	ESPAÑOL
1	5804*	ROUE AVANT TR. BLEU BRILLANT SHERCO F'15	FRONT WHEEL TR. BLUE BRIGHT SHERCO F'15	RUEDA DEL. TR AZUL BRILLANTE SHERCO F '15
2	2770*	AXE DE ROUE AVANT TS NOIR	AXE ROUE AV 20MM SR280	EJE RUEDA DEL SR 280
3	0175	ROULEMENTS A BILLES 6004.2RSH/C3	BERING BALL 6004.2RSH/C3	COJINETE 6004.2RSH/C3
4	5357*	DISQUE FREIN AVANT GALFER TR F	FRONT DISC GALFER TR F	DISCO DELANTERO GALFER TR F
5	C209	ENTRETOISE DISQUE AVANT	SPACER DISC	CASQUILLO FLOTANTE DISCO
6	C452	VIS HEXAGONAL EPAULE M6 X 18	SCREW EXAGONAL M6 X 18	TORNILLO EXAGONAL M6 X 18
7	C203	GRISTER	TYRE STAY	AGARRACUBIERTAS
8	5472	MOYEU AVANT ORANGE	FRONT HUB ORANGE	BUJE DELANTERO NARANJA
9	2928*	PNEU AVANT TRIAL LIGHT 80/100-21	FRONT TIRE TRIAL LIGHT 80/100-21	NEUMATICO DEL. TR. LIGHT 80/100-21
10	C202*	CHAMBRE A AIR 21AB	21 TUBE	CAMARA 21
11	C201	RUBAN FOND DE JANTE R14025	RIM RUBBER PROTECTION	GOMA PROTECCION LLANTA
12	6143*	JANTE AVANT BLEU BRI 1.60X21 32 RAYONS	FRONT RIM BLUE BRIGHTT 1.60X21 32 R	LLANTA DE. AZUL BRI 1.60X21 32 RADIOS
13	3398	ECROU DE RAYON AVANT M3.5X0.60	FRONT NEEPLE SPOCKE M3.5X0.60	TUERCA RADIO DELANTERO M3.5X0.60
14	3397	RAYON 257 X 3 NEW NOIR	SPOCKE 257 X 3 NEW BLACK	RADIO 257 X 3 NUEVO NEGRO
15	M305	ECROU NYLSTOP M8 0368.8	NUT NYLSTOP M8	TUERCA NYLSTOP M8
16	2885*	ECROU AXE ROUE AVANT MZ	FRONT WEEL BUSHING MZ	TUERCA EJE RUEDA DEL MZ

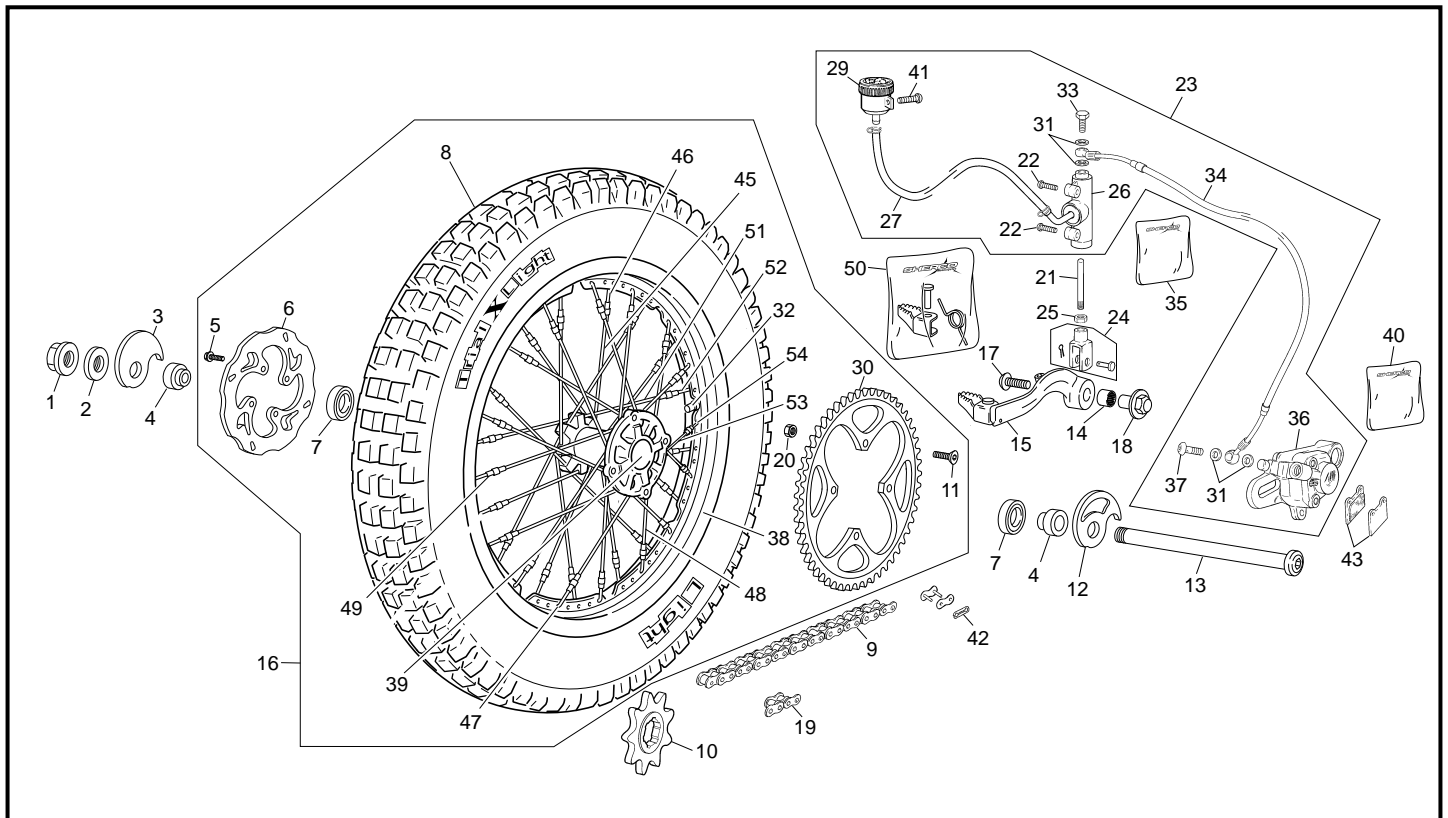
* NOUVELLE PIECE
NEW PART
PIEZA NUEVA

Roue arrière / Rear wheel system / Rueda trasera



POS.	3.0	FRANÇAIS	ENGLISH	ESPAÑOL
1	C253	ECROU ROUE ARRIERE	REAR AXLE NUT	TUERCA EJE RUEDA TRASERA
2	M314	RONDELLE X 17 1405 016	WASHER X 17	ARANDELA X 17
3	5808	EXCENTR. DR. TENDEUR CHAINE NOIR F 2015	RIGHT REAR AXLE EXCENTRIC BLACK F 2015	EXCÉNTRICA DERECHA NEGRA F 2015
4	5387	ENTRETOISE ROUE ARRIERE LEGER	REAR BRUSH LIGHT	SEPARADOR RUEDA TRASERA LIGERO
5	M249	VIS CHC TETE BASSE 6 X 20 SS TROU GUIDAGE	SCREW CHC 6 X 20	TORNILLO M 6 X 20 CABEZA REBAJADA
6	5358	DISQUE FREIN ARRIERE TR F	REAR DISC TR F	DISCO FRENO TRASERO TR F
7	R049	ROULEMENT DE MOYEU 6004 2RS	BEARING HUB 6004 2RS	RODAMIENTO BUJE 6004 2RS
8	2929	PNEU ARRIERE TRIAL X-LIGHT 120/100 R18	PNEU ARRIERE TRIAL X-LIGHT 120/100 R18	NEUMÁTICO TRIAL X-LIGHT 120/100 R18
9	C265	CHAINE 100M	CHAIN 100Z	CADENA 100 PASOS
10	C267	PIGNON 10 D	SPOCKET 10T	PIÑÓN SALIDA 10 Z
11	M287	VIS BHC 8 X 22	SCREW BHC 8 X 22	TORNILLO BHC 8 X 22
12	5809	EXCENTR. GAU. TENDEUR CHAINE NOIRE F '15	LEFT REAR AXLE EXCENTRIC BLACK F 2015	EXCENTRICA IZQUIERDA NEGRA F 2015
13	4594	AXE ROUE ARRIERE NOIR	AXELE BACK WHEEL BLACK	EJE RUEDA TRAS. NEGRO
14	2299	DOUILLE BRONZE PEDALE FREIN TR	BEARING	CASQUILLO BRONCE PEDAL FRENO TR
15	4560	PEDALE DE FREIN NOIR	REAR BRAKE PEDAL BLACK	PEDAL FRENO TRASERO NEGRO
16	5805	ROUE ARRIERE TR BLEU BRILLANT SHERCO F '15	BACK WHEEL TR BLUE BRIGHT SHERCO F 2015	RUEDA TRAS TR AZUL BRILLANTE SHERCO F '15
17	M280	VIS BHC 8 X 16 1093	SCREW BHC 8 X 16	TORNILLO 8 X 16 ULS
18	5076	ENTRETOISE PEDALE DE FREIN INTEGRALE	SPACER BRAKE PEDAL INTEGRAL	CASQUILLO PEDAL DE FRENO INTEGRAL
19	C304	1/2 MAILLON DE CHAINE	HALF COMPLING CONNECTION	MEDIA MALLA DE CADENA
20	M305	ECROU NYLSTOP M8 0368.8	NUT NYLSTOP M8	TUERCA NYLSTOP M8
21	C261	TIGE FREIN ARRIERE	PIN BRAKE ROD	TIJA PEDAL FRENO TRASERO
22	M284	VIS BHC 6 X 25 AcZi NOIRE	SCREW BHC 6 X 25 NEGRO	TONILLO 6 X 25 ULS BLACK
23	C321	GROUPE FREIN ARRIERE	REAR BRAKE COMPLETE	CTO. FRENO TRASERO
24	C259	CHAPE PEDALE FREIN 0267	REAR BRAKE ROD	HORQUILLA PEDAL DE FRENO
25	M309	ECROU STANDARD M6 0317	NUT M6	TUERCA M6
26	C385	POMPE FREIN AR 9.5	REAR MASTER CYLINDER 9.5	BOMBA FRENO TRASERO 9.5
27	R069	TUBE LIQUIDE FREIN BOCAL/POMPE L 210	OIL TANK TUBE L 210	TUBO LÍQUIDO FRENO L 210
29	R066	BOCAL LIQUIDE FREIN	OIL TANK BRAKE	DEPÓSITO LÍQUIDO FRENO
30	4333	COURRONE 42D 4 TROUS LEGERE NOIR	REAR SPROKET 42D LIGTH BLACK	CORONA 42D 4TROUS LIGERA NEGRA
31	R074	RONDELLE BANJO CUIVRE 10x14x1.5	WASHER COPPER 10x14x1.5	ARANDELA BANJO COBRE 10x14x1.5
32	3631	VALVE AR JANTE NER	TUBLESS VALVE RIM NER	VÁLVULA LLANTA NERVIO
33	R058	CAPUCHON VIS DE PURGE	HOOD SCREW PURGE	TAPÓN SANGRADOR
34	C388	DURITE FREIN ARRIERE 2002	REAR BRAK HOSE 2002	LATIGUILLO FRENO TRASERO 2002
35	R233	KIT REPARATION POMPE FREIN AR	REAR MASTER CYLINDER SEAL KIT	KIT REPARACIÓN PINZA FRENO TR.

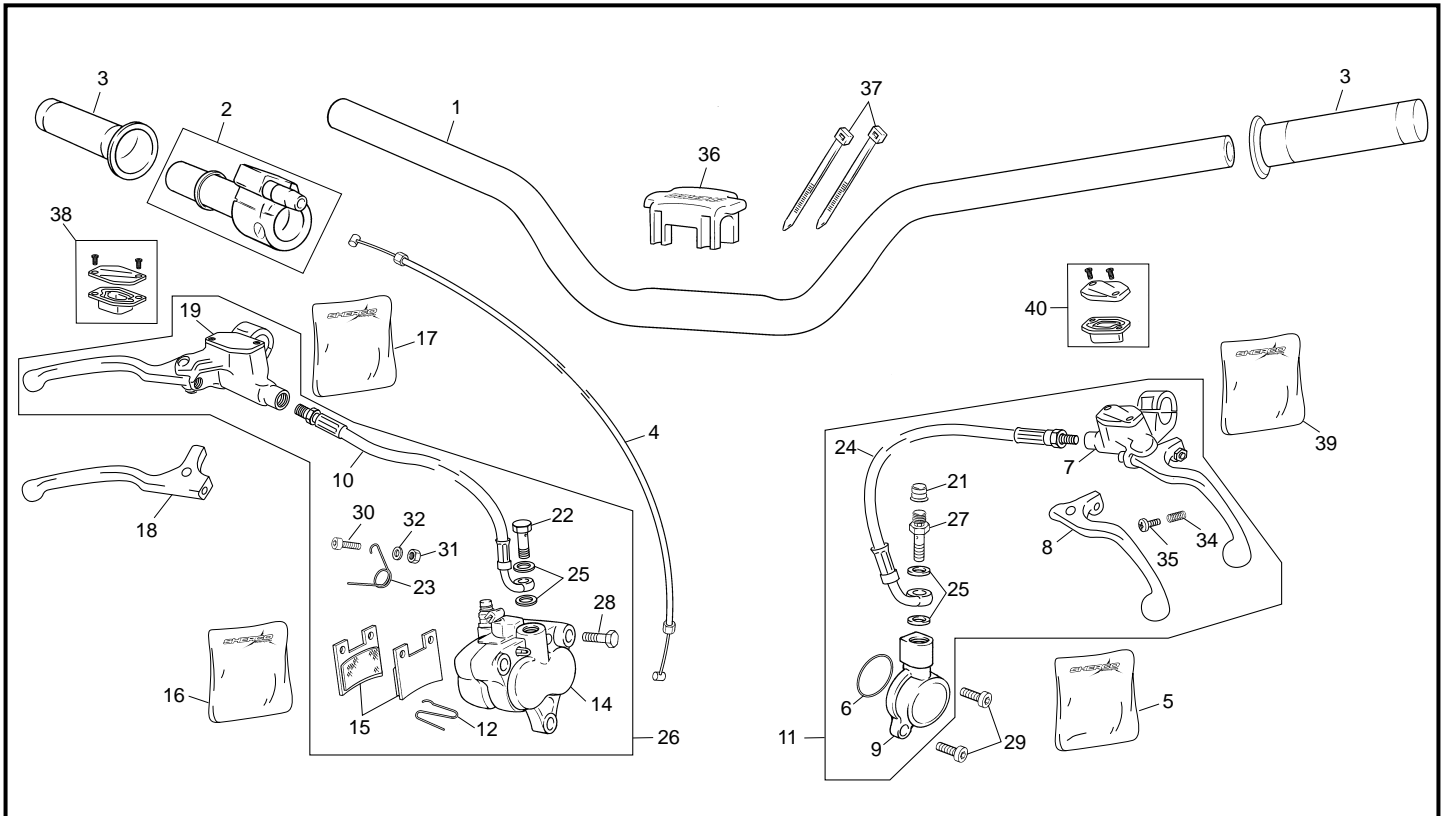
Roue arrière / Rear wheel system / Rueda trasera



POS.	3.0	FRANÇAIS	ENGLISH	ESPAÑOL
36	C386	ETRIER FREIN ARRIERE 2002	REAR CALIPER 2002	PINZA FRENO TRASERO 2002
37	R059	VIS RACCORD M10 X 21 HEXA	LINK SCREW M10 X 21 HEXA	TORNILLO RACORD M10 X 21 HEXA
38	6142*	JANTE ARR. BLEU BRI NERVURE 32 RAY. LEGER	REAR RIM BLUE BRIGHT NERVE 32 R LIGTH	LLANTA TRAS. AZUL BRI NERVADA 32 R ALIGERADA
39	5807	MOYEU ARRIERE JAUNE FLUOR F 2015	REAR HUB YELLOW FLUOR F 2015	BUJE TRASERO AMARILLO FLUOR F 2015
40	R235	KIT ETRIER ARRIERE 2002	KIT CALIPER BACK 2002	KIT PINZA FRENO TR 2002
41	M282	VIS BHC 6 X 10 1093	SCREW BHC 6 X 10	TORNILLO 6 X 10 BHC
42	R034	ATTACHE RAPIDE DE CHAINE	CONNECTING LINK	ENGANCHE CADENA
43	C390	PLAQUETTES FREIN ARRIERE PAIRE 2002	REAR PAD BRAKE PAIR 2002	JUEGO PASTILLAS TRASERO 2002
45	3391	RAYON DEMIE 165X3.5 NOIR COTE DISQUE	HALF SPOCKE 165X3.5 BLACK SIDE BRAKE	RADIO SEMI 165X3.5 NEGRO LADO DISCO
46	3392	RAYON L MINI 34.5X3.5 COTE DISQUE NOIR	MINI SPOCKE L 34.5X3.5 SIDE BRAKE BLACK	RADIO L MINI 34.5X3.5 LADO DISCO NEGRO
47	3393	RAYON DEMIE 175X3.5 COTE COUR. NOIR	HALF SPOCKE 175X3.5 SIDE TRANS BLACK	RADIO SEMI 175X3.5 LADO CORONA NEGRO
48	3394	RAYON L MINI 35.5X3.5 COTE COUR. NOIR	SPOCKE L MINI 35.5X3.5 SIDE TRANS BLACK	RADIO L MINI 35.5X3.5 LADO CORONA NEGRO
49	3395	TENDEUR RAYON AR	REAR NIPPLE SPOKE	TENSOR RADIO TRASERO
50	5326	KIT REPARATION PEDALE DE FREIN	KIT REPARATION REAR BRAKE LEVER	KIT REPARACIÓN PEDAL FRENO TRASERO
51	5622	RAYON DEMIE 175X3.5 COTE COUR. BLANC	HALF SPOCKE 175X3.5 SIDE TRANS WHITE	RADIO SEMI 175X3.5 LADO CORONA BLANCO
52	5623	RAYON L MINI 35.5X3.5 COTE COUR. BLANC	SPOCKE L MINI 35.5X3.5 SIDE TRANS WHITE	RADIO L MINI 35.5X3.5 LADO CORONA BLAN.
53	5624	RAYON 257 X 3 NEW BLANC	SPOCKE 257 X 3 NEW WHITE	RADIO 257 X 3 NUEVO BLANCO
54	5625	ECROU DE RAYON AVANT M3.5X0.60	ECROU DE RAYON AVANT M3.5X0.60	ECROU DE RAYON AVANT M3.5X0.60

* NOUVELLE PIECE
NEW PART
PIEZA NUEVA

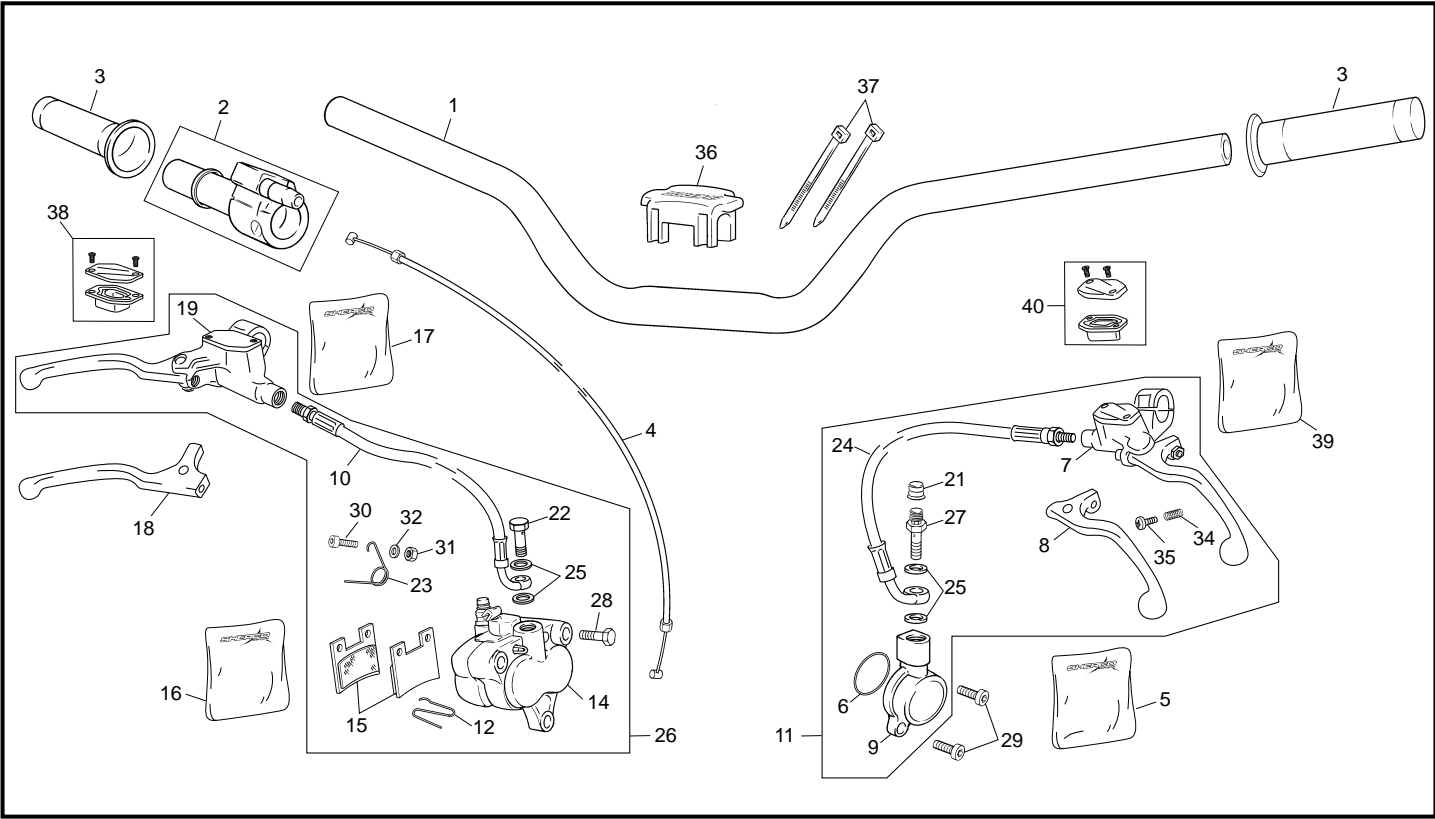
Guidon / Handlebar / Manillar



POS.	3.0	FRANÇAIS	ENGLISH	ESPAÑOL
1	5353	GUIDON TRIAL BLANCHE F	HANDLEBAR TRIAL WHITE F	MANILLAR TRIAL BLANCO F
2	C074	COMMANDE DE GAZ	THROTTLE CONTROL	MANDO DE GAS
3	1662	POIGNEE CAOUTCHOUC PAIRE REA	GRIPS SET REA	JUEGO EMPUNADURAS REA
4	1362	CABLE DE GAZ KEIHIN	THROTTLE CABLE KEIHIN	CABLE DE GAS KEIHIN
5	5529	KIT PISTON EMETEUR EMBRA. TR. BRAKTEC	PISTON KIT BBRAKE TRIAL BRAKTEC	KIT PISTONE EMPUJADOR EMBRAGUE TRIAL BRAK
6	R024	TORIQUE 35 X 31 X 2 EMB/CARTER	O-RING 31 X 2 (CLUTCH)	TÓRICA 31 X 2 EMBRA/CARTER
7	5520	POMPE EMB CPL BRAKTEC	CLUTCH FRONT PUMP ASSY BRAKTEC	CTO. BOMBA EMB BRAKTEC
8	5523	LEVIER EMBRAYAGE BRAKTEC	LEVER CLUCH BRAKTEC	MANETA EMBRAGUE BRAKTEC
9	5528	CYLINDRE RECEPTEUR D EMBRA. TR. BRAKTEC	SLAVE CYLINDER250 TRIAL BRAKTEC	BOMBÍN EMBRAGE TRIAL BRAKTEC
10	5531	DURITE FREIN AVANT BRAKTEC	FRONT BRAKE HOSE BRAKTEC	LATIGUILLO FRENO DELANTERO BRAKTEC
11	5079	GROUPE CPL EMB BRAKTEC	COMPLETE CLUTCH SET BRAKTEC	GRUPO EMBRAGUE COMPLETO BRAKTEC
12	R042	CLIP PLAQUETTES	CLIP PAD BRAKE	MUELLE PASTILLAS FRENO
14	5524	CORPS ETRIER FREIN AV. DOUBLE PISTON BRAK.	BODY FRONT CALIPER 2 PISTON BRAKTEC	CUERPO PINZA FRENO DEL DOBLE PISTON BRAK.
15	C389	PLAQUETTES FREIN AVANT PAIRE 2002	FRONT PAD BRAK PAIR 2002	JUEGO PASTILLAS FRENO DEL JUEGO 2002
16	5525	KIT REPARATION PISTON POMPE BRAKTEC	PISTON KIT 10 MM BRAKTEC	KIT REPARACIÓN PISTON BOMBA BRAKTEC
17	5517	KIT REPARATIONJ PISTON BRAKTEC	PISTON KIT 10 MM BRAKTEC	KIT REPARACIÓN PISTON BOMBA BRAKTEC
18	5519	LEVIER FREIN AVANT BRAKTEC	FRONT BRAKE LEVER BRAKTEC	MANETA FRENO DEL BRAKTEC
19	5567	POMPE FREIN AV CPL BRAKTEC	FRONT PUMP ASSY BRAKTEC	BOMBA FRENO DEL BRAKTEC
20	R057	PURGEUR ETIER AVANT	PURGE STIRRUP SCREW	SANGRADOR DELANTERO
21	R058	CAPUCHON VIS DE PURGE	HOOD SCREW PURGE	TAPON SANGRADOR
23	R043	GUIDE DURITE FREIN AV	GUIDE FRONT BRAKE HOSE	GUIA LATIGUILLO
24	5532	DURITE EMBRAYAGE BRAKTEC	CLUTCH HOSE BRAKTEC	LATIGUILLO EMBRAGUE BRAKTEC
25	3213	RONDILLE BANJO M8 (VOIR 2860)	ALUMINIUM SEAL M8 (SEE 2860)	ARANDELLA BANJO M8 (VER 2860)
26	5078	GROUPE FREIN AVANT DOUBLE PISTON BRAK.	FRONT BRAKE GROUP COMPLETE BRAKTEC	CTO. FRENO DELANTERO DOBLE PISTON BRAK.
27	5530	KIT PURGE BRAKTEC	BLEENDING SCREW KIT BRAKTEC	KIT PURGA BRAKTEC
28	R236	AXE ETRIER FREIN AV DL/PISTON	PIN FRONT CALIPER DL PISTON	EJE PINZA FRENO DL/PISTON
29	M252	VIS CHC 6 X 20 0084	SCREW CHC 6 X 20	TORNILLO 6 X 20 DIN 912
30	M283	VIS BHC 6 X 16 1093 ZI BL	SCREW BHC 6 X 16	TORNILLO 6 X 16 ULS CIN BLA
31	M306	ECROU NYLSTOP M6 0368.6	NUT NYLSTOP M6	TUERCA NYLSTOP M6
32	M317	RONDILLE 6 X12 0407 6	WASHER X 6	ARANDELA 6 DIN 125 A
34	R367	RESSORT LEVIER EMB	SPRING CLUTCH LEVER	MUELLE REGULATION LEVA EMB
35	R368	VIS TENDEUR LEVIER EMB	SCREW REGUL CLUTCH LEVER	TORNILLO REGULATION LEVA EMB
36	1227	MOUSSE GUIDON TRIAL	FOAM HANDLEBAR	ESPUMA MANILLAR TRIAL
37	1246	COLLIER RISLAN MOUSSE	COLLIER	ABRAZADERA PROTECTOR MANILLAR

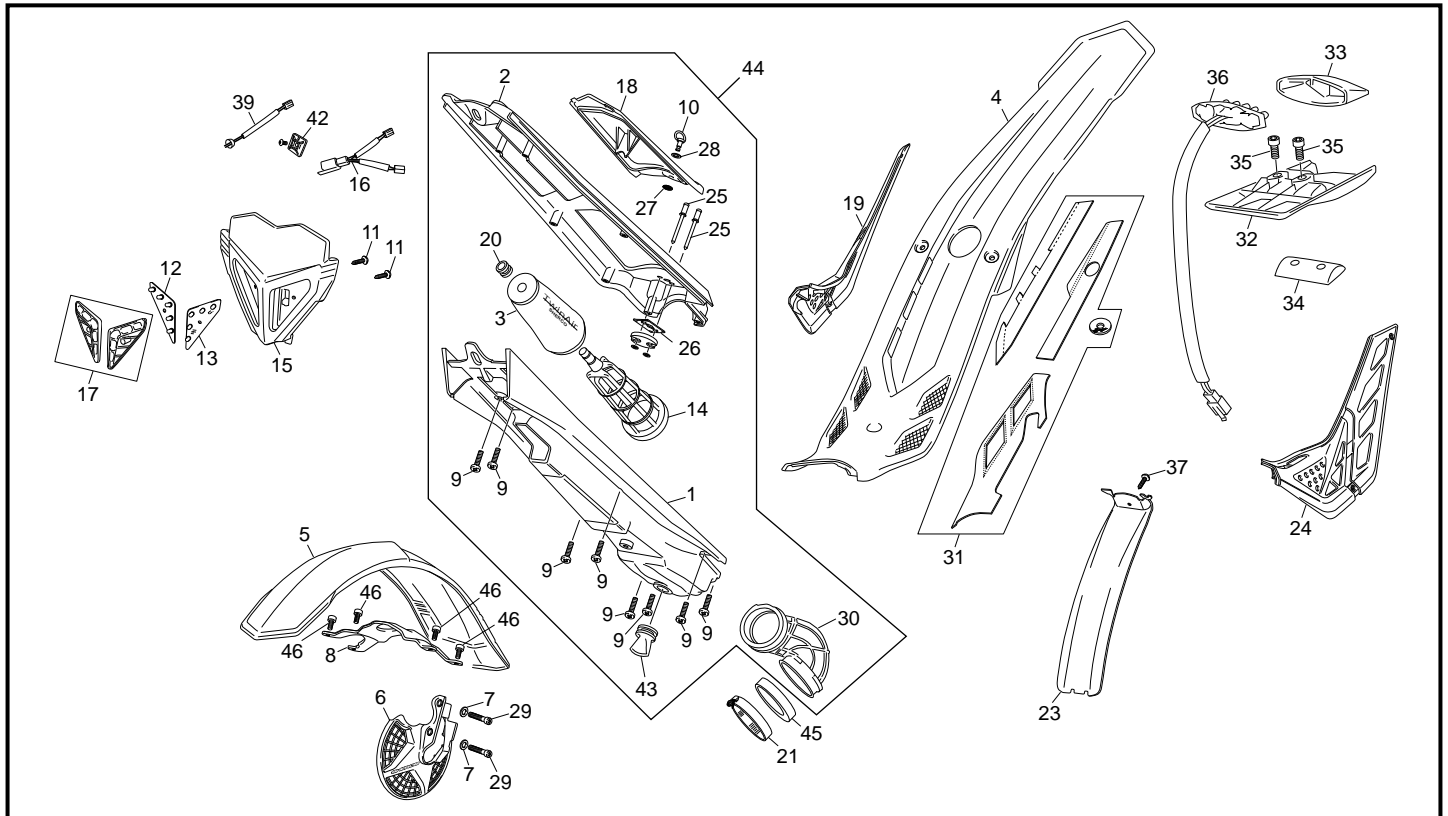
8

Guidon / Handlebar / Manillar



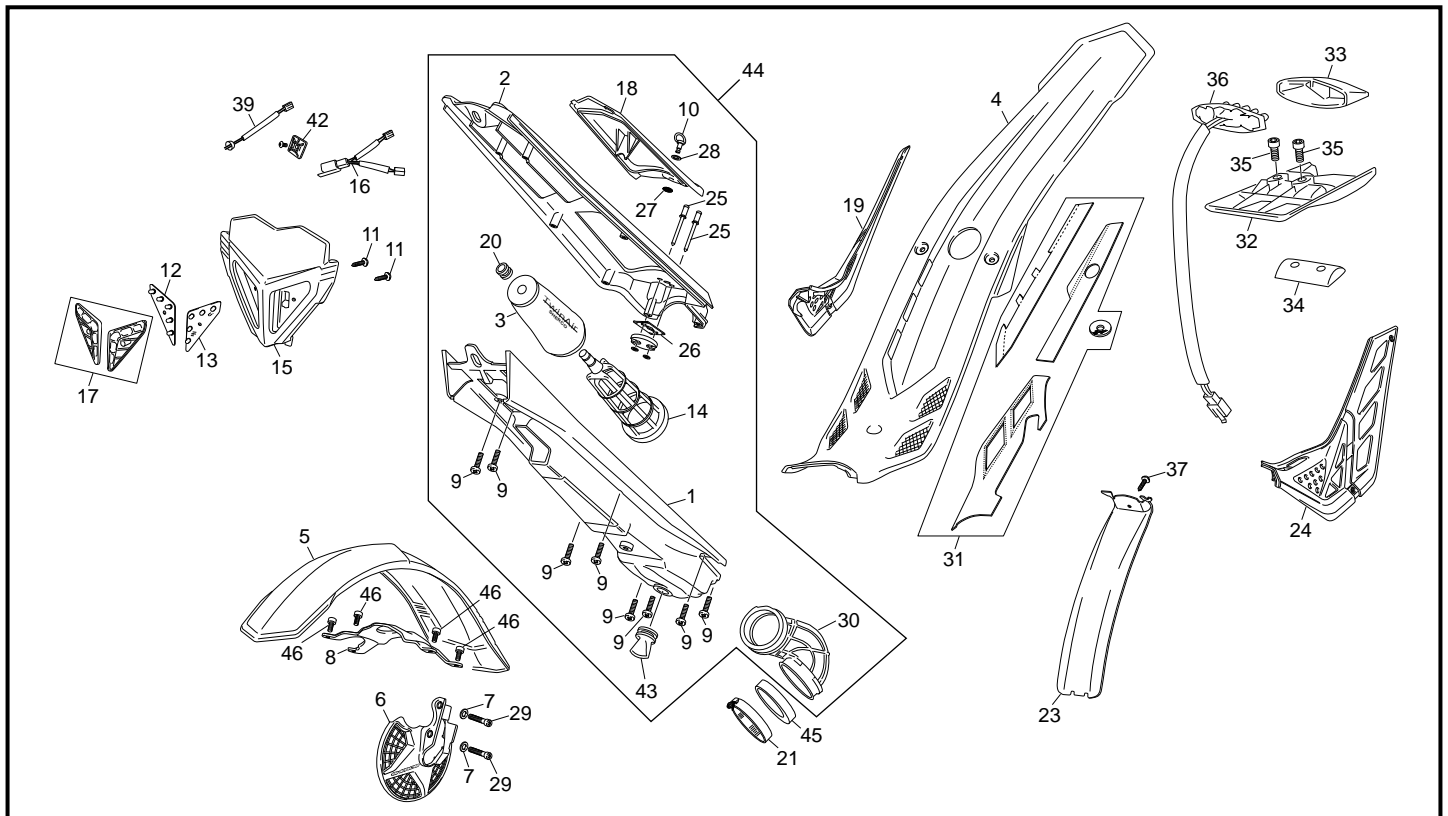
POS.	3.0	FRANÇAIS	ENGLISH	ESPAÑOL
38	5518	KIT RESERVOIR POMPE FREIN BRAKTEC	FRONT BRAKE GROUP BRAKTEC	CTO DEPOSITO FRENODELANTERO BRAK.
39	5521	KIT REPARATIONJ PISTON EMB BRAKTEC	PISTON CLUTCH KIT BRAKTEC	KIT REPARACIÓN PISTON EMBRAGUE BRAK.
40	5522	KIT RESERVOIR POMPE EMB BRAKTEC	RESERVOIR KIT FORMULA BRAKTEC	KIT TAPA DEPOSITO BOMBA EMB BRAKTEC

Plastiques / Plastics / Plásticos

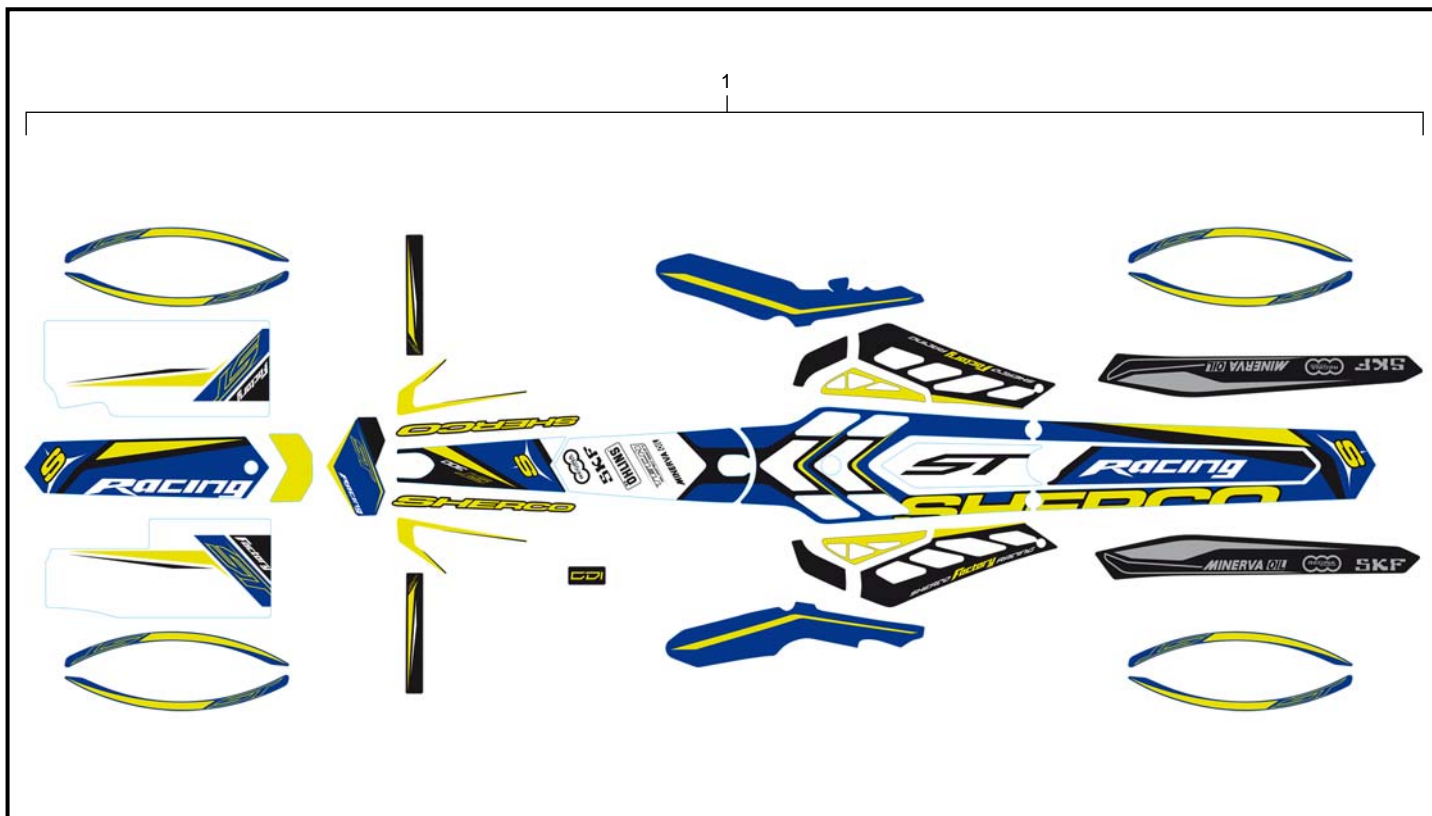


POS.	3.0	FRANÇAIS	ENGLISH	ESPAÑOL
1	3588	CORPS FILTRE INF	BODY FILTER INF	CUERPO FILTRO INF
2	3589	CORPS FILTRE SUP	BODY FILTER	CUERPO FILTRO
3	3590	MOUSSE DE FILTRE	FOAM FILTER	ESPUMA DE FILTRO
4	5072	REAR MUDGUARD NOIR TR	REAR MUDGUARD BLACK TR	GUARDABARRO TRASERO NEGRO TR
5	5071	FRONT MUDGUARD NOIR TR	FRONT MUDGUARD BLACK TR	GUARDABARRO DELANTERO NEGRO TR
6	3400	ARCEAU FOURCHE TS	MUDGUARD HOLDER TS	PUENTE SUSPENSIÓN TS
7	C031	ENTRETOISE PARE DISQUE	SPACER DISC COVER	SEPARADOR CUBREDISCOS DEL.
8	5380	ARCEAU FOURCHE TS OR SHERCO F 2015	MUDGUARD HOLDER TS GOLD SHERCO F 2015	PUENTE SUSPENSIÓN TS DORADO F 2015
9	2266	VIS SPECIAL PLASTIQUE	PLASTIC SPECIAL SCREW	TORNILLO ESPECIAL PLÁSTICO
10	2267	DZUS DE FILTRE	FILTER DZUS	DZUS DE FILTRO
11	M335	VIS TOLE 3.9 X 16	SCREW TOLE 3.9 X 16	TORNILLO TOLE 3.9 X 16
12	2360	LED AVANT DROITE	FRONT RIGHT BULB	LED DELANTERO DERECHO
13	2361	LED AVANT GAUCHE	FRONT LEFT BULB	LED DELANTERO IZQUIERDO
14	3587	GRILLE FILTRE	FILTER PROTECTOR	REJILLA FILTRO
15	3163	PLAQUE PHARE NOIR TR	PLASTIC LIGHT COVERT BLACK TR	PLACA FARO NEGRA TR
16	2821	FAISEAU OPTIQUE TRIAL	FRONT LIGHT CABLE SYSTEM TRIAL	INSTALACIÓN ÓPTICA TRIAL
17	2358	OPTIQUE DOUBLE	DOUBLE FRONT LIGHT	ÓPTICA DOBLE 2010
18	3524	AIR FILTER BOX COVER	AIR FILTER BOX COVER	TAPA FILTRO 2012
19	2257	GRILLE PROTECTEUR ECHAPEMENT	PROTECTOR EXHAUST COVER	REJILLA PROTECTOR ESCAPE
20	C118	SILENT BLOC RADIATEUR	SILENT-BLOC RADIATOR	SILENT-BLOC RADIADOR
21	0595	COLLIER KC060 MANCHON CORP INJ. EN.450	COLLAR KC060 HOSE BODY INJ. END 450	BRIDA TOBERA KC060 CUERPO INY. END 450
23	2364	BAVETTE AM	REAR SHOCK COVER	PROTECTOR AMORTIGUADOR
24	2258	GRILLE PROTECTEUR RESERVOIR	PROTECTOR TANK COVER	REJILLA PROTECTOR DEPÓSITO
25	2268	RIVET ZEBRA 2.4 X 9	RIVET POP DIAM 2.4 X 9	REMACHE 2.4 X 9
26	2317	PLAQUE DZUS TRIAL	PLAQUE DZUS TRIAL	PLAQUE DZUS TRIAL
27	2318	RONDELLE VEROUILLAGE DZUS TRIAL	WASHER RETÉNTION DZUS TRIAL	ARANDELA RETENCIÓN DZUS TRIAL
28	2319	RONDELLE PLASTIQUE DZUS TRIAL	WASHER PLASTIQUE DZUS TRIAL	ARANDELA PLÁSTICO DZUS TRIAL
29	M267	VIS CHC 4 X 16 0084	SCREW VIS CHC 4 X 16	TORNILLO 4 X 16 ALLEN
30	3592	RACCORD FILTRE CARBU 2T TR	MANIFOLD FILTER/CARBU 2T TR	TOBERA FILTRO CARBURADOR 2T TR
31	2275	ADESIF THERMIQUE GB AR JEU	SET THERMIC STECKER MUDGUARD	PROTECTOR TÉRMICO GB TRAS JUEGO
32	2048	SUPPORT FEU ARRIERE TR	FIXATION RED LIGHT TR	SOPORTE LUZ TRASER TR 09
33	2049	FEU ARRIERE TR	REA LIGHT TR	LUZ TRASERA TR 09
34	2047	FIXATION SUPPORT IMMATRICULATION TR	FIXATION MATRICULATION SUPPORT TR	SUJECIÓN SOPORTE MATRÍCULA TR
35	2052	VIS BHC 5 X 20	SCREW BHC 5 X 20	TORNILLO 5 X 20 ULS

Plastiques / Plastics / Plásticos

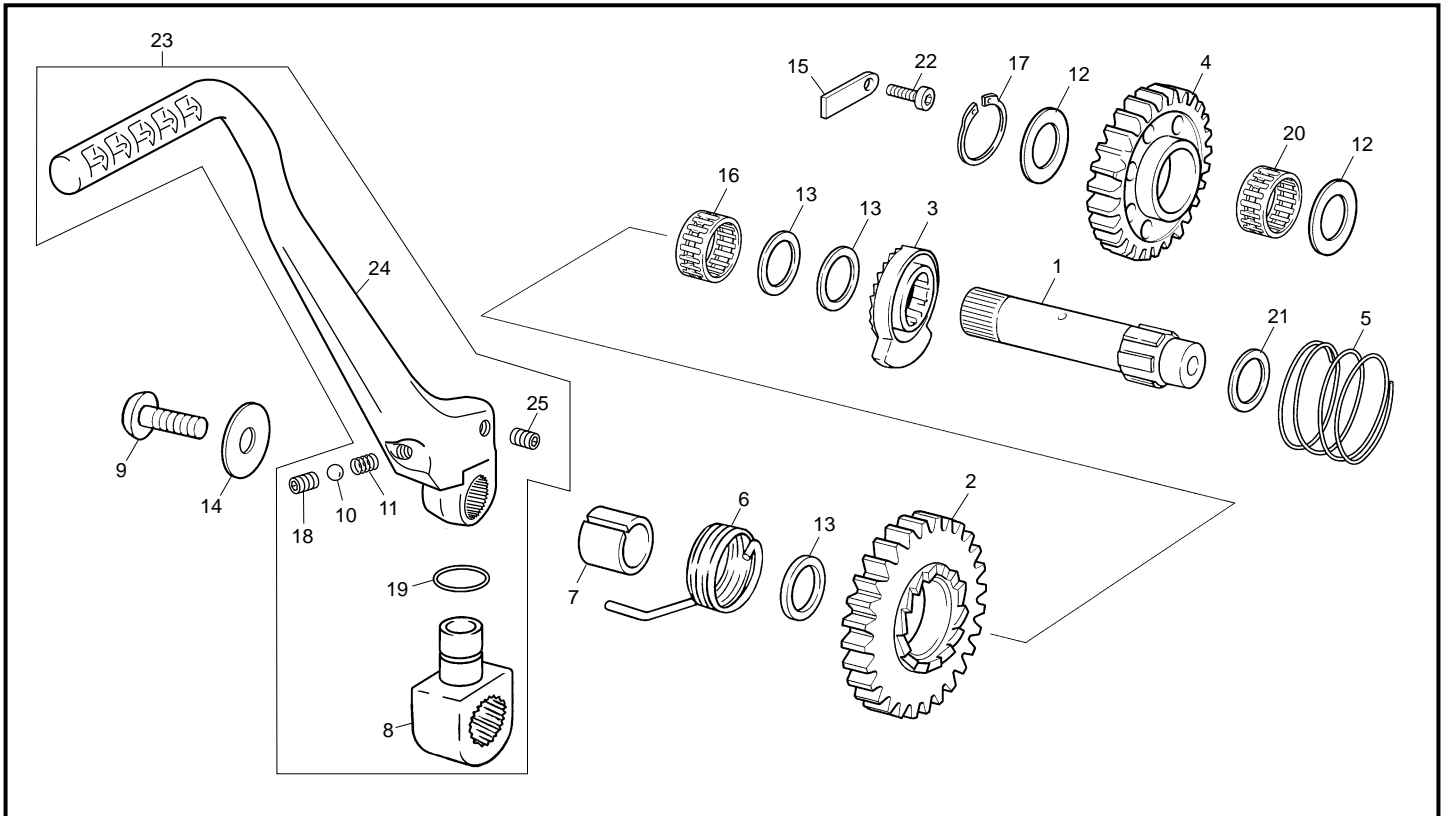


POS.	3.0	FRANÇAIS	ENGLISH	ESPAÑOL
36	2035	LED ARRIERE TR	REAR BULB TR	LED TRASERO TR
37	M345	VIS BHC 6 X 12 CAROSSERIE	SCREW BHC 6 X 12 BODY	TORNILLO BHC 6 X 12 CARROCERÍA
39	2921	INTERUPTEUR LUMIERE TRIAL	FRONT LIGHT STOP TRIAL	INTERRUPTOR LUCES TRIAL
42	3202	FIXATION INTERRUPTOR LUMIERE	STRAP FIX INT	LAPA FIJACIÓN INTERRUPTOR
43	1167	VALVE CAISSE FILTRE	VALVE BOX FILTER	VÁLVULA CA JA FILTRO
44	5073	BOITE FILTRE COMPLETE NOIR TR	COMPLET FILTER BOX BLACK TR	CAJA FILTRO COMPLETA NEGRA TR
45	----	ADAPTATEUR CARD. DELLORTO	ADABTER TIPER DELLORTO	ADAPTADOR CARDURADOR DELLORTO
46	2938	VIS CHC 6 X 12 0084	SCREW CHC 6 X 12	TORNILLO 6 X 12 DIN 912



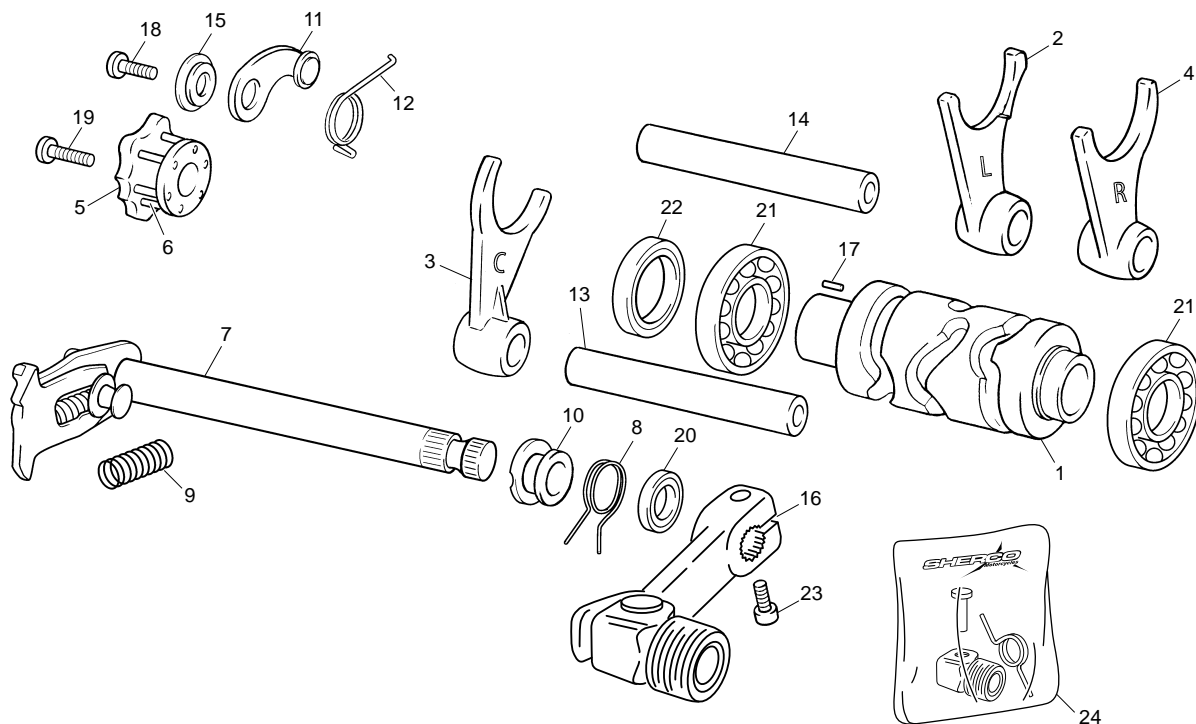
POS.	3.0	FRANÇAIS	ENGLISH	ESPAÑOL
1	NEW	KIT ADHESIF	KIT STICKER	KIT ADHESIVO

Lanceur / Kickstarter assembly / Pedal arranque



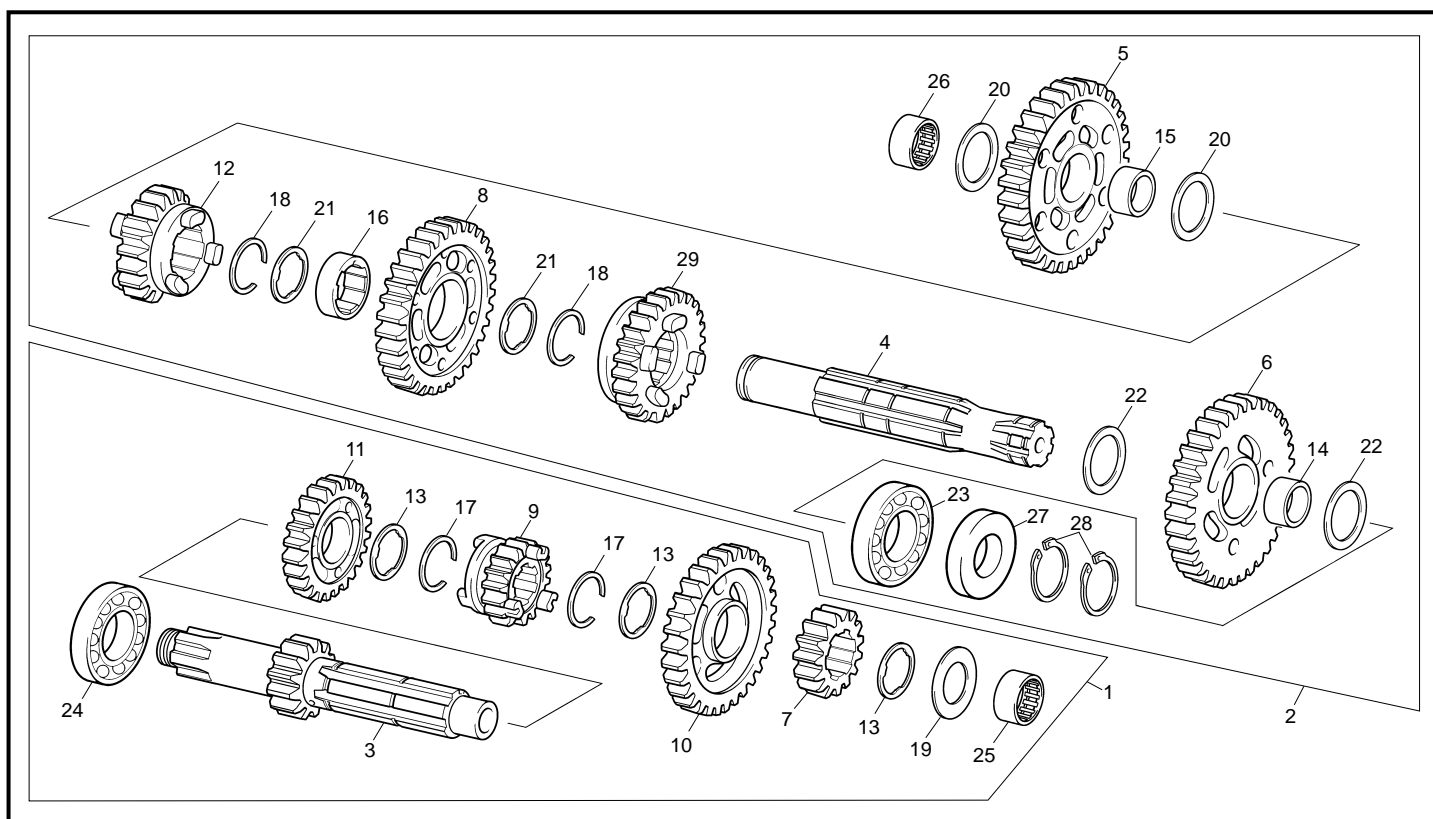
POS.	3.0	FRANÇAIS	ENGLISH	ESPAÑOL
1	M150	ARBRE LANCEUR	KICKSTART AXLE	EJE ARRANQUE
2	M151	PIGNON LIBRE DENT DE LOUP	KICKSTART PINION	PIÑÓN TRINQUETE
3	M152	COULISSEAU DENT DE LOUP	FREE RATCHET KICKSTART	TRINQUETE DESPLAZABLE
4	M153	ROUE INTERMEDIAIRE	IDLE GEAR KICKSTART	RUEDA INTERMEDIA
5	M155	RESSORT COULISSEAU D DE L	COMPRESSION SPRING	MUELLE TRINQUETE
6	4201	RESSORT DE RAPPEL KICK SC	KICK STARTING SPRING SC	MUELLE DE RETOURNO SC
7	M157	DOUILLE CENTRAGE RESSORT	SPACER SPRING KICK START	CASQUILLO CENTRAJE MUELLE
8	3215	NOIX DE KICK WI	KICKSTART BOTTOM WI	MUNEQUILLA PEDAL ARRANQUE WI
9	M280	VIS BHC 8 X 16 1093	SCREW BHC 8 X 16	TORNILLO 8 X 16 ULS
10	M160	BILLE 5.5	5.5 BALL	BOLA 5.5
11	M161	RESSORT DE POUSSEE BILLE	BALL SPRING	MUELLE PULSADOR BOLA
12	M163	RONDELLE INA AS 17X30X1	WASHER INA AS 17X30X1	ARANDELA INA AS 17X30X1
13	M164	RONDELLE ARBRE 17X25X1	WASHER 17X25X1	ARANDELA EJE ARRANQUE 17X25X1
14	M319	RONDELLE 8 X 18 X 1.5 CONIQUE	WHASHER 8 X 18 X 1.5	ARANDELA DE PLATILLO 8 X 18 X 1.5
15	4157	BUTEE COULISSEAU D DE L LONG	TOP RATCHET LONG	TOPE TRINQUETE DESPLAZABLE LARGO
16	M167	CAGE AIGUILLE PIG. DENT LOUP K17X21X10	NEEDLE BEARING K17X21X10	JAULA AGUJAS PIÑÓN TRINQUETE K17X21X10
17	M171	SEGMENT ARRET DIAN 17	RETAINING RING 17	SIGER DIÁMETRO 17
18	M169	VIS SANS TETE DU KICK	SCREW NO HEAD KICK LEVER	TORNILLO ALEN SIN CABEZA PEDAL ARRANQUE
19	M168	TORIQUE 14 X18X2	O RING 14X18X2	TÓRICA 14X18X2
20	M077	DOUILLE AIGUILLE HK1712B	NEEDLE BEARING 17X23X12	CASQUILLO DE AGUJAS 17X23X12
21	M165	RONDELLE ARBRE 16X25X1	WASHER 16X25X1	ARANDELA EJE ARRANQUE 16X25X1
22	M251	VIS CHC 6 X 16 0084	SCREW CHC 6 X 16	TORNILLO 6 X 16 DIN 912
23	4539	KICK COMPLET WI LARGE	KICK START WI LONG	PEDAL ARRANQUE WI LARGO
24	3428	LEVIER DE KICK 2011 SEUL TR	KICK START LEVER 2011 ONLY TR	PEDAL ARRANQUE 2011 SOLO TR
25	M400	VIS SANS TETE DU KICK M5X12	SCREW NO HEAD KICK LEVER M5X12	ESPARRAGO M5X12 DIN 913

Selecteur / Gear selector group / Selector cambio



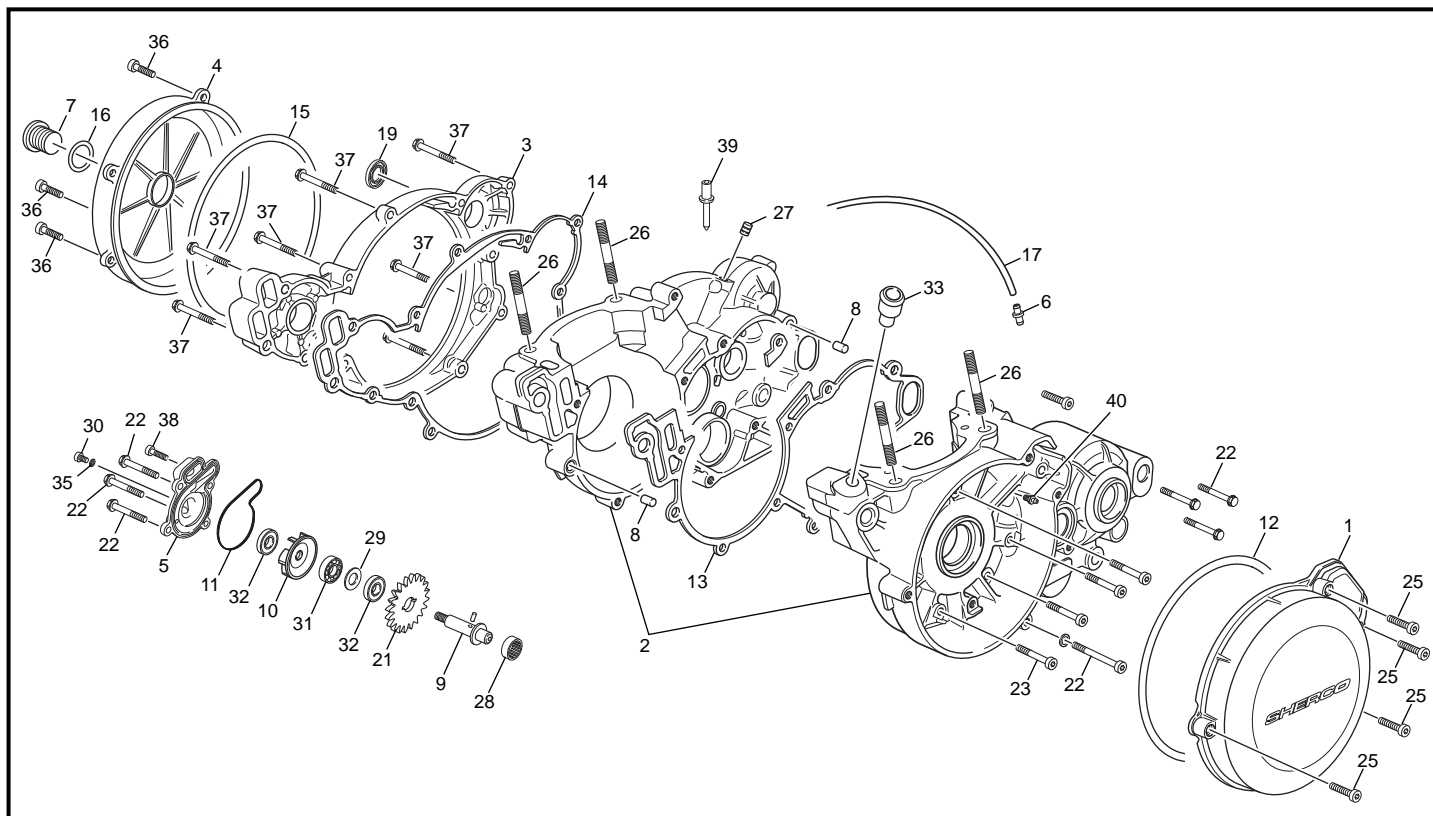
POS.	3.0	FRANÇAIS	ENGLISH	ESPAÑOL
1	M100	TAMBOUR DE SELECTION	SELECTOR DRUM	DESMODRÓMICO SELECTOR
2	M102	FOURCHETTE L	L FORK	HORQUILLA L
3	M103	FOURCHETTE C	C FORK	HORQUILLA C
4	M104	FOURCHETTE R	R FORK	HORQUILLA R
5	M105	ETOILE DE SELECTION CPL	INDEX SHIM	ESTRELLA SELECTOR
6	M106	PION ETOILE INA NRA 3X17.8	NEEDLE PIN NRA3X17.8	AGUJA DE LA ESTRELLA INA NRA3X17.8
7	M107	ARBRE DE SELECTEUR CPL	SHIFT SHAFT WITH PAWL ASSY	ÁRBOL SELECTOR
8	M110	RESSORT RAPPEL SELECTION	SPRING SHIFT LEVER	MUELLE RETORNO SELECTOR
9	M111	RESSORT RAPPEL COULISSEAU	SPRING COULISSEAU	MUELLE RETORNO ESORPIÓN
10	M113	DOUILLE CENTRAGE RESSORT RAPPEL	SPACER SPRING SHIFT LEVER	CASQUILLO CENTRAJE MUELLE RETORNO
11	M114	LEVIER DE VERROUILLAGE CPL	INDEX LEVER ASSY	PALANCA DE CIERRE SELECTOR
12	M117	RESSORT DE RAPPEL LEVIER VERROUIL	INDEX SPRING	MUELLE RETORNO PALANCA DE CIERRE
13	M118	AXE DE FOURCHETTE COURT	FORK SPINDLE	EJE DE HORQUILLA CORTO
14	M119	AXE DE FOURCHETTE LONG	FORK SPINDLE LONG	EJE DE HORQUILLA LARGO
15	M121	DOUILLE LEVIER VERROUILLAGE	SPACER INDEX LEVER	CASQUILLO PALANCA CIERRE
16	5611	SELECTEUR EXTERIEUR NOIRE F	SHIFT LEVER ASSY BLACK F	PALANCA DE CAMBIO NEGRA F
17	M122	PION CLAVETAGE ETOILE NRA3X11.8	NEEDLE PIN NRA3X11.8	AGUJA POSICIONADO ESTRELLA NR3X11.8
18	M251	VIS CHC 6 X 16 0084	SCREW CHC 6 X 16	TORNILLO 6 X 16 DIN 912
19	M253	VIS CHC 6 X 30 0084	SCREW CHC 6 X 30	TORNILLO 6 X 30 DIN 912
20	M126	JOINT LEVRE 12 X 19 X 5 DL	OIL SEAL 12X19X5	RETÉN 12X19X5 DL
21	M123	ROULEMENT 25X37X7 R61805	BEARING 25X37X7 R61805	COJINETE 25X37X7 R61805
22	M124	JOINT A LEVRE G28X37X4	OIL SEAL G28X37X4	RETÉN G28X37X4
23	M252	VIS CHC 6 X 20 0084	SCREW CHC 6 X 20	TORNILLO 6 X 20 DIN 912
24	NEW	KIT REPARATION SELECTEUR F	KIT REPARATION SELECTOR F	KIT REPARACIÓN SELECTOR F

Boite a vitesses / Gear set / Cambio



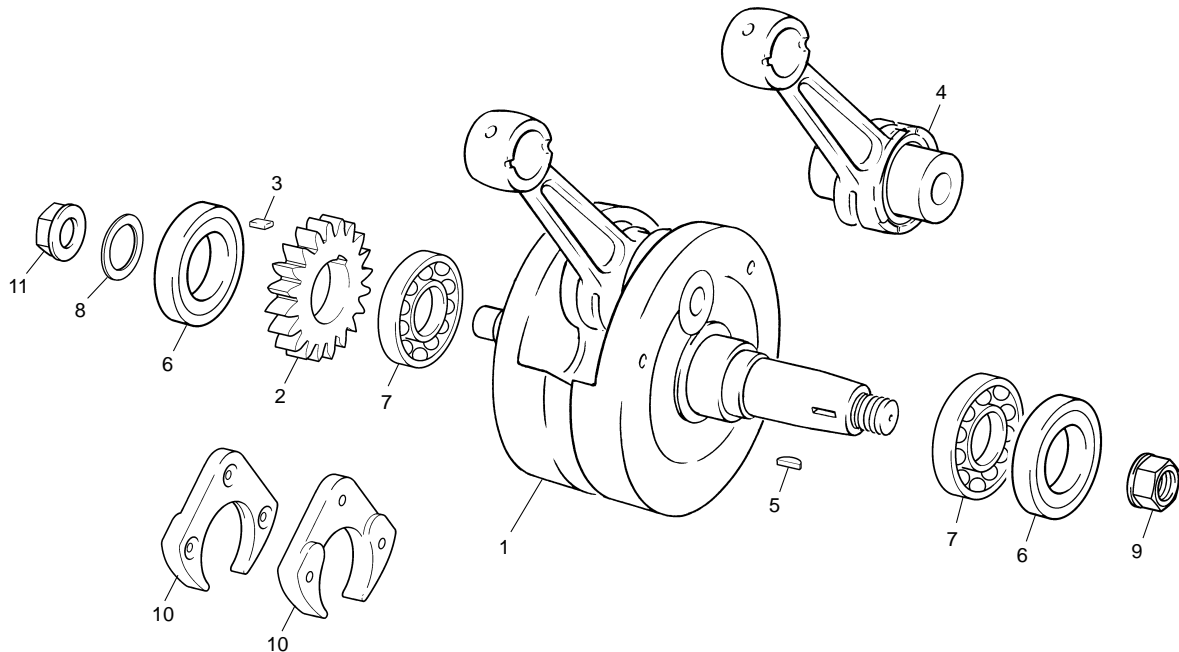
POS.	3.0	FRANÇAIS	ENGLISH	ESPAÑOL
1	M390	ENSEMBLE ARBRE PRIMAIRE 03	GROUP FIRST SHAFT WITH PINION 03	CONJUNTO EJE PRIMARIO CAMBIO 03
2	M391	ENSEMBLE ARBRE SECONDAIRE 03	GROUP SECOND SHAFT WITH PINION 03	CONJUNTO EJE SECUNDARIO 03
3	M374	ARBRE PRIMAIRE / PIGNON 1ERE EVOL 2	GEAR CLUTCH SHAFT EVOL 2	EJE PRIMARIO EVOL 2
4	M054	ARBRE SECONDAIRE	MAINSHAFT	EJE SECUNDARIO
5	M367	PIGNON SECONDAIRE 1ERE EVOL 2	PINION SECOND 1ERE EVOL 2	PIÑÓN SECOND 1ERE EVOL 2
6	M056	ROUE LIBRE DE 2EME	FREE PINION 2 EME	CORONA DE 2a
7	M057	PIGNON FIXE DE 2 EME	GEAR PINION 2EME	PIÑÓN DE 2a
8	M058	ROUE LIBRE DE 3 EME	FREE PINION 3 EME	CORONA DE 3a
9	M059	PIGNON BALADEUR DE 3EME	GEAR PINION 3 EME	PIÑÓN DESPLAZABLE 3a
10	M061	ROUE LIBRE DE 5 EME	GEAR PINION 5 EME	CORONA DE 5a
11	M062	PIGNON LIBRE DE 4 EME	FREE PINION 4 EME	PIÑÓN DE 4a
12	M063	ROUE BALADEUSE DE 4 EME	FREE PINION 4 EME	CORONA DESPLAZABLE DE 4a
13	M064	RONDILLE CRENEAUX 20X24X1	GEAR WASHER 20X24X1	ARANDELA ESTRIADA 20X24X1
14	M065	DOUILLE ANTI FRICTION 1ERE	BUSH 1ERE	CASQUILLO ANTI-FRICCIÓN 1a
15	M066	DOUILLE ANTI FRICTION 2EME	BUSH 2 EME	CASQUILLO ANTI-FRICCIÓN 2a
16	M067	DOUILLE ANTI FRICTION 3EME	BUSH 3 EME	CASQUILLO ANTI-FRICCIÓN 3a
17	M068	SEGMENT ARRET SW 20	RETAINING SW 20	SEGER SW 20
18	M069	SEGMENT ARRET SW 22	RETAINING SW 22	SEGER SW 22
19	M070	RONDILLE INA ARBRE PRIMAIRE 15X28X1	THRUST WASHER 15X28X1	ARANDELA INA EJE PRIMARIO 15X28X1
20	M071	RONDILLE ARBRE SECONDAIRE 17X27X1	MAINSHAFT WASHER 17X27X1	ARANDELA EJE SECUNDARIO 17X27X1
21	M072	RONDILLE CRENEAU ARBRE SECOND. 22X28X1	WASHER 22X28X1	ARANDELA ESTRIADA EJE SECOND. 22X28X1
22	M073	RONDILLE ARBRE SECONDAIRE 20X27X1	MAINSHAFT WASHER 20X27X1	ARANDELA EJE SECUNDARIO 20X27X1
23	M074	ROULEMENT 20X47X14	BEARING 20X47X14	COJINETE 20X47X14
24	M075	ROULEMENT 20X47X14 2RSH	BEARING 20X47X14 2RSH	COJINETE 20X47X14 2RSH
25	M076	DOUILLE AIGUILLE 15X21X12	NEEDLE BEARING 15X21X12	CASQUILLO DE AGUJAS 15X21X12
26	M077	DOUILLE AIGUILLE HK1712B	NEEDLE BEARING 17X23X12	CASQUILLO DE AGUJAS 17X23X12
27	M078	JOINT DOUBLE LEVRE 20X30X7	OIL SEAL 20X30X7	RETÉN DOBLE LABIO 20X30X7
28	M350	SEGMENT ARRET WR 20 SORTIE BOITE	SEGMENT ARRET WR 20	SEGMENT ARRET WR 20
29	M060	PIGNON BALADEUR DE 5 EME	FREE PINION 5 EME	PIÑÓN LIBRE 5a

Groupe carters / Crankcase assembly / Grupo cárter



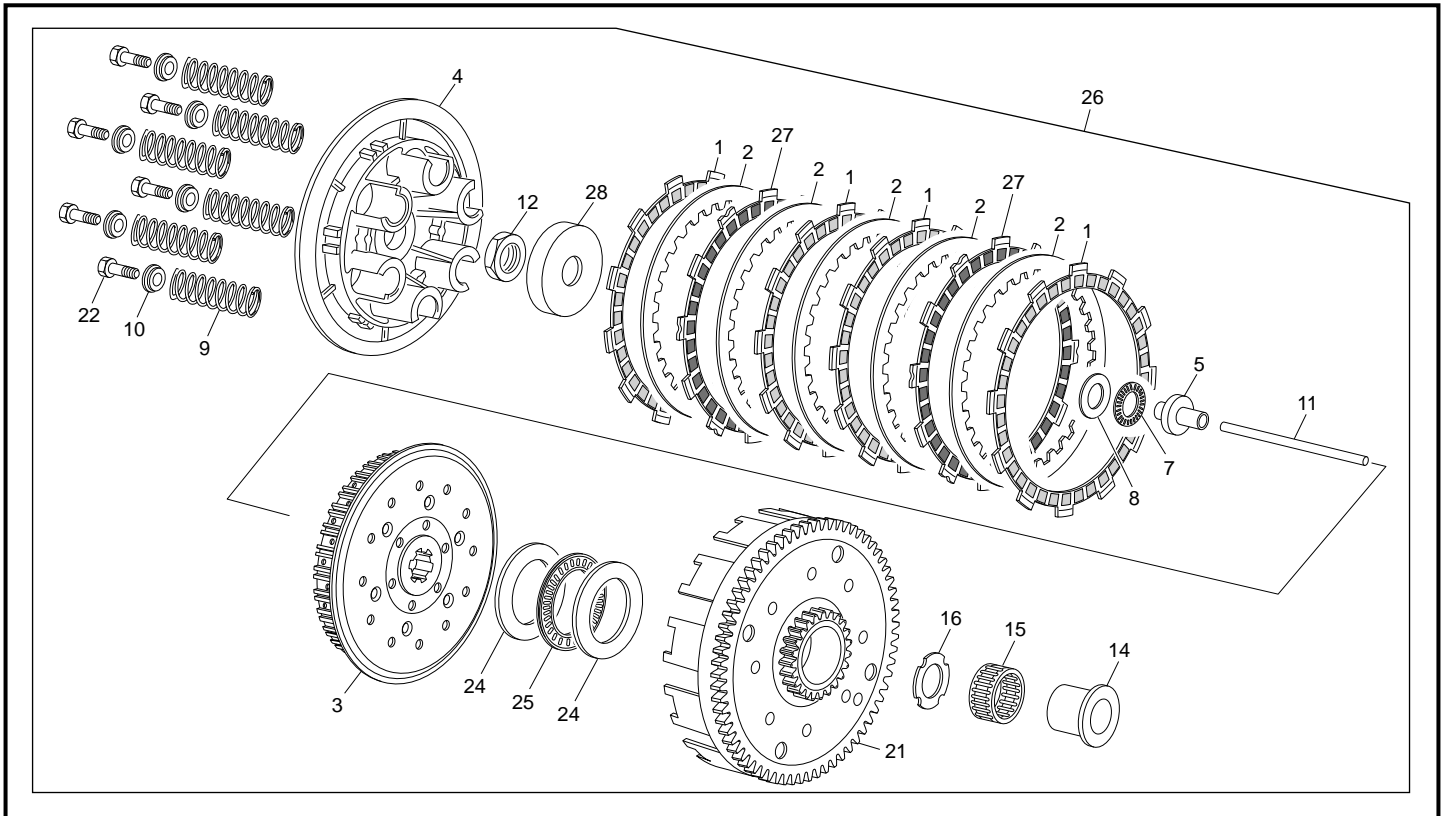
POS.	3.0	FRANÇAIS	ENGLISH	ESPAÑOL
1	3142	CARTER ALLUMAGE 09 NOIR	IGNITION COVER 09 BLACK	TAPA ENCENDIDO 09 NEGRA
2	3129	CARTERS CENTRAUX TR NOIR	CRANKCASES SET TR	CÁRTERS CENTRALES 125 TR 09 NEGRO
3	3130	CARTER LATÉRAL DROITE TR	BOTTOM CLUTCH COVER TR	CARTER LATÉRAL DERECHO TR
4	3131	COUVERCLE EMBRAYAGE TR	CLUTCH COVER TR	TAPETA EMBRAGUE TR
5	3132	COUVERCLE POMPE EAU TR	WATER PUMP COVER TR	TAPA BOMBA AGUA TR
6	M016	RENIFLAR CARTER CENTRAL	AIR VENT CRANKCASES	DEPRESOR CARTERS
7	4544	BOUCHON REMPLISSAGE HUILE NOIR	CARTER FILTER TAP BLACK	TAPÓN LLENADO ACEITE CARTER NEGRO
8	M022	DOUILLE CENTRAGE CARTER	DOUILLE CENTRAGE CARTER	CASQUILLO CENTRADOR CARTER
9	M363	AXE POMPE EAU EVOLUTION 3	WATER PUMP AXE EVOLUTION 3	EJE BOMBA AGUA EVOLUTION 3
10	M351	TURBINE POMPE EAU EVOLUTION 2	WATERPUMP TURBINE EVOLUTION 2	TURBINA BOMBA AGUA EVOLUTION 2
11	3133	JOINT TORIQUE COUVERCLE POMPE 37X2	O-RING WATER PUMP COVER 37X2	JUNTA TÓRICA TAPA BOMBA AGUA 37X2
12	3158	JOINT TOR. COUVERCLE ALLUMAGE 144X2	O-RING IGNITION COVER 144X2	JUNTA TÓRICA TAPA ENCENDIDO 144X2
13	3134	JOINT CARTER CENTRAL	CENTRAL CRANKCASE GASKET	JUNTA CARTER CENTRAL
14	3135	JOINT CARTER LATÉRAL	CLUTCH GASKET	JUNTA CARTER LATÉRAL
15	3141	JOINT TORIQUE 156 X2	O-RING 155X2	JUNTA TÓRICA 155X2
16	M162	TORIQUE 10X2.5 BOUCHON HUILE	O-RING 10X2.5 OIL PLUG	TÓRICA 10X2.5 TAPÓN ACEITE
17	M017	DURITE RENIFLARD 3X5	TUBE AIR VENT CRANKCASES 3X5	TUBO DEPRESOR 3X5
19	3128	JOINT DOUBLE LEVRES 17X24X5	OIL SEAL 17X24X5	RETÉN DOBLE LABIO 17X24X5
21	M364	PIGNON POMPE EAU NYLON	PINION WATER PUMP NYLON	PIÑÓN BOMBA AGUA NYLON
22	0549	VIS TH EP 6 X 45	SREW TH EP 6 X 45	TORNILLO TH EP 6 X 45
23	3235	VIS TH EP 6 X 50	SCREW TH EP M6 X50	TORNILLO TH EP M6 X50
25	3269	VIS CHC 5 X 20 0084	SCREW CHC 5 X 20	TORNILLO 5 X 20 ALLEN
26	M291	GOIJON DE CYLINDRE 8 X 46	STUD CYLINDRE 8 X 46	ESPARRAGO CILINDRO 8 X 46
27	2386	BOUCHON CANALISATION HUILE 6X8	LUBRICATION CAP 6X8	TAPA CANALIZACIÓN 6X8
28	M029	ROULEMENT AIGUILLE POMPE EAU HK0808	WATER PUMP NEEDLE BEARING HK 0808	COJINETE AGUJAS BOMBA AGUA HK 0808
29	M030	RONDILLE BUTÉE POMPE A EAU 8X16X1	WATERPUMP BUSH 8X16X1	ARANDELA BOMBA AGUA 8X16X1
30	M288	VIS CHC 5X6 1093	SCREW CHC 5X6	TORNILLO CHC 5X6
31	M027	ROULEMENT BILLE POMPE EAU 608.2RSH	WATER PUMP BEARING 608.2RSH	COJINETE BOMBA AGUA 608.2RSH
32	M031	JOINT POMPE A EAU 8X20X5DL	WATER PUMP SEAL 8X20X5DL	RETÉN BOMBA AGUA 8X20X5DL
33	3143	RACCORD DURITE CARTER RADIATEUR	WATER CONEXION	CONECTOR TUBO AGUA CÁRTER A RADI.
35	M277	RONDILLE ALU M5 0463 5X10	GASKET RING X5	ARANDELA ALUMINIO X5
36	0550	VIS TH EP 6 X 55	SREW TH EP 6 X 55	TORNILLO TH EP 6 X 55
37	0970	VIS TH EP 6 X 25	SCREW TH EP M6 X 25	TORNILLO TH EP M6 X 25
38	0546	VIS TH EP 6 X 20	SREW TH EP 6 X 20	TORNILLO TH EP 6 X 20
40	2868	CONEXION PIPE ADMISION	CONEXION PIPE ADMISION	RACORD TOBERA CAJA LAMINAS

Villebrequin assemble / Crankshaft assembly / Cigüeñal biela



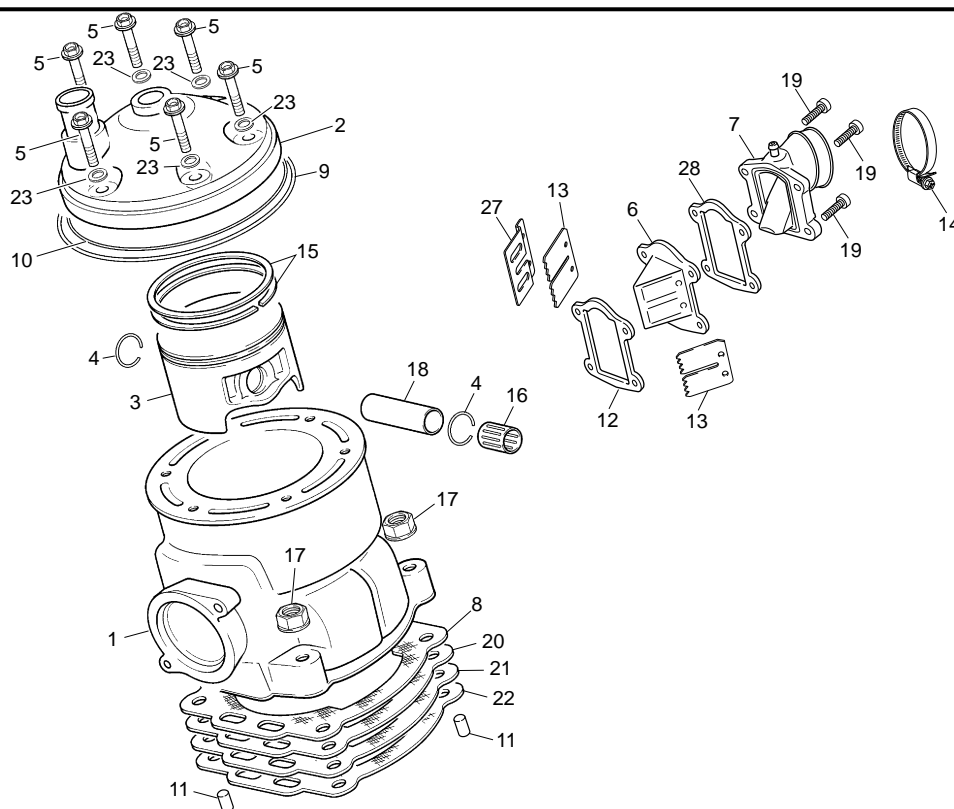
POS.	3.0	FRANÇAIS	ENGLISH	ESPAÑOL
1	3152	VILEBREQUIN COMPLET 125/200CC	CRANCK SHAFT 125/200CC	CIGUENAL COMPLETO 125/200CC
2	M200	PIGNON PRIMAIRE	PINION PRIMARY DRIVE	PIÑÓN PRIMARIA
3	M204	CLAVETTE PIGNON PRIMAIRE	WOODRUFF KEY PRIMARY DRIVE	CHAVETA PINON PRIMARIA
4	R021	KIT BIELLE	ROD KIT	KIT BIELA
5	M023	CLAVETTE DEMI LUNE VILO	WOODRUFF KEY	CHAVETA ENCENDIDO
6	M032	JOINT 25 X 35 X 7 DL VILO	CRANKSHAFT SEAL 25 X 35 X 7	RETÉN 25 X 35 X 7 DL CIGÜEÑAL
7	M028	ROULEMENT 6205 2RSHTN9/C4 VILO	CRANKSHAFT BEARING	RODAMIENTO CIGUENAL
8	M206	RONDELLE BELLEVILLE 14.2X28X1.5 VOIR REF.0887	SPRING WASHER 14.2X28X1.5 SEE COD. REF.0887	ARANDELA CÓNICA 14.2,28X1.5 VER REF.0887
9	M295	ECROU 14 X 125	HEX NUT M14 X 125	TUERCA M14 X 125
10	C309	BOUCHON PLASTIC DE VILO	HANDCRAFT PLASTIC PLUG	TAPÓN INTERNO DE CIQUENAL
11	3144	ECROU 14 X 125	HEX NUT M14 X 125	TUERCA M14 X 125

Embrayage / Clutch / Embrague



POS.	3.0	FRANÇAIS	ENGLISH	ESPAÑOL
1	M080	DISQUE GARNI	FRICTION CLUTCH DISK	DISCO EMBRAGUE FORRADO
2	M081	DISQUE LISSE	METAL CLUTCH DISK	DISCO EMBRAGUE METALICO
3	4100	NOYAU POUR ROULEMENT	CLUTCH HUB FOR BEARING	CUBO EMBRAGUE PARA RODAMIENTO
4	5765	PLATEAU SURFLEX R	CLUTCH SPRING HOLDER SURFLEX R	PLATO EMBRAGUE SURFLEX R
5	M085	POUSSOIR AXIAL	CLUTCH PULLER	PULSADOR AXIAL
6	M087	RONDELLE BELLEVILLE 16.3X31.5X2.5	FIXING BUSH 16.3X31.5X2.5	ARANDELLA FIJACION 16.3X31.5X2.5
7	M090	BUTEE AIGUILLE EMBAXK1226A	CLUTCH BEARING	CORONA AXIAL AGUJAS AXK1226A
8	M091	RONDELLE BUTEE AS12.26.1	WASHER AS 12.26.1	ARANDELA AS 12.26.1
9	M092	RESSORT EMB	CLUTCH SPRING	MUELLE EMBRAGUE
10	M093	RONDELLE EMB	CLUTCH WASHER FOR SPRING	ARANDELA EMBRAGUE EMBOUTIDA
11	M086	TIGE DE POUSSEE	CLUTCH SPINDLE	VARILLA EMBRAGUE
12	5764	ECROU NOYAU EMB M16X125 SURFLEX R	HEX NUT CLUTCH M16X125 SURFLEX R	TUERCA CUBO EMBR. M16X125 SURFLEX R
13	M201	ROUE PRIMAIRE	WEEL PRIMARY DRIVE	RUEDA PRIMARIA
14	M203	DOUILLE ROUE PRIMAIRE	SPACER PRIMARY DRIVE	CASQUILLO RUEDA PRIMARIA
15	M205	CAGE A AIGUILLE 25X33X24	NEEDLE BEARING 25X33X24	JAULA AGUJAS 25X33X24
16	4259	RONDELLE CANELE 20.2 X 32 X 1	WASHER SPECIAL 20.2 X 32 X 1	ARANDELA ACANALADA 20.2 X 32 X 1
19	M358	SILENBLOC EMBRAYAGE	CLUTCH SILENBLOC	SILENBLOC EMBRAGUE
21	4099	ROUE TRANS PRIMAIRE ASSEMBLE POUR ROULEMENT	PRIMARY DRIVE CLUTCH FOR BEARING	CTO. RUEDA TRANS. PRIMARIA PARA RODAMIENTO
22	M094	VIS EMB	SCREW CLUTCH SPRING	TORNILLOS MUELLE EMBRAGUE
24	4257	RONDELLE INA AS 35.3 X 56.7 X 1 UNIDAD	WASHER INA AS 35.3 X 56.7 X 1 UNITARY	ARANDELA INA AS 35.3 X 56.7 X 1 UNITAIRE
25	4258	ROULEMENT AIGUILLE AXIAL AXK 3552	CON ROD NEEDLE AXIAL AXK 3552	COJINETE AGUJAS AXIAL AXK 3552
26	4926	GROUPE EMBRAYAGE SURFLEX R	CLUTCH SET SURFLEX R	GRUPO EMBRAGUE SURFLEX R
27	4046	DISQUE GARNI TRIAL FCC R ESPECIAL	FRICTION CLUTCH DISK TRIAL FCC R SPECIAL	DISCO EMBR. FORRADO TRIAL FCC R ESPECIAL
28	4927	ENTRETOISE GUIDE EMBRAYAGE SURFLEX R	BUSH CLUCH GUIDE SURFLEX R	CASQUILLO GUIA EMBRAGUE SURFLEX R

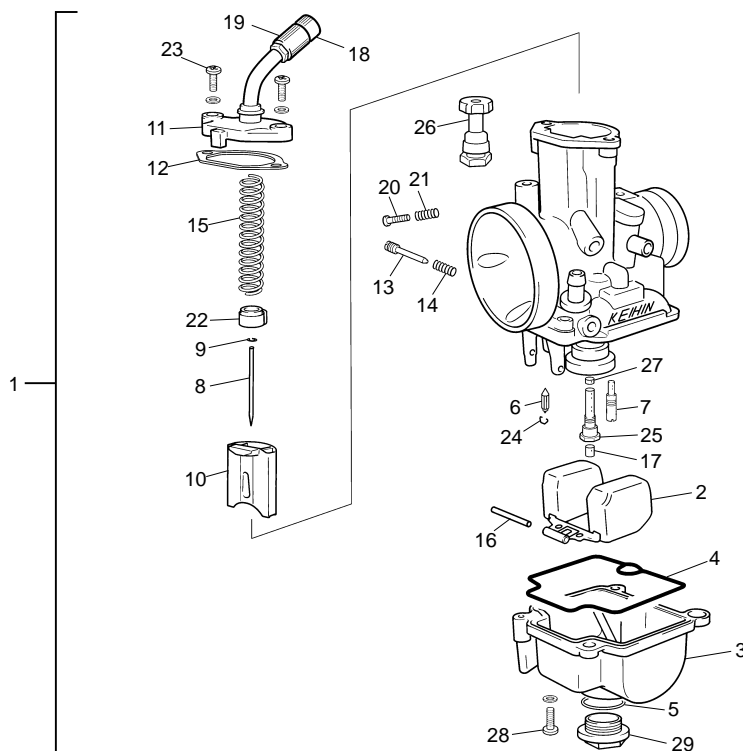
Cylindre / Cylinder / Cilindro



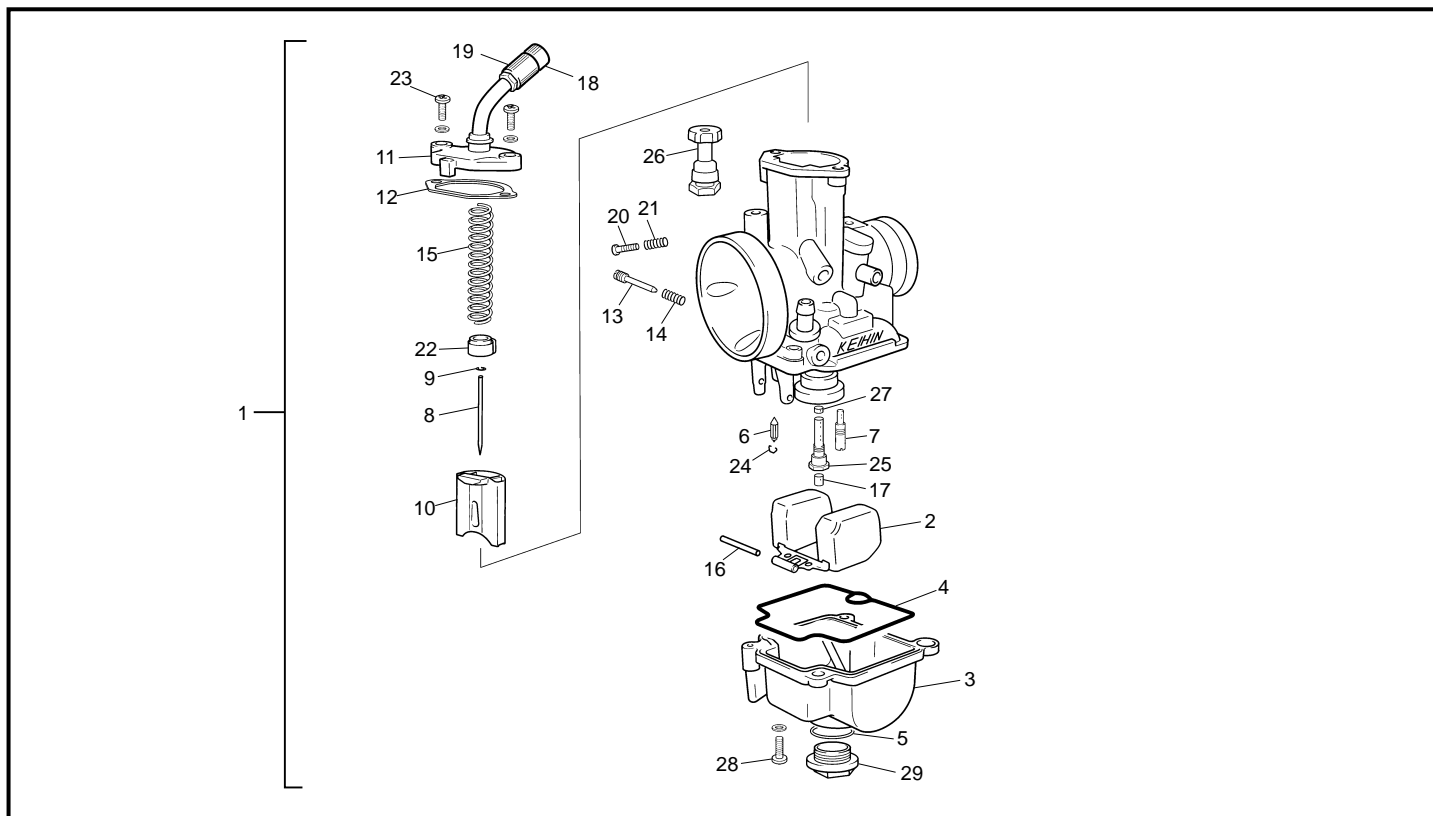
POS.	3.0	FRANÇAIS	ENGLISH	ESPAÑOL
1	3217	CYLINDRE 125 14 TR CL	CILYNDER 125 14 TR LS	CILINDRO 125 14 TR CL
2	6201*	CULASSE 3.0 TR OR MAT S3	CYLINDER HEAD 3.0 TR GOLD MAT S3	CULATA 3.0 TR ORO MATE S3
3	3218	PISTON CPL 125CC "A" CL	PISTON 125CC "A" LS	PISTON 125CC "A" CL
3	3339	PISTON CPL 305 TR 2011 /78.96 B	PISTON CPL 305 TR 2011 /78.96 B	PISTON COMP 305 TR 2011 /78.96 B
4	M013	CIRCLIP PISTON 125/200	PISTON CIRCLIP 125/200	SERCLIP PISTON 125/200
5	0547	VIS TH EP 6 X 30	SCREW TH EP 6 X 30	TORNILLO TH EP 6 X 30
6	3125	BOITE A CLAPETS VERTICAL 2011	REEDS CASE VERTICAL 2011	CAJA DE LAMINAS VERTICAL 2011
7	4997	PIPE ADMISSION 2014 CARB 28	ADMISION PIPE 2014 CARB 28	TOBERA ADMISION 2014 CARB 28
8	3025	JOINT EMBASE SILICONE CYLIN 0.5 125CC LC	CILYNDER GASKET SILICON 0.5 125CC LS	JUNTA CILINDRO SILICONA 0.5 125CC CL
9	M038	JOINT TORIQUE CULASSE 105 X 109 X 2 VITON	CILYNDER HEAD O-RING 105 X 109 X 2 VITON	JUNTA TORICA CULATA 105 X 109 X 2 VITON
10	M039	JOINT TORIQUE CULASSE 80 X 84 X 2 VITON	CILYNDER HEAD O-RING 80 X 84 X 2 VITON	JUNTA TORICA CULATA 80 X 84 X 2 VITON
11	0200	AIGUILLES 4X9.8 NRB	NEEDL 4X9.8 NRB	AGUJA 4X9.8 NRB
12	3136	JOINT BOITE CLAPET TR 11	REEDS CASE GASKET TR 11	JUNTA CAJA LAMINAS TR 11
13	R022	CLAPET RECHANGE UNITEE	REED VALVE SET	LAMINAS RECAMBIO UNIT
14	3287	COLLIER MIKALOR 44	COLLARD MIKALOR 44	ABRAZADERA MIKALOR 44
15	3219	JEUX SEGMENTS 125CC CL	SET RINGS 125CC CL	JUEGO AROS 125CC CL
16	M248	CAGE AIGUILLE PISTON 125 KBK 16X20X20	NEEDLE BEARING KBK 125 16X20X20	JAULA AGUJAS PISTON 125 KBK 16X20X20
17	M272	ECROU EMBASE X8 0692	COLLAR HEX NUT M8	TUERCA CON VALONA M8
18	3336	AXE PISTON 305 TR 2011/79	PISTON PIN 305 TR 2011/79	BULON PISTON 305 TR 2011/79
19	3269	VIS CHC 5 X 20 0084	SCREW CHC 5 X 20	TORNILLO 5 X 20 ALLEN
20	3189	JOINT EMBASE CYLI 250/290/300 WI 0.2MM	CILYNDER GASKET 250/290/300 WI 0.2MM	JUNTA CILINDRO 250/290/300 WI 0.2MM
21	3190	JOINT EMBASE CYLI 250/290/300 WI 0.3MM	CILYNDER GASKET 250/290/300 WI 0.3MM	JUNTA CILINDRO 250/290/300 WI 0.3MM
22	3191	JOINT EMBASE CYLI 250/290/300 WI 0.4MM	CILYNDER GASKET 250/290/300 WI 0.4MM	JUNTA CILINDRO 250/290/300 WI 0.4MM
23	2390	JOINT TORIQUE CYLINDRE 5,60 X 9,20 X 1,80	CILYNDER O-RING BOLT 5,60 X 9,20 X 1,80	JUNTA TORICA CILINDRO 5,60 X 9,20 X 1,80
27	3994	BUTEE BOITE A CLAPETS VERTICAL 2011	STOPER REED VALVE CASE VERTICAL 2011	TOPE CAJA DE LAMINAS VERTICAL 2011
28	5932	JOINT PIPE ADMISION FOAMED 1.10	REEDS CASE GASKET FOAMED 1.10	JUNTA TOBERA FOAMED 1.10

* NOUVELLE PIECE
NEW PART
PIEZA NUEVA

Carburateur / Carburetor / Carburador KEIHIN



POS.	3.0	FRANÇAIS	ENGLISH	ESPAÑOL
1	1123	CARBUTATEUR KEIHIN TRIAL 2T	CARBURETOR KEIHIN TRIAL 2T	CARBURADOR KEIHIN TRIAL 2T
2	1330	FLOTEUR DE CARBU KEIHIN	CARBURATOR FLOTEUR KEIHIN	BOYA CARBURADOR KEIHIN
3	1331	CUVE CARBURATEUR KEIHIN	CARBURATOR CUVE KEIHIN	CUBA CARBURADOR KEIHIN
4	1332	JOINT CUVE CARBURATEUR KEIHIN	FLOT CHAMBER GASKET KEIHIN	JUNTA CUVA CARBURADOR KEIHIN
5	1334	JOINT TORIQUE CUVE	O-RING FLOAT	TÓRICA CUBETA
6	1335	POINTEAU CARBU KEIHIN	POINTEAU CARBU KEIHIN	VÁLVULA AGUJA KEIHIN
7	1327	GICLEUR RALENTI 50 KEIHIN	PILOT JET 50 KEIHIN	CHICLÉ RALENTÍ 50 KEIHIN
7	1336	GICLEUR RALENTI 45 KEIHIN	PILOT JET 45 KEIHIN	CHICLÉ RALENTÍ 45KEIHIN
7	1337	GICLEUR RALENTI 52 KEIHIN	PILOT JET 52 KEIHIN	CHICLÉ RALENTÍ 52 KEIHIN
7	1338	GICLEUR RALENTI 55 KEIHIN	PILOT JET 55 KEIHIN	CHICLÉ RALENTÍ 55 KEIHIN
7	1339	GICLEUR RALENTI 48 KEIHIN	PILOT JET 48 KEIHIN	CHICLÉ RALENTÍ 48 KEIHIN
7	1403	GICLEUR RALENTI 42 KEIHIN	PILOT JET 42 KEIHIN	CHICLÉ RALENTÍ 42 KEIHIN
8	1340	AIGUILLE CARBU KEIHIN JFH	AIGUILLE CARBU JFH	AGUJA CARBURADOR JFH
8	1341	AIGUILLE CARBU KEIHIN JJH	AIGUILLE CARBU JJH	AGUJA CARBURADOR JJH
9	1342	CLIP AIGUILLE CARBU KEIHIN	CLIP AIGUILLE CARBU KEIHIN	CLIP AGUJA CARBURADOR KEIHIN
10	1326	BOISSEAU KEIHIN 3,5	CARBURATOR VALVE KEIHIN 3,5	CAMPANA KEIHIN 3,5
10	1343	BOISSEAU KEIHIN 4,0	CARBURATOR VALVE KEIHIN 4,0	CAMPANA KEIHIN 4.0
11	1344	COUVERCLE BOISSEAU KEIHIN	CARBURATOR COVER KEIHIN	TAPA CARBURADOR KEIHIN
12	1345	COUVERCLE BOISSEAU GASKET KEIHIN	JOINT COVER KEIHIN	JUNTA TAPA CARBURADOR KEIHIN
13	1346	VIS REGUL ESSENCE CARBU KEIHIN	SCREW REGUL PETROL CARBU KEIHIN	TORNILLO AIRE KEIHIN
14	1347	RESSORT VIS ESSENCE CARBU KEIHIN	SPRING SCREW REGUL PETROL CARBU KEIHIN	MUELLE TORNILLO AIRE KEIHIN
15	1348	RESSORT CARBURATEUR 82 X 12,8 SPS	SPRING CARBURETOR 82 X 12,8 SPS	MUELLE CARBURADOR 82 X 12,8 SPS
16	1351	AXE BALANCIER FLOTEUR CARBU KEIHIN	PIN BALANCIER FLOTEUR CARBU KEIHIN	EJE BALANCIÓN FLOTADOR CARBURADOR KEIHIN
17	1248	GICLEUR PRINCIPAL 122 KEIHIN	MAIN JET 122 KEIHIN	CHICLÉ PRINCIPAL 122 KEIHIN
17	1347	RESSORT VIS ESSENCE CARBU KEIHIN	SPRING SCREW REGUL PETROL CARBU KEIHIN	MUELLE TORNILLO AIRE KEIHIN
17	1352	GICLEUR PRINCIPAL 118 KEIHIN	MAIN JET 118 KEIHIN	CHICLÉ PRINCIPAL 118 KEIHIN
17	1353	GICLEUR PRINCIPAL 120 KEIHIN	MAIN JET 120 KEIHIN	CHICLÉ PRINCIPAL 120 KEIHIN
17	1402	GICLEUR PRINCIPAL 115 KEIHIN	MAIN JET 115 KEIHIN	CHICLÉ PRINCIPAL 115 KEIHIN
18	1354	ADAPTE CÂBLE KEIHIN	CABLE ADJUSTING BOLT KEIHIN	AJUSTE CABLE GAS KEIHIN
19	1355	ECROU ADAPTE CÂBLE KEIHIN	NUT CABLE ADJUSTING BOLT KEIHIN	TUERCA AJUSTE CABLE GAS KEIHIN
20	1356	VIS REGUL GAS CARBU KEIHIN	KIT SCREW REGUL GAS KEIHIN	TORNILLO RALENTÍ KEIHIN
21	1357	RESSORT VIS REGUL GAS CARBU KEIHIN	SPRING SCREW REGUL GAS KEIHIN	MUELLE TORNILLO RALENTI KEIHIN
22	1358	DOUILLE NYLON RESOT GAZ	FOOTREST NYLON GAS	CASQUILLO NYLON MUELLE KEIHIN
23	1359	VIS FIXATION COUVERCLE BOISSEUR KEIHIN	SCRE COVER KEIHIN	TORNILLO FIJACIÓN TAPA CAMPANA KEIHIN

Carburateur / Carburetor / Carburador KEIHIN


POS.	3.0	FRANÇAIS	ENGLISH	ESPAÑOL
24	1349	CLIP VALVE KEIHIN	CLIP FLOAT VALVE KEIHIN	CLIP VÁLVULA KEIHIN
25	1360	NEEDLE JET KEIHIN	NEEDLE JET KEIHIN	NEEDLE JET KEIHIN
26	1329	GROUPE STARTER KEIHIN	CHOKE SET REPLACEMENT KEIHIN	CTO. STARTER RECAMBIO KEIHIN
27	1361	NEEDLE JET HOLDER KEIHIN	NEEDLE JET HOLDER KEIHIN	NEEDLE JET HOLDER KEIHIN
28	1350	VIS FIXATION CUVE KEIHIN	SCRE WFLOT KEIHIN	TORNILLO FIJACIÓN CUBA KEIHIN
29	1332	JOINT CUVE CARBURETOR KEIHIN	FLOT CHAMBER GASKET	JUNTA CUBA CARBURADOR KEIHIN

SHERCO
Motorcycles



PLAY WITH GRAVITY

2015

SHERCO
www.sherco.com