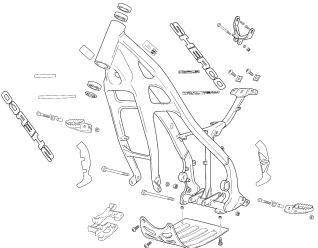
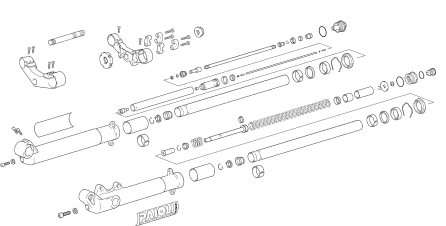
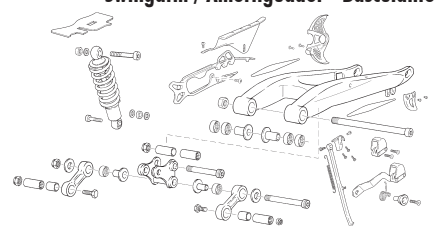
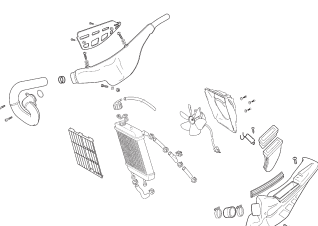
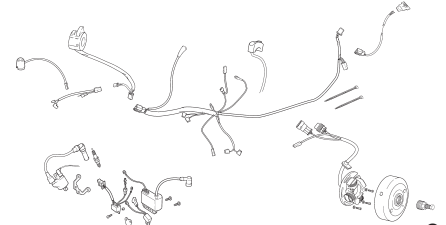
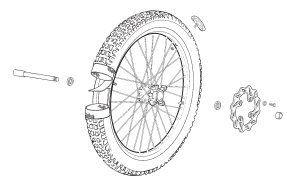
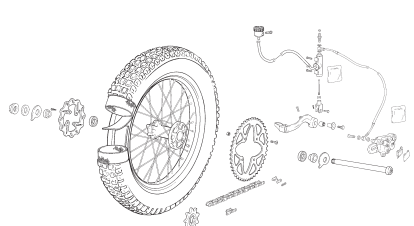
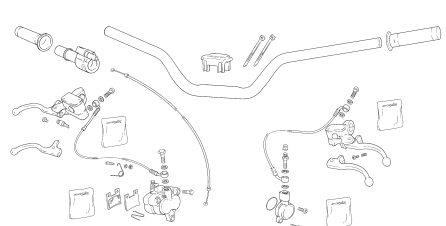
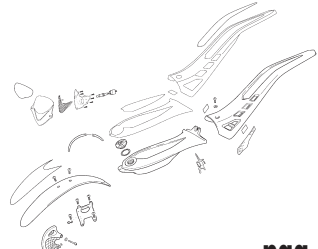
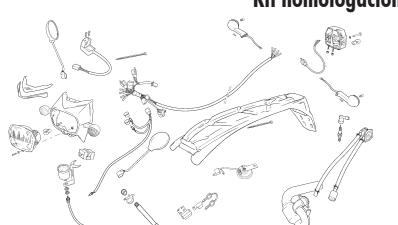
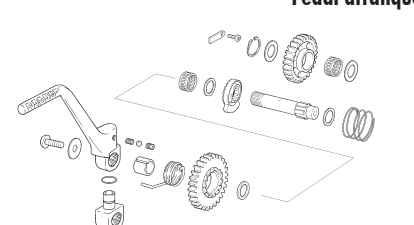
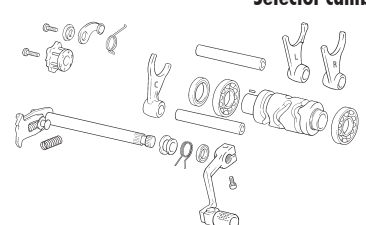
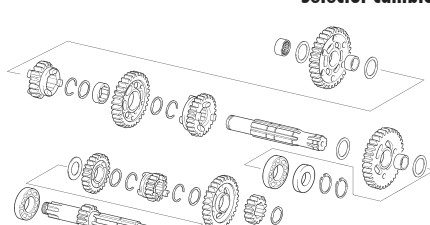
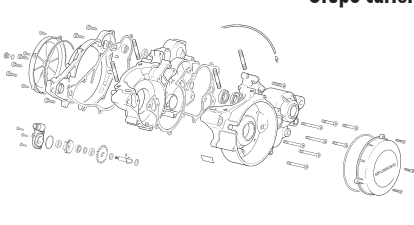
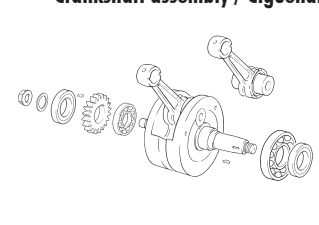


Spare part's book **07**

Trial 2.9
Cabestany

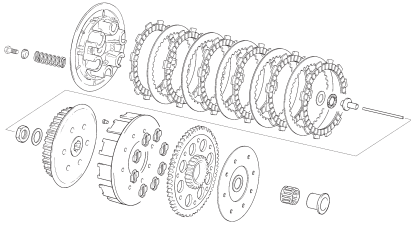


SHERCO
Motorcycles

| | | |
|---|--|--|
| <p>1 Cadre / Frame / Chasis</p>  <p>pag. 1</p> | <p>2 Fourche / Fork / Horquilla</p>  <p>pag. 2 - 3</p> | <p>3 Amortisseur - Bras oscillant / Rear Shock - Swingarm / Amortiguador - Basculante</p>  <p>pag. 4 - 5</p> |
| <p>4 Radiateur / Radiator / Radiador</p>  <p>pag. 6 - 7</p> | <p>5 Faisceau électrique / Electrical system / Instalación eléctrica</p>  <p>pag. 8</p> | <p>6 Roue avant / Front wheel / Rueda delantera</p>  <p>pag. 9</p> |
| <p>7 Roue arriere / Rear wheel / Rueda trasera</p>  <p>pag. 10 - 11</p> | <p>8 Guidon / Handlebar / Manillar</p>  <p>pag. 12</p> | <p>9 Plastiques / Plastics / Plásticos</p>  <p>pag. 13</p> |
| <p>10 KKit homologation / Kit homologation / Kit homologación</p>  <p>pag. 14</p> | <p>11 Lanceur / Kickstarter assembly / Pedal arranque</p>  <p>pag. 15</p> | <p>12 Selecteur / Gear selector group / Selector cambio</p>  <p>pag. 16</p> |
| <p>13 Selecteur / Gear selector group / Selector cambio</p>  <p>pag. 17</p> | <p>14 Groupe carters / Crankcase assembly / Grupo carters</p>  <p>pag. 18</p> | <p>15 Villebrequin assemble / Crankshaft assembly / Cigüeñal biela</p>  <p>pag. 19</p> |

16

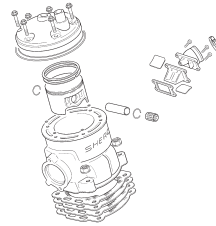
Embrayage / Clutch / Embrague



pag. 20

17

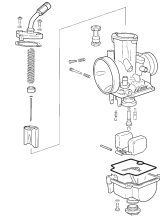
Culasse / Cylinder head / Culata



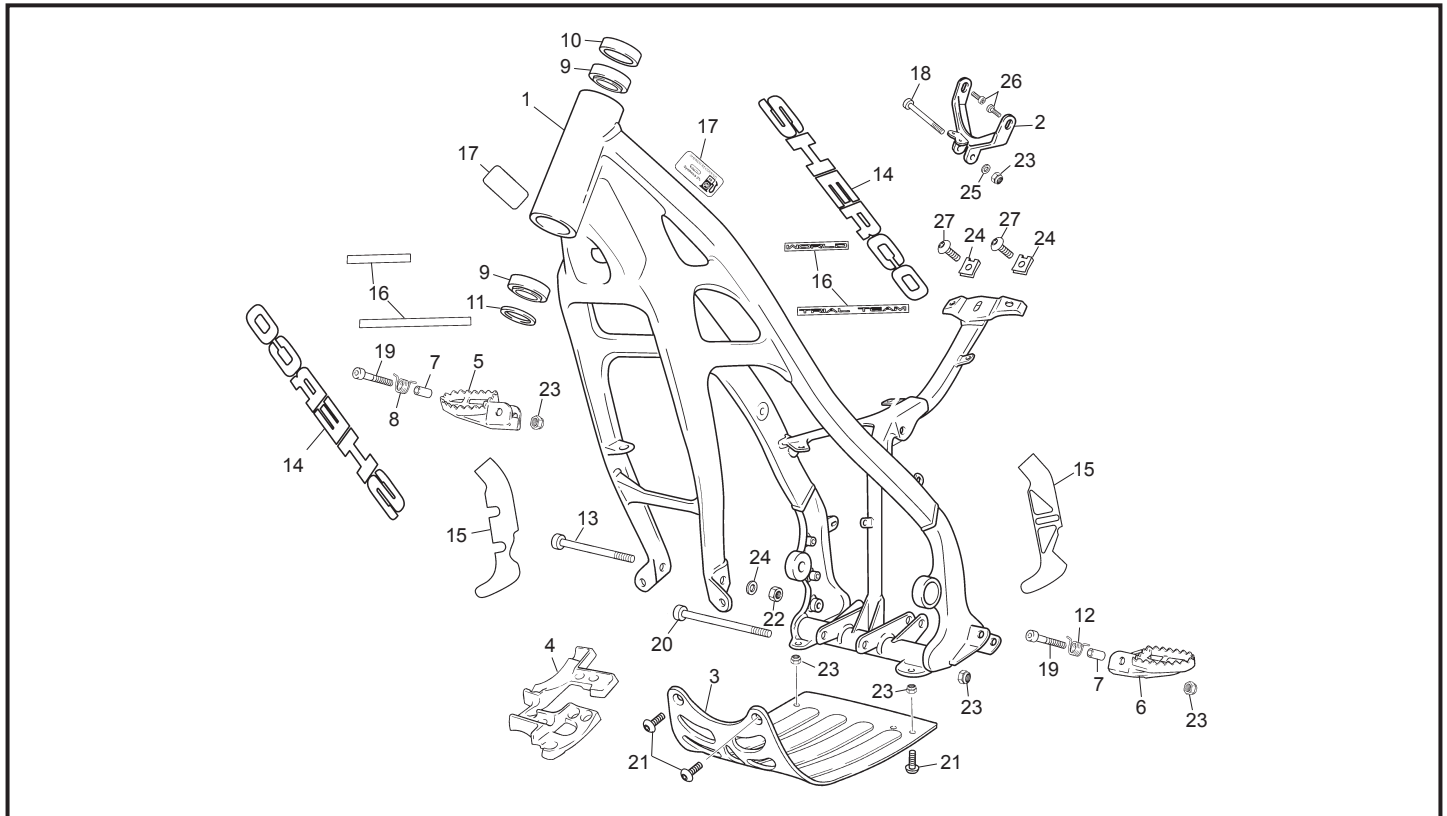
pag. 21

18

Carburateur / Carburetor / Carburador

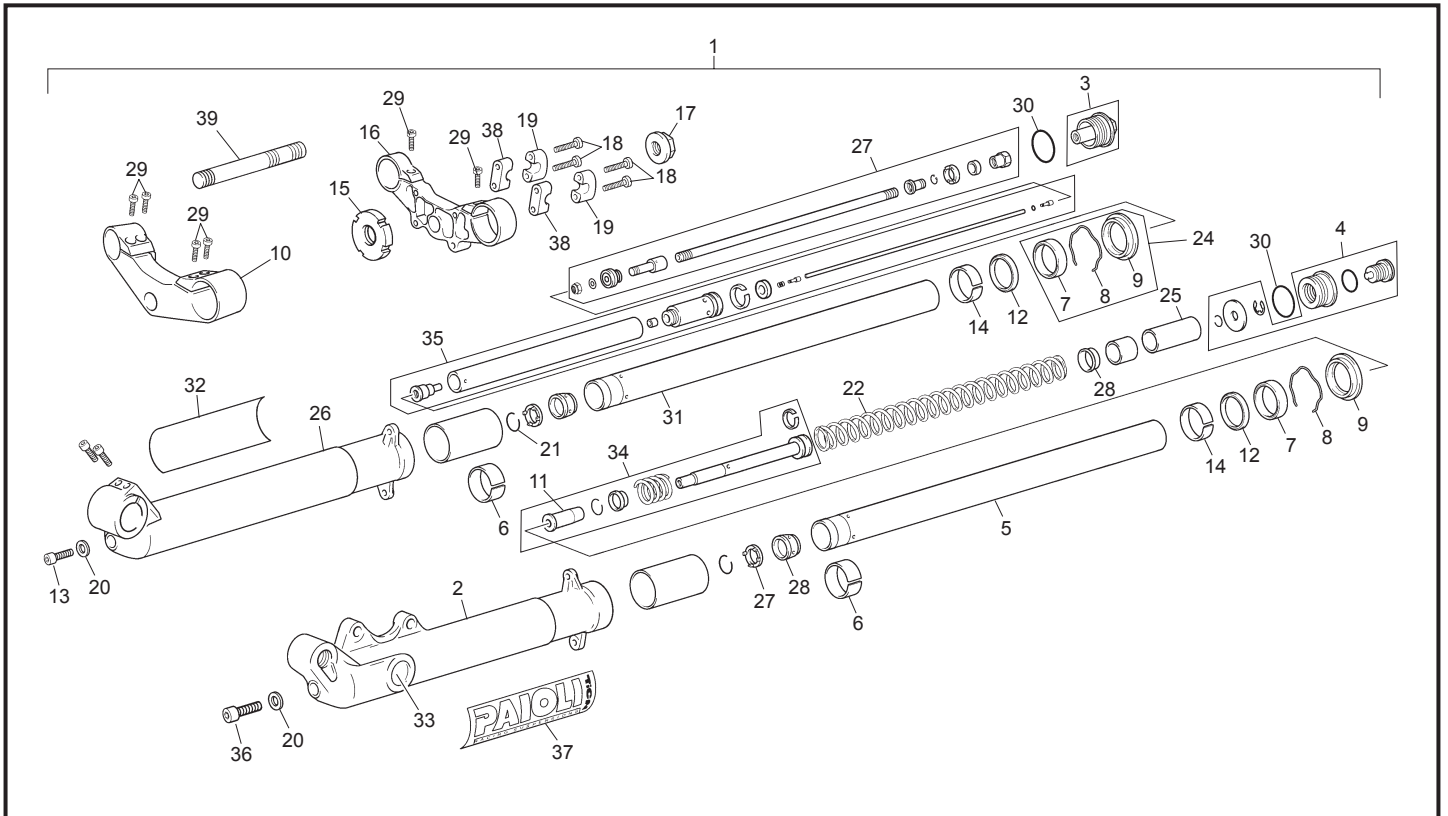


pag. 22 - 23

Cadre / Frame / Chasis


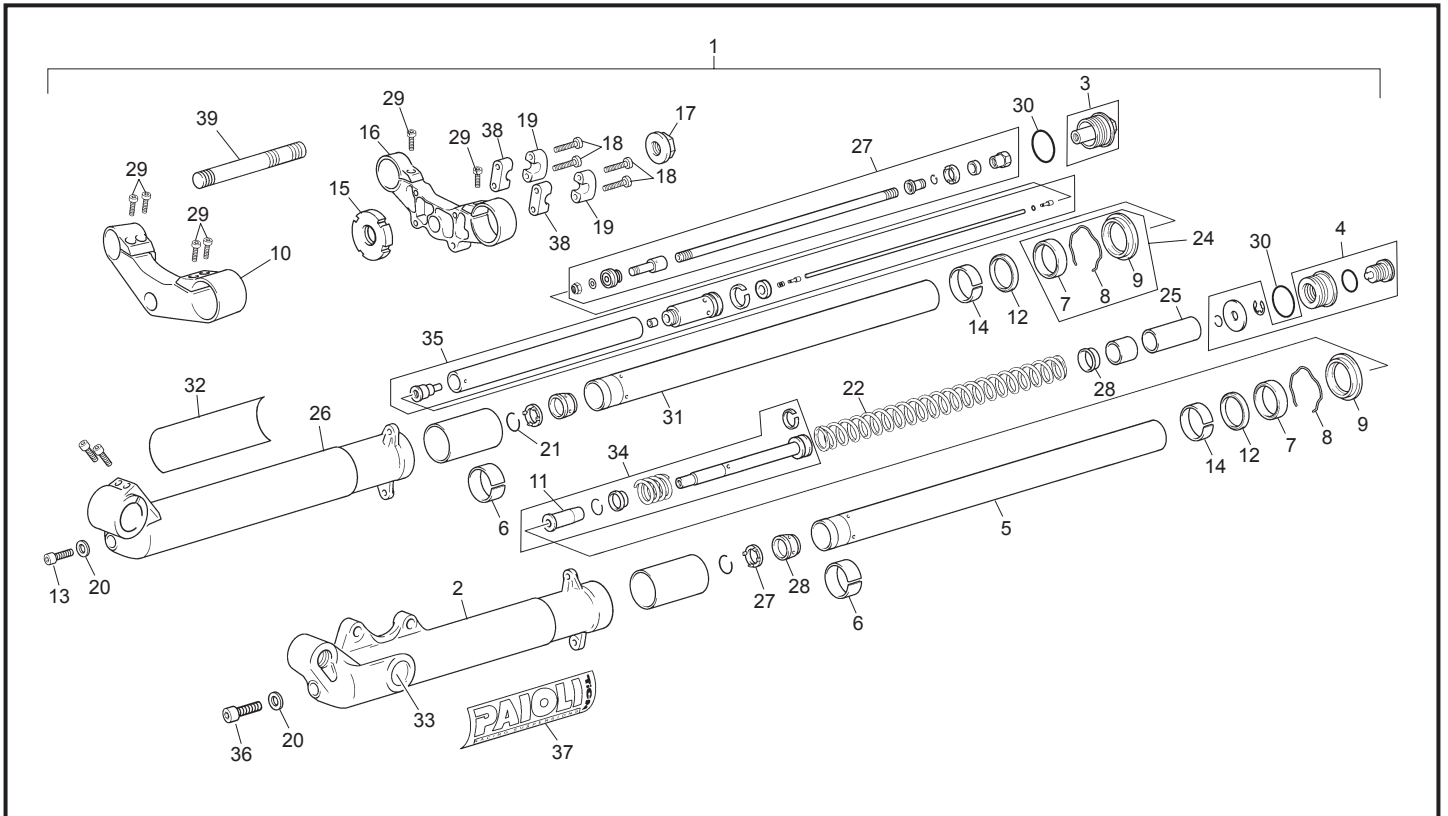
| POS. | 2.9 | FRANÇAIS | ENGLISH | ESPAÑOL |
|------|------|-----------------------------------|---------------------------|--------------------------------|
| 1 | 1399 | CADRE CABES 07 | FRAME CABES | CHASIS CABES |
| 2 | C736 | PATE FIXATION CYLINDRE 06 | CYLINDER SUPPORT 06 | SOPORTE CILINDRO 06 |
| 3 | C003 | SABOT | BASH PLATE | PLACA MOTOR |
| 4 | C578 | CAOUTCHOUC MOTEUR | BASH PLATE RUBBER | CAUCHO PLACA MOTOR |
| 5 | C707 | REPOSE PIED DROITE | RIGHT FOOTREST | ESTRIBERA DERECHA |
| 6 | C708 | REPOSE PIED GAUCHE | LEFT FOOTREST | ESTRIBERA IZQUIERDA |
| 7 | C755 | ENTRETOISE REPOSE PIED | FOOTREST BUSHING | CASQUILLO ESTRIBERA |
| 8 | C008 | RESSORT REPOSE PIED DROITE | RIGHT FOOTPEG | MUELLE ESTRIBERA DERECHA |
| 9 | C009 | ROULEMENT COLONNE DIRECTION | STEERING BEARING | COJINETE DIRECCIÓN R32004 |
| 10 | C010 | BAGUE DE PROTECTION HAUTE PLASTIC | PLASTIC DUST COVER | GUARDA POLVO SUPERIOR PLÁSTICO |
| 11 | C011 | BAGUE DE PROTECTION BASSE | WASHER | GUARDA POLVO INFERIOR |
| 12 | C012 | RESSORT DE REPOSE PIED GAUCHE | LEFT FOOTPEG SPRING | MUELLE ESTRIBERA IZQUIERDA |
| 13 | M296 | AXE MOTEUR AV | FRONT ENGINE BOLT | TORNILLO MOTOR |
| 14 | 1220 | SHERCO RESINE | SHERCO DECAL | ADHESIVO CHASIS SHERCO GOTA |
| 15 | C709 | ADESIF PROTECTION CADRE PAIRE 06 | STICKER PROTECTOR PAIR 06 | ADHESIVO PROT. CHASIS JUEGO 06 |
| 16 | C752 | ADESIF W TRIAL TEAM 06 | W TRIAL TEAM STICKER 06 | ADHESIVO W TRIAL TEAM 06 |
| 17 | C393 | ADESIF IPONE | STICKER IPONE | ADHESIVO IPONE |
| 18 | M263 | VIS CHC 8x40 | SCREW CHC 8x40 | TORNILLO M8X40 DIN 912 |
| 19 | M264 | VIS CHC 8x45 | SCREW CHC 8x45 | TORNILLO M8X45 DIN 912 |
| 20 | M396 | VIS CHC 10x80 | SCREW CHC 10x80 | TORNILLO M10X80 DIN 912 |
| 21 | M301 | VIS FHC 8x20 | SCREW FHC 8x20 | TORNILLO M8X20 DIN 7991 |
| 22 | M304 | ECROU NYLSTOP M10 | NUT NYLSTOP M10 | TUERCA NYLSTOP M10 |
| 23 | M305 | ECROU NYLSTOP M8 | NUT NYLSTOP M8 | TUERCA NYLSTOP M8 |
| 24 | M308 | ECROU CLIP M6 | NUT CLIP M6 | TUERCA CLIP M6 |
| 25 | M316 | RONDELLE x 8 | WASHER x 8 | ARANDELA X 8 DIN 125 B |
| 26 | M344 | VIS CHC 8X16 TETE BASSE | SCREW M8X16 DIN 6912 | TORNILLO M8X16 DIN 6912 |
| 27 | M345 | VIS BHC 6X12 CAROSSERIE | SCREW | TORNILLO CARROCERÍA M6X12 |

Fourche / Fork / Horquilla



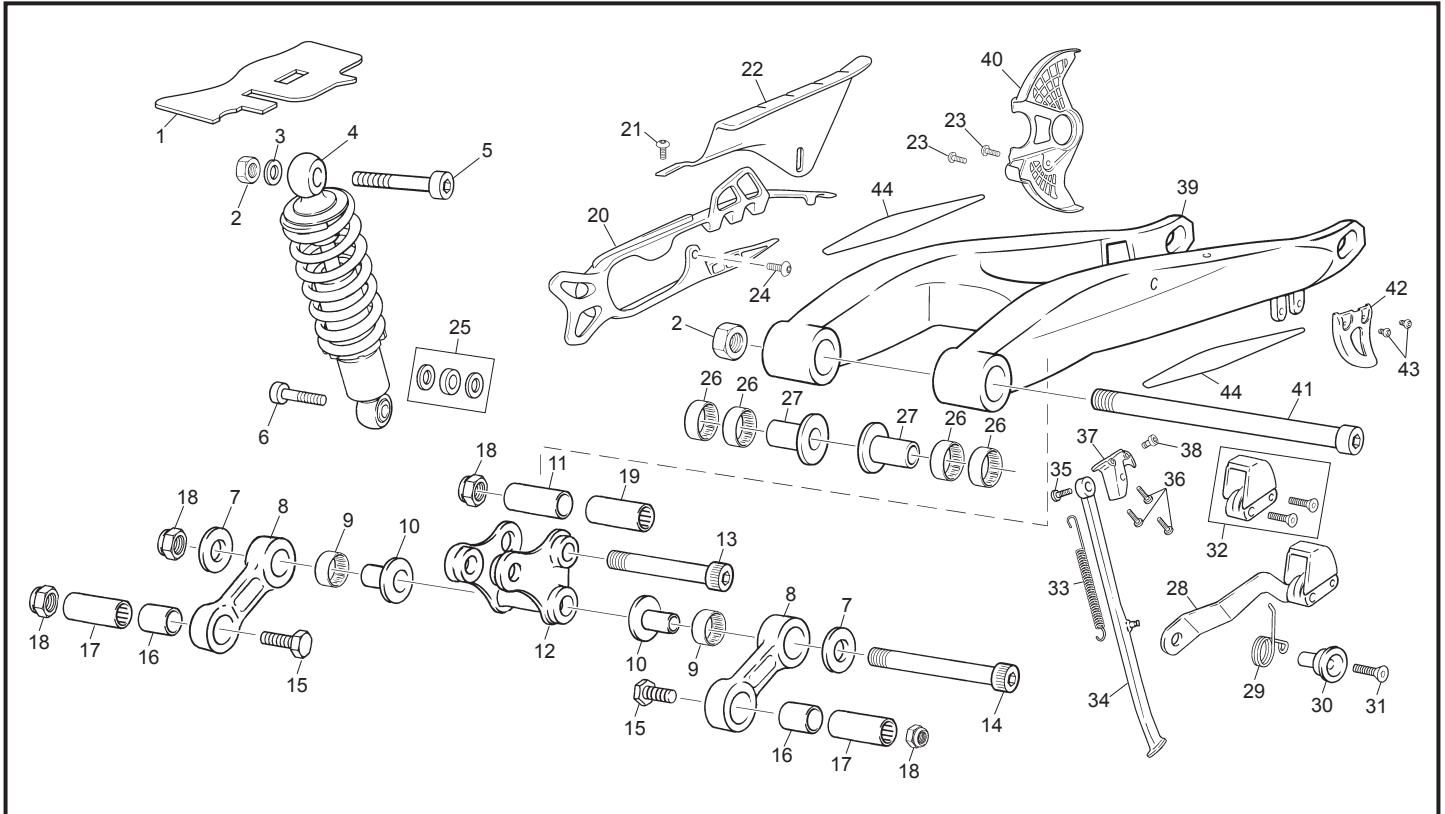
| POS. | 2.9 | FRANÇAIS | ENGLISH | ESPAÑOL |
|------|------|----------------------------------|---------------------------|----------------------------------|
| 1 | 1226 | FOURCHE CPL | FRONT FORK COMPLETE | SUSPENSIÓN DELANTERA COMPLETA |
| 2 | R104 | GROUPE JAMBE GAUCHE FOURCHE | FORK LEG (LEFT) | BOTELLA IZQUIERDA |
| 3 | 1058 | BOUCHON DROITE | FORK CAP RIGTH | TAPÓN DERECHO |
| 4 | 1057 | BOUCHON GAUCHE | FORK LEFT | TAPÓN IZQUIERDO |
| 5 | 1056 | TUBE FOURCHE GAUCHE | FORK TUBE LEFT | BARRA IZQUIERDO |
| 6 | R134 | ENTRETOISE DU | SPACER | CASQUILLO DU |
| 7 | R070 | JOINT SPIE DE FOURCHE | FORK OIL SEAL | RETÉN |
| 8 | R113 | CIRCLIP JOINT SPIE | CIRCLIP OIL SEAL | CIRCLIP RETÉN |
| 9 | R096 | PARE POUSSIERE FOURCHE | DUST SEAL | GUARDAPOLVO |
| 10 | 1397 | GROUPE T DE FOURCHE INFERIEUR | BOTTOM PLATE | PLATINA INF. NEGRA |
| 11 | R223 | CONE | CONE | CONO |
| 12 | R131 | RONDELLE APUIE | WASHER FORK | ARANDELA APOYO |
| 13 | R224 | VIS CHC 10X30 FOURCHE | BOLT M10X30 | TORNILLO M10X30 D.912 |
| 14 | R133 | DU JAMBE 2000 | SPACER | CASQUILLO DU BOTELLA |
| 15 | 1170 | RONDELLE ECROU AXE DIRECTION | RING NUT | TUERCA DIRECCIÓN |
| 16 | 1398 | T DE FOURCHE SUPERIEUR NOIRE | UPPER PLATE | PLATINA SUPERIOR NEGRA |
| 17 | R108 | ECROU SUPERIEUR | NUT | TUERCA SUPERIOR |
| 18 | 1237 | VIS CHC M8X35 | BOLT M8X35 | TORN.ALLEN M8X35 D.912 |
| 19 | 1395 | BRIDE GUIDON SUPERIEURE 07 NOIRE | TOP BAR U-CLAMP 07 BLACK | BRIDA SUPERIOR MANILLAR 07 NEGRA |
| 20 | R226 | RONDELLE 10X17X1,5 FURCHE 2001 | WASHER 10X17X1,5 | ARANDELA 10X17X1.5 |
| 21 | R227 | ANEAU ELASTIQUE | NUT | ANILLO ELÁSTICO |
| 22 | 1063 | RESSORT FOURCHE | SPRING | MUELLE |
| 23 | R111 | ENTRETOISE RESSORT FOURCHE | TOP BUSHING | TOPE MUELLE |
| 24 | R071 | GROUPE GARNITURE FOURCHE COMP. | FORK BUSHING AND SEAL KIT | KIT REPARACIÓN RETÉN |
| 25 | R132 | ENTRETOISE DU | SPACER | SEPARADOR DU |
| 26 | R105 | GROUPE JAMBE DROITE FOURCHE | FORK LEG (RIGHT) | BOTELLA DERECHA |
| 27 | R228 | VALVE DE COMPRESSION | PLASTIC COMPRESSION VALVE | VÁLVULA DE COMPR. |
| 28 | R135 | RONDELLE APPUI RESSORT 2000 | SPRING COLLAR | APOYO MUELLE |
| 29 | M261 | VIS CHC 8X20 | SCREW CHC 8X20 | TORNILLO 8X20 ALLEN |
| 30 | R230 | TORIQUE FOURCHE | O.RING | TÓRICA CIERRE |
| 31 | 1060 | TUBE DROITE NOIR | FORCK TUBE RIGHT | TUBO DRE. NEGRO |
| 32 | 1061 | ADESIF PAIOLI DROITE | STICKER PAIOLI RIGHT | ADH. PAIOLI DERECHO |
| 33 | C186 | ADESIF LOGO PAIOLI RESINE | PAIOLI LOGO STICKER | PAIOLI REDONDO |
| 34 | 1055 | GRUOPE POMPE | GROUP POMP | GRUPO BOMBA |

Fourche / Fork / Horquilla



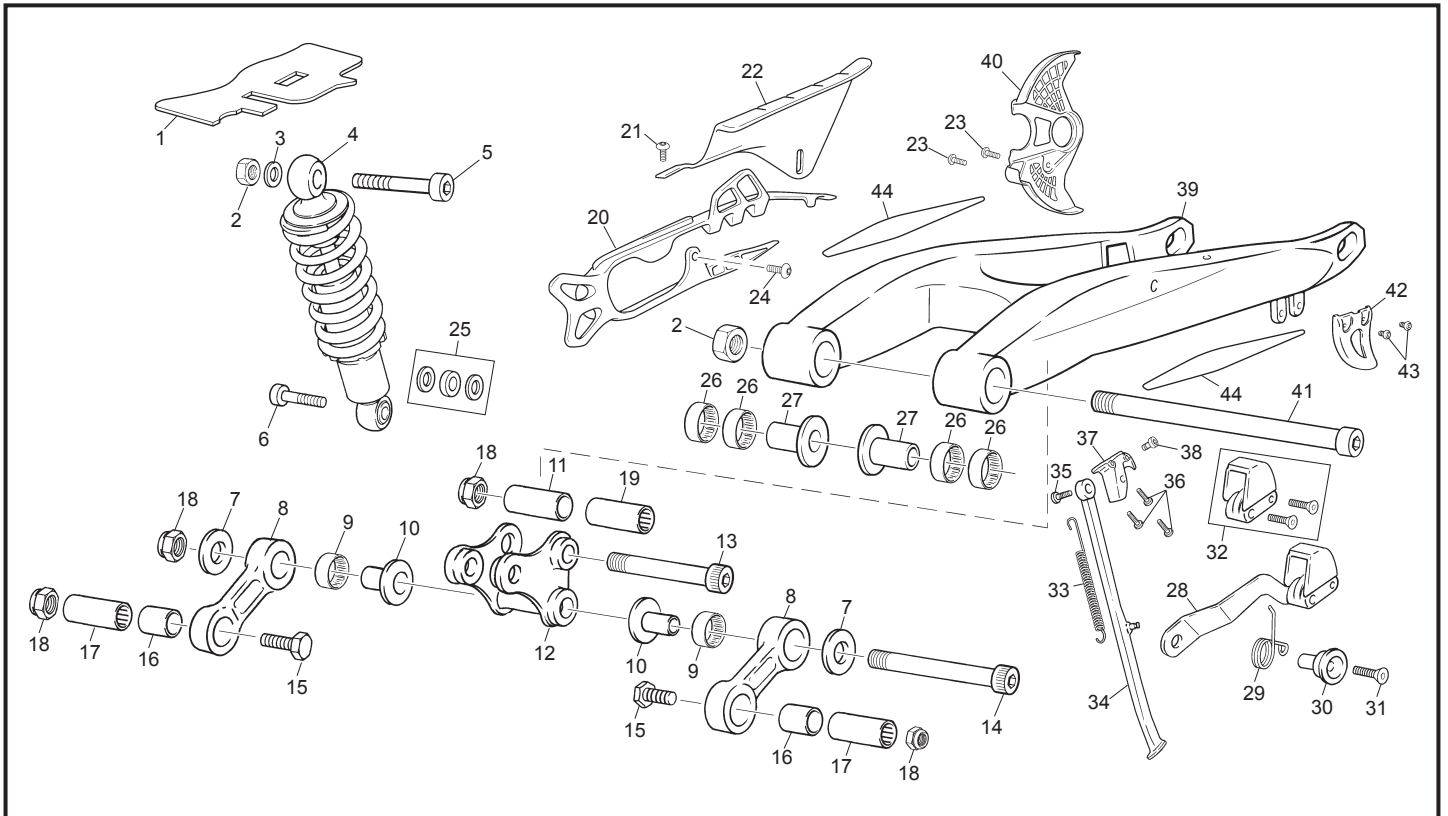
| POS. | 2.9 | FRANÇAIS | ENGLISH | ESPAÑOL |
|------|------|--------------------------------|---------------------------------------|--------------------------------|
| 35 | 1059 | GROUPE CARTOUCHE | PLUNGER ASSEMBLY | CONJ. BOMBEO |
| 36 | C465 | VIS 10X30 FILETE INT. | SCREW | TORNILLO M10X30 CON ROSCA INT. |
| 37 | 1062 | ADESIF PAIOLI GAUCHE | STICKER PAIOLI LEFT | ADH.PAIOLI IZQ. |
| 38 | 1396 | BRIDE INFERIEUR TRIAL NOIRE 07 | U-CLAMP INF. HANDE BAR TRIAL 07 BLACK | BRIDA INFE. TRIAL NEGRA 07 |
| 39 | 1166 | AXE ALUMINIUM | ANS ALUMINIUM | EJE ALUMINIO |

Amortisseur - Bras oscillant / Rear Shock - Swingarm / Amortiguador - Basculante



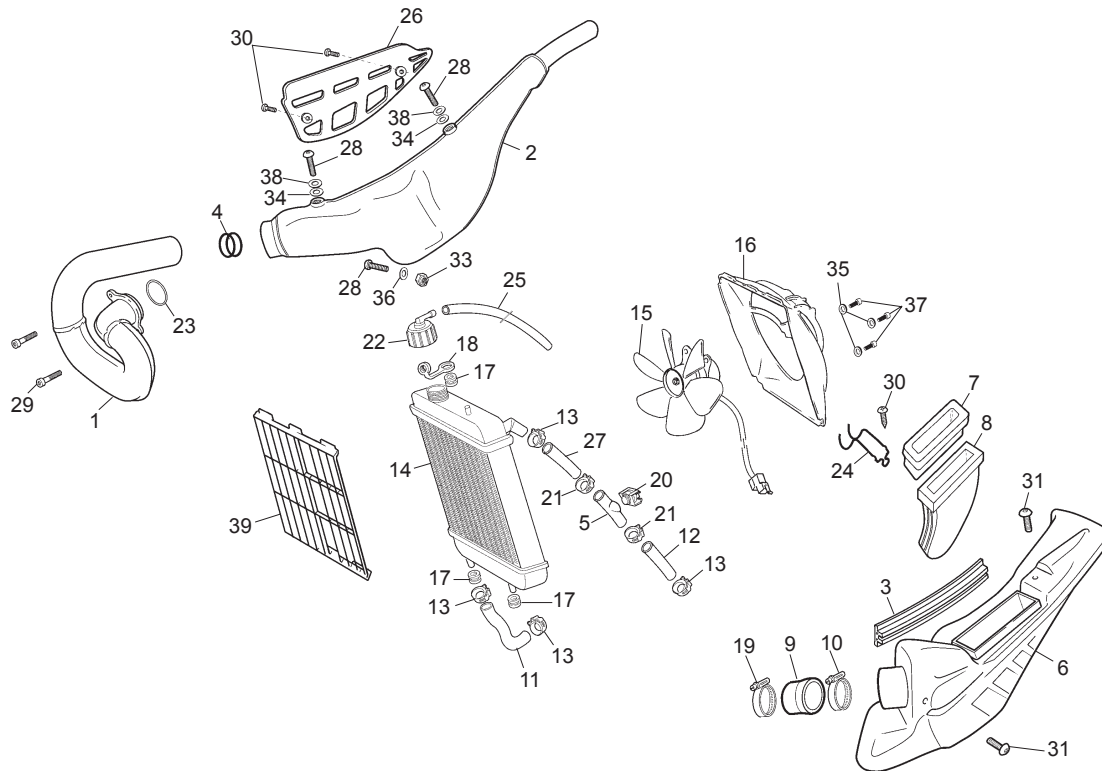
| POS. | 2.9 | FRANÇAIS | ENGLISH | ESPAÑOL |
|------|------|---|------------------------------|--------------------------------------|
| 1 | C686 | PROTECTEUR AMORTISSEUR | SHOCK ABSORBER | PROTECTOR AMORTIGUADOR |
| 2 | M304 | ECROU NYLSTOP M10 | LOWER LINK | TUERCA NYLSTOP M10 |
| 3 | M315 | RONDELLE X 10 1405 010 | DELTA LINK | ARANDELA X 10 DIN 125 A |
| 4 | ---- | AMORTISSEUR TRIAL | H LINK SPACER 12X18X78.5 | AMORTIGUADOR TRIAL |
| 5 | M259 | VIS CHC 10 X 50 0084 | SPACER 10X20X22 | TORNILLO 10 X 50 ALLEN |
| 6 | C173 | AXE 10 X 42 | LOWER LINK BOLT | EJE 10 X 42 |
| 7 | M320 | RONDELLE 10 X 30 X 2.5 0416 | DELTA LINK SPACER 12X18X33.5 | ARANDELA 10 X 30 X2,5 DIN 9021 |
| 8 | C157 | BIELETTE TIRANT SIMPLE | UPPER SHOCK BOLT | BIELETA SUSPENSION |
| 9 | C168 | DOUILLE AIGUILLE TIRANT HK16162 RS | LOWER SHOCK BOLT | CASQUILLO AGUJAS BIELETA HK16162RS |
| 10 | C171 | ENTRETOISE ARTICULATION BRAS | COVER SWING ARM AXLE | CASQUILLO EJE BASCULANTE |
| 11 | C152 | ENTRETOISE SUSPENSION | DELTA LINK BOLT | CASQUILLO SUSPENSION |
| 12 | C729 | BIELETTE DELTA 2004 | SCREW TH EP M8 X 30 | TRAPECIO SUSPENSION 2004 |
| 13 | C174 | AXE 10 X 72 | NUT NYLSTOP M12 | EJE 10 X 72 |
| 14 | C172 | AXE 10 X 1250 | BEARING 22 X 8 X 7 | EJE 10 X 120 |
| 15 | C175 | VIS HEXA TETE BASSE | SPACER CHAIN WEEL | TORNILLO HEX C/REBAJADA |
| 16 | C170 | ENTRETOISE TIRANT | ROLLER CHAIN GUIDE | CASQUILLO BIELETA |
| 17 | C169 | DOUILLE AIGUILLE TIRANT HK14162 RS | NEEDLE BEARING HN 1816 | CASQUILLO AGUJAS BIELETA HK14162RS. |
| 18 | M305 | ECROU NYLSTOP M8 0368.8 | OIL SEAL 22X28X4 | TUERCA NYLSTOP M8 |
| 19 | C167 | DOILLER AIGUILLE BRAS/ SUSP HK16X20X2RS | WASHER 22 X 35 X 0.8 | CASQUILLO AGUJAS BAS/SUSP HK16202RS |
| 20 | 1207 | PATIN DE CHAINE | OIL SEAL 26X20X24 | PATÍN CADENA |
| 21 | M258 | VIS BHC 5 X16 1093 | NEEDLE BEARING HN 2012 | TORNILLO 5X16 ULS |
| 22 | 1208 | CARTER DE CHAINE | SWINGARM | CUBRECADENAS |
| 23 | M282 | VIS BHC 6X10 | NEEDLE BEARING HK 2216 | TORNILLO 6X10 ULS |
| 24 | M278 | VIS BHC 5X10 | SPACER 17X22X38 | TORNILLO BHC 5X10 |
| 25 | 1118 | KIT ROTULE 06 | CHAIN GUIDE | KIT ROTULA 06 |
| 26 | C151 | DOUILLE AIGUILLE BRAS HK 20X20X2 RS | SWING ARM PROTECTOR | CASQUILLO AGUJAS BASCU. HK 20X20X2RS |
| 27 | C153 | ENTRETOISE ARTICULATION BRAS | CHAIN GUARD | CASQUILLO EJE BASCULANTE |
| 28 | C164 | TENDEUR DE CHAINE | BRAKE HOSE CLIP | TENSOR CADENA |
| 29 | R205 | RESSORT TENDEUR DE CHAINE | SPACER 22X28X5 | MUELLE TENSOR CADENA |
| 30 | R206 | ENTRETOISE TENDEUR DE CHAINE | NUT NYLSTOP M16X150 | CASQUILLO TENSOR CADENA |
| 31 | M300 | VIS FHC 8 X 35 1089 | SWINGARM BOLT | TORNILLO AVELLANADO M8 X 35 |
| 32 | R047 | CAOUTCHOUC TENDEUR SEUL | SWINGARM INSERT | GOMA TENSOR CADENA |
| 33 | C161 | RESSORT DE BEQUILLE | CHAIN TENSIONOR SCREW | MUELLE CABALLETE |
| 34 | S131 | BEQUILLE SEULE | SCREW FHC M6X16 | CABALLETE |

Amortisseur - Bras oscillant / Rear Shock - Swingarm / Amortiguador - Basculante

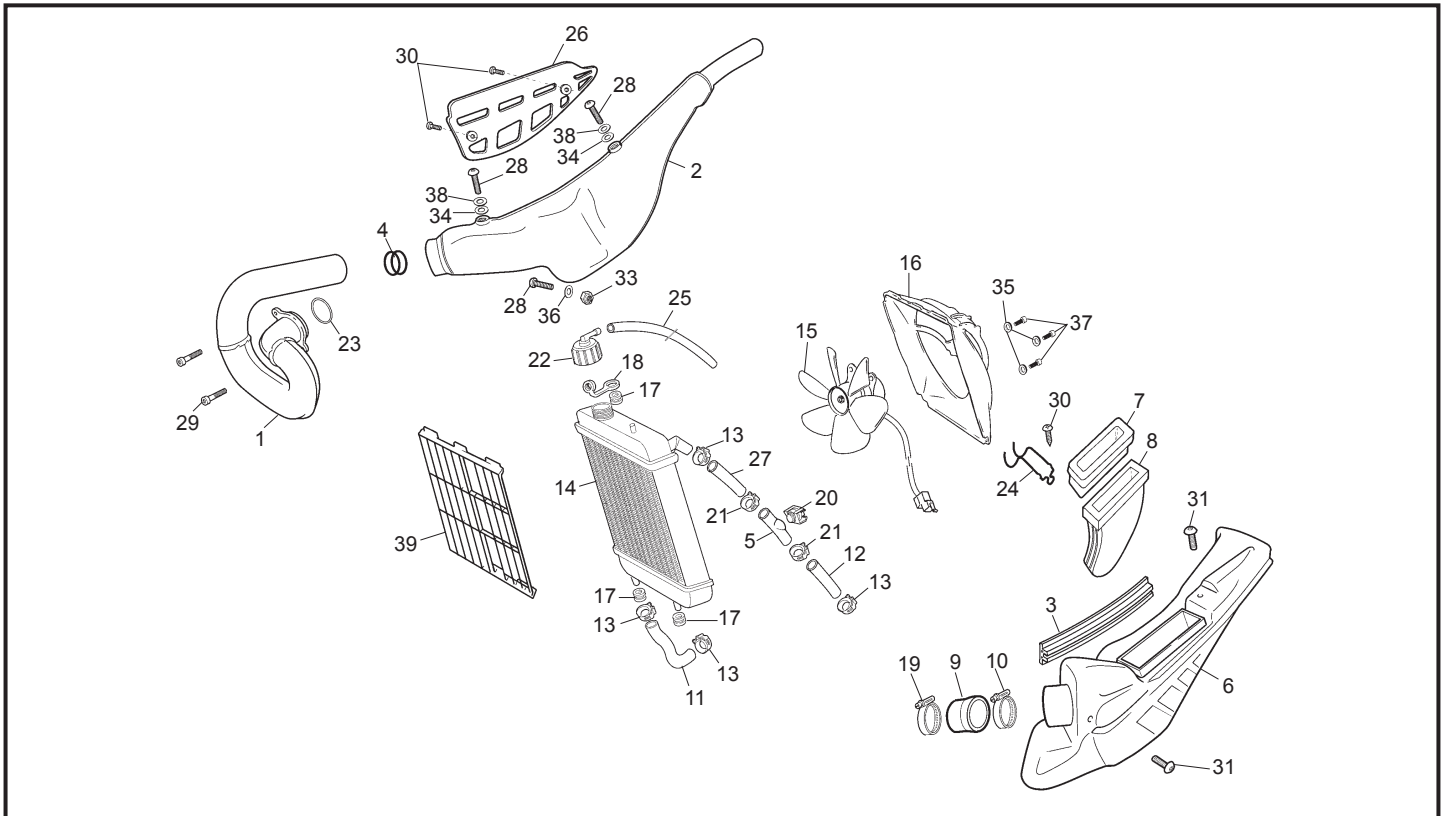


| POS. | 2.9 | FRANÇAIS | ENGLISH | ESPAÑOL |
|------|------|-----------------------|------------------------------|------------------------------|
| 35 | M281 | VIS BHC 8 X 12 1093 | SCREW BHC 6X20 | TORNILLO M8 X 12 ULS |
| 36 | M261 | VIS CHC 8 X 20 0084 | SCREW FHC M4X10 | TORNILLO 8 X 20 ALLEN |
| 37 | S132 | SUPPORT DE BEQUILLE | HEX NUT | SOPORTE CABALLETE |
| 38 | C166 | VIS SPECIALE BEQUILLE | SREW TH EP 8X40 | TORNILLO ESPECIAL CABALLETE |
| 39 | 1093 | BRAS OSCILLANT MAT 07 | SCREW BHC 6X16 | BASCULANTE MAT 07 |
| 40 | 1209 | PROTECTEUR DIS ADDEPE | OIL SEAL 28X35X4 | PROTECTOR DISCO |
| 41 | C154 | AXE BRAS OSCILLANT | SWINGARM STICKER | EJE BASCULANTE ALUMINIO |
| 42 | C177 | PROTECTEUR COURRONE | HARDER SHOCK ABSORVER SPRING | PROTECTOR CORONA |
| 43 | M278 | VIS BHC 5 X10 1093 | SCREW 5X10 | TORNILLO 5X10 ULS |
| 44 | 1453 | ADHESIF BRAS 07 CABES | SWINGARM STICKER CABES | ADHESIVO BASCULANTE 07 CABES |

Radiateur / Radiator / Radiador

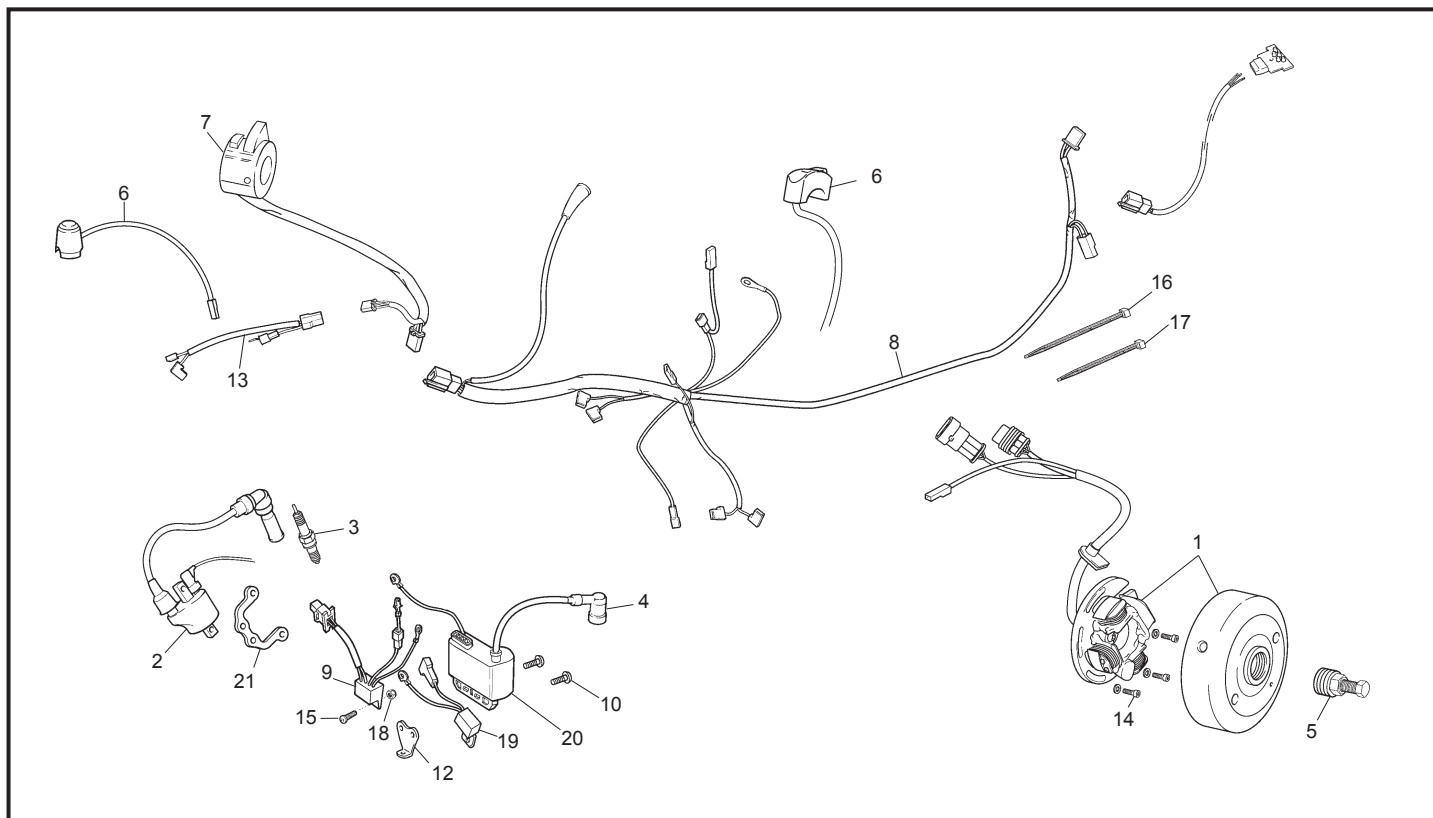


| POS. | 2.9 | FRANÇAIS | ENGLISH | ESPAÑOL |
|------|------|-----------------------------------|-----------------------------------|-----------------------------------|
| 1 | C080 | GTUBE ECHAPPEMENT | EXHAUST PIPE | CURVA DE ESCAPE |
| 2 | C384 | POT CENTRAL | MIDDLE SILENCER | SILENCIADOR CENTRAL |
| 3 | C303 | CAOUTCHOUC FILTRE-POT | FITTING RUBBER | ESPUMA FILTRO ESCAPE |
| 4 | C104 | JOINT TORIQUE POT CENTRAL 44x3.5 | O-RING MIDDLE SILENCER | JUNTA TÓRICA SILEN.CENTRAL 44X3,5 |
| 5 | C126 | SUPPORT DE THERMOCONTACT | THERMOSTAT SUPPORT T-PIECE | SOPORTE TERMOSTATO |
| 6 | C725 | BOITIER FILTRE AIR | AIR FILTER BOX | CAJA FILTRO |
| 7 | C107 | COUVERCLE FILTRE AIR | AIR FILTER BOX COVER | TAPA FILTRO |
| 8 | C108 | MOUSSE DE FILTRE | AIR FILTER ELEMENT | ESPUMA DE FILTRO |
| 9 | M224 | RACCORD FILTRE CARBURETEUR | MANIFOLD FILTER/ CARBURETOR | TOBERA FILTRO/CARBURADOR |
| 10 | C110 | COLLIER NORMA 32/50 | HOSE CLAMP | ABRAZADERA NORMA 32/50 |
| 11 | C757 | DURITE POMPE EAU RADIATEUR 06 | RUBBER HOSE WATERPUMP/RADIATOR 06 | TUBO GOMA BOMBA/RADIADOR 06 |
| 12 | C130 | DURITE CULASSE RADIATEUR | RUBBER HOSE RADIATOR | TUBO GOMA CULATA RADIADOR |
| 13 | C114 | COLLIER DE DURITE NORMA VERT 21 | HOSE CLAMP | ABRAZADERA 21 VERDE |
| 14 | C703 | RADIATEUR | RADIATOR | RADIADOR |
| 15 | C313 | VENTILATEUR | FAN | VENTILADOR |
| 16 | C314 | SUPPORT DE VENTILATEUR | FAN SUPPORT | SOPORTE VENTILADOR |
| 17 | C118 | SILENT-BLOC RADIATEUR | SILENT-BLOC RADIATOR | SILENT-BLOC RADIADOR |
| 18 | C119 | PATE FIXATION RADIATEUR | HOLDER (silent bloc radiator) | SOPORTE FIJACIÓN RADIADOR |
| 19 | C120 | COLLIER NORMA 30/45 | HOSE CLAMP | ABRAZADERA NORMA 30/45 |
| 20 | C127 | SONDE THERMOSTATIQUE | THERMOSTAT | TERMOSTATO |
| 21 | C029 | COLLIER DE DURITE NORMA VIOLET 19 | HOSE CLAMP | ABRAZADERA 19 VIOLETA |
| 22 | R046 | BOUCHON DE RADIATEUR | RADIATOR CAP | TAPÓN RADIADOR |
| 23 | C122 | JOINT CUIVRE 38X44X2,5 | EXHAUST GASKET | JUNTA COBRE SALIDA CILINDRO |
| 24 | I239 | RESSORT COUVERCLE FILTRE | AIRBOX RETAINER CLIP | MUELLE TAPA FILTRO |
| 25 | C125 | DURITE RADIATEUR | RADIATOR OVERFLOW HOSE | TUBO DRENAJE RADIADOR |
| 26 | C316 | PROTECTEUR ECHAPPEMENT | EXHAUST PROTECTOR | PROTECTOR ESCAPE |
| 27 | C756 | DURITE CULASSE RADIATEUR | RUBBER HOSE RADIATOR | TUBO GOMA CULATA RADIADOR |
| 28 | M251 | VIS CHC 6X16 | SCREW CHC 6X16 | TORNILLO M6X16 DIN 912 |
| 29 | M252 | VIS CHC 6X20 | SCREW CHC 6X20 | TORNILLO M6X20 DIN 912 |
| 30 | M278 | BHC 5X10 | SCREW BHC 5X10 | TORNILLO M5X10 ULS |
| 31 | M282 | VIS BHC 6X10 | SCREW BHC 6X10 | TORNILLO M6X10 ULS |
| 32 | M283 | VIS BHC 6X16 | SCREW BHC 6X16 | TORNILLO M6X16 ULS |
| 33 | M306 | ECROU NYLSTOP M6 | NUT NYLSTOP M6 | TUERCA NYLSTOP M6 |
| 34 | M317 | RONDELLE X 6 | WASHER X 6 | ARANDELA X 6 DIN 125 B |

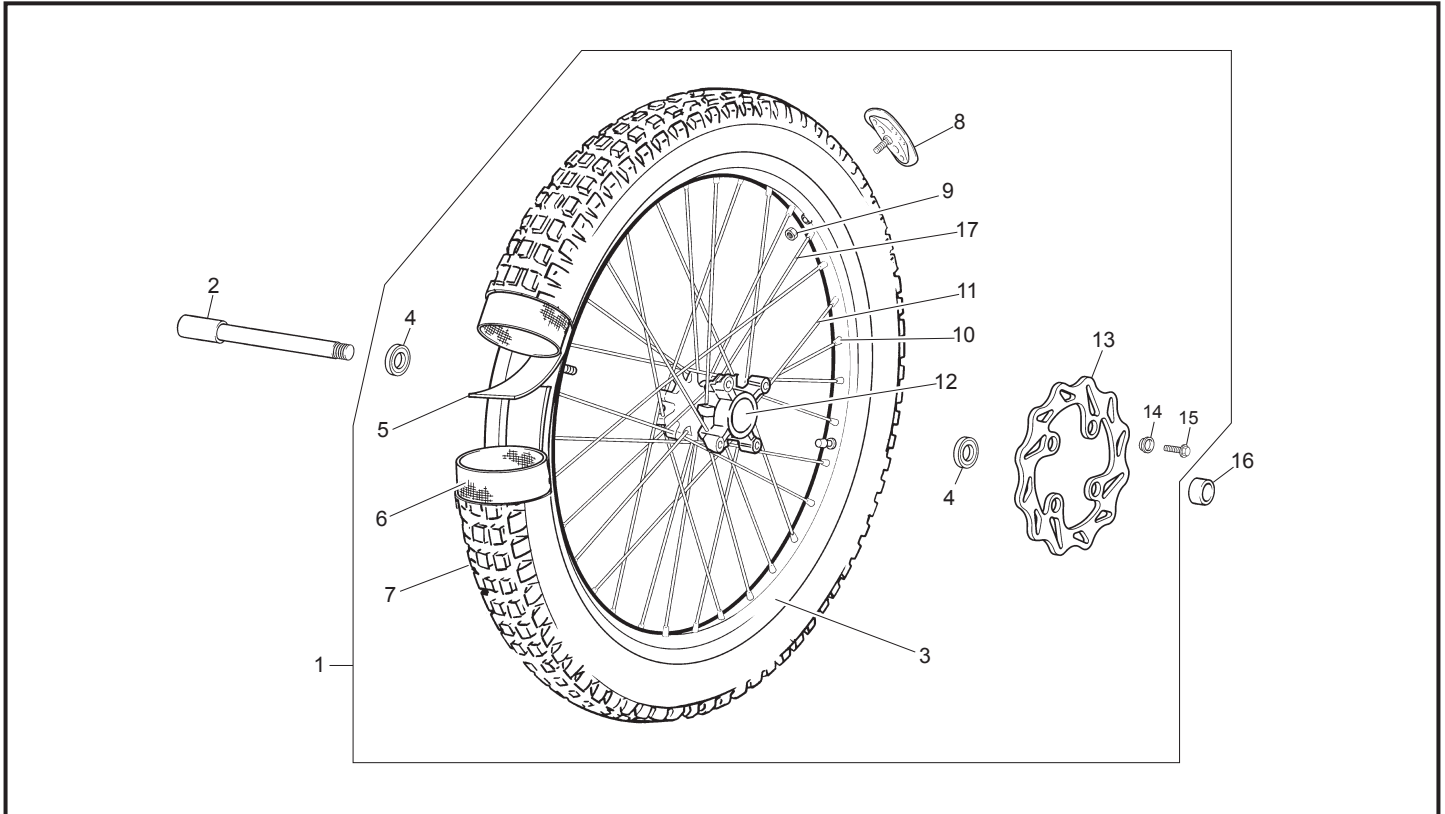
Radiateur / Radiator / Radiador


| POS. | 2.9 | FRANÇAIS | ENGLISH | ESPAÑOL |
|------|------|-------------------------------|--------------------|------------------------------|
| 35 | M318 | RONDELLE 4X12 | WASHER 4X12 | ARANDELA 4X12X1 DIN 9021 |
| 36 | M321 | RONDELLE M6X18 | WASHER 6X18 | ARANDELA M6X18 |
| 37 | C358 | VIS CHC 4X6 | SCREW CHC 4X6 | TORNILLO 4X6 DIN 912 |
| 38 | M274 | RONDELLE GROSVER X6 DIN 67985 | WASHER 6 DIN 67985 | ARANDELA DENTADA 6 DIN 67985 |
| 39 | C713 | GRILLE RADIATEUR | RADIATOR PROTECTOR | RESINA RADIADOR |

Faisceau électrique / Electrical system / Instalación eléctrica

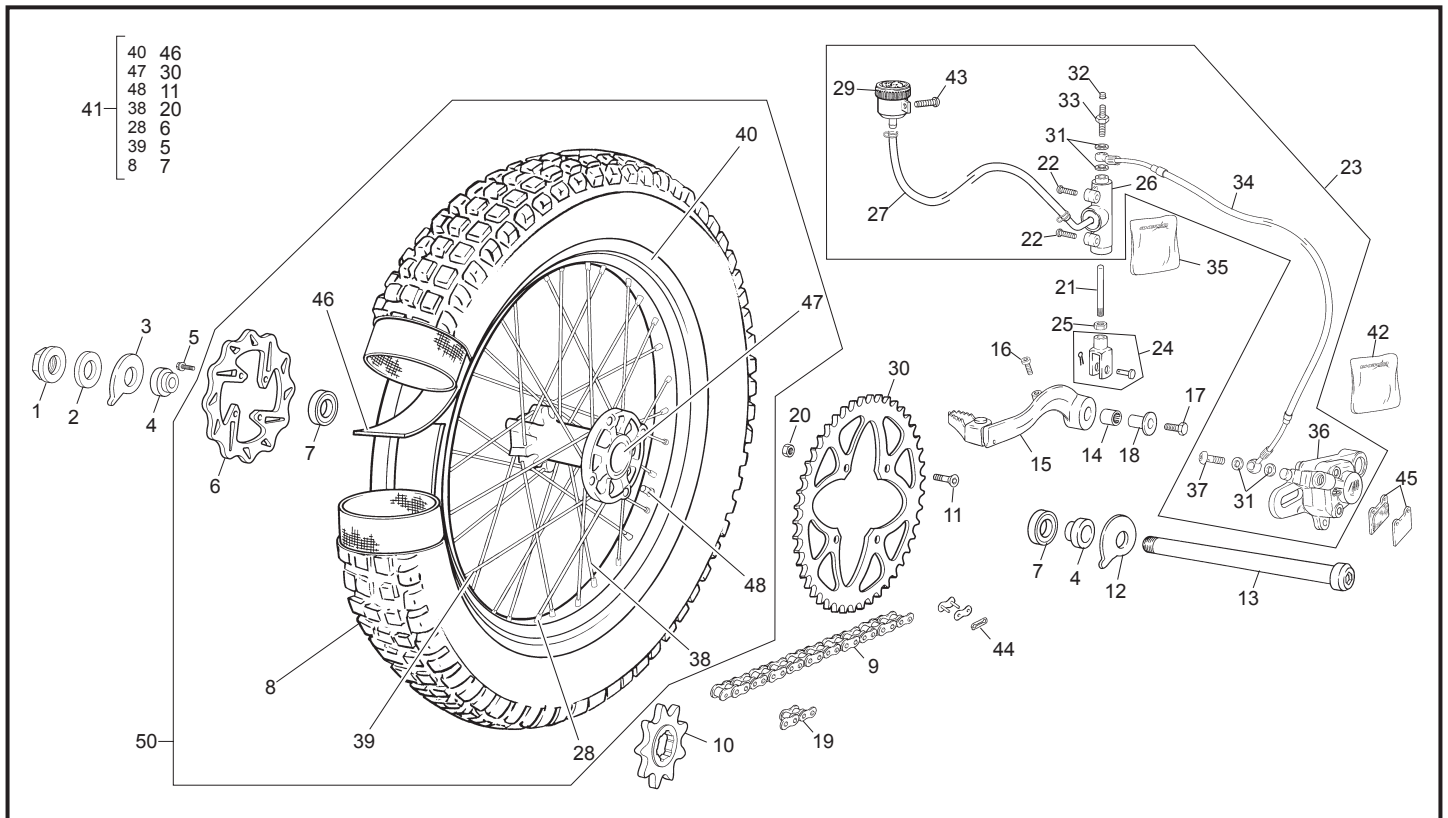


| POS. | 2.9 | FRANÇAIS | ENGLISH | ESPAÑOL |
|------|------|--------------------------------------|----------------------------------|---|
| 1 | 1321 | ALLUMAGE CPL «LEONELLI» DIGITAL 2T 8 | IGNITION CPL COMPLETE «LEONELLI» | ENCENDIDO «LEONELLI» CPL DIGITAL 2T 8P. |
| 2 | 1465 | BOBINE KOKUSAN 2T | COIL KOKUSAN 2T | BOBINA KOKUSAN 2T |
| 3 | M183 | BOUGIE | SPARK PLUG | BUJÍA |
| 4 | M184 | ANTI PARASITE | SPARK PLUG CAP | PIPA BUJÍA |
| 5 | R075 | OUTIL EXTRACTEUR ROTOR ALLUMAGE | FLYWHEEL PULLER | EXTRACTOR ENCENDIDO |
| 6 | 1489 | COMUTATEUR SÉLECTION DOUBLE 2T | COMMAND DOUBLE SELECTION 2T | CONMUTADOR SELECCIÓN DOBLE 2T |
| 7 | C038 | COMUTATEUR ELECTRIQUE | ASSEMBLY | CONMUTADOR LUCES |
| 8 | C037 | FAISCEAU ELECTRIQUE | WIRING HARNESS | INSTALACIÓN ELÉCTRICA |
| 9 | C039 | DIODE REDRESSEUS | DIODE | RECTIFICADOR |
| 10 | M250 | VIS CHC 5x16 | SCREW CHC 5x16 | TORNILLO M5X16 DIN 912 |
| 11 | M273 | CAVALIER NORMA BSL1x8 | FORMED WIRE CLIP | BRIDA NORMA BSL1X8 |
| 12 | M275 | RONDELLE x 5 | WASHER x5 | ARANDELA 5 DIN125 A |
| 13 | 1418 | SUPPORT CDI 2T CABES O7 | HOLDER CDI 2T 07 | SOPORTE CDI 2T CABES 07 |
| 14 | M283 | VIS BHC 6x16 | SCREW BHC 6x16 | TORNILLO M6X16 ULS |
| 15 | M306 | ECROU NYLSTOP M6 | NUT NYLSTOP M6 | TUERCA NYLSTOP M6 |
| 16 | M330 | COLLIER 178x4.8 | ZIP TIE 178 X 4.8 | BRIDA 178X4.8 |
| 17 | M331 | COLLIER 100x2.5 | ZIP TIE 80 X 2.5 | BRIDA 100X2.5 |
| 18 | M274 | RONDELLE GROSVER X6 DIN 67985 | WASHER 6 DIN 67985 | ARANDELA DENTADA 6 DIN 67985 |
| 19 | M182 | REGULATEUR | REGULATOR | REGULADOR |
| 20 | 1464 | CDI MOTEUR TRIAL 2T | CDI BOX ENGENI 2T | CDI DOBLE CURVA 2T |
| 21 | 1417 | SUPPORT DE BOBINE KOKUSAN 2T | HOLDER KOKUSAN 2T | SOPORTE BOBINA KOKUSAN 2T |

Roue avant / Front wheel / Rueda delantera


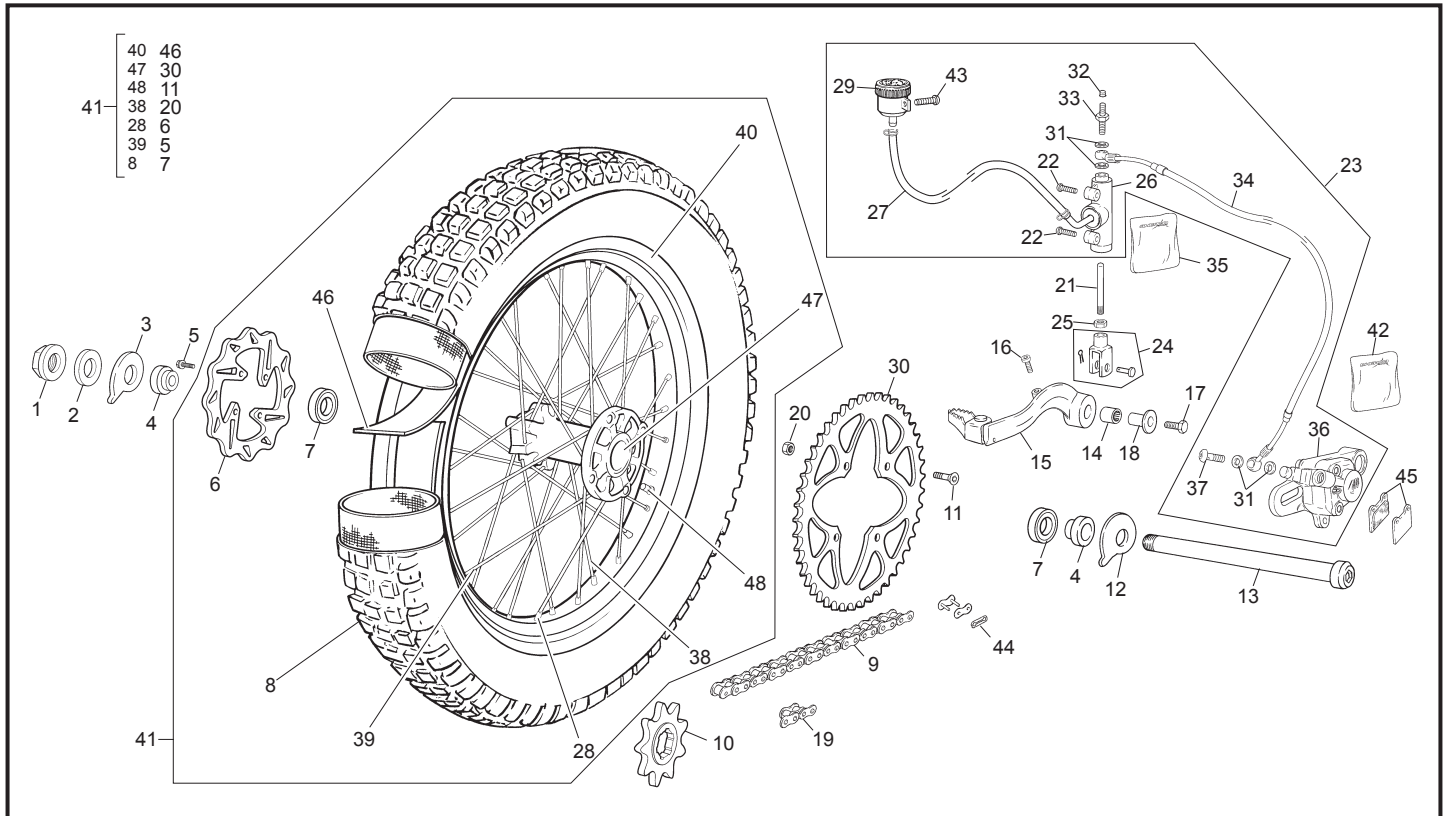
| POS. | 2.9 | FRANÇAIS | ENGLISH | ESPAÑOL |
|------|------|-------------------------------|-----------------------------|--------------------------------|
| 1 | 1401 | ROUE AVANT ROUGE 07 CABES. | FRONT WHEEL RED 07 CABES. | RUEDA DELANTERA ROJO 07 CABES. |
| 2 | C205 | AXE DE ROUE AVANT | FRONT WHEEL AXLE | EJE RUEDA DELANTERA |
| 3 | 1462 | JANTE AVANT RAYONS ROUGE | FRONT RIM RED | LLANTA DELANTE ROJA |
| 4 | R049 | ROULEMENT DE MOYEU 6004 2RS | BEARING HUB 6004 2RS | RODAMIENTO BUJE 6004 2RS |
| 5 | C201 | RUBAN FOND DE JANTE R14025 | RIM RUBBER PROTECTION | GOMA PROTECCIÓN LLANTA |
| 6 | C202 | CHAMBRE A AIR 21AB | 21 TUBE | CAMARA 21 |
| 7 | C204 | PNEU AVANT 2,75X21 | FRONT TIRE 2,75 X 21 | NEUMATICO DELANTERO 2,75 X 21 |
| 8 | C203 | GRISTER | TYRE STAY | AGARRACUBIERTAS |
| 9 | M305 | ECROU NYLSTOP M8 0368.8 | NUT NYLSTOP M8 | TUERCA NYLSTOP M8 |
| 10 | R048 | ECROU DE RAYON AVANT | FRONT NEEPLE SPOCKE | TUERCA RADIO DELANTERO |
| 11 | C381 | RAYON AVANT | FRONT SPOCKE | RADIO DELANTERO |
| 12 | C320 | MOYEU AVANT | FRONT HUB | BUJE DELANTERO |
| 13 | 1064 | DISQUE FREIN AVANT WAVE TRIAL | FRONT DISC WAVE TRIAL | DISCO DELANTERO WAVE TRIAL |
| 14 | C209 | ENTRETOISE DISQUE AVANT | SPACER DISC | CASQUILLO FLOTANTE DISCO |
| 15 | C452 | VIS HEXAGONAL EPAULE M6 X 18 | SCREW EXAGONAL M6 X 18 | TORNILLO HEXA. M6 X 18 |
| 16 | ---- | ENTRETOISE ROUE AVANT | FRONT BRUSH | SEPARADOR EJE RUEDA DELANTERA |
| 17 | C382 | RAYON AV ROUE 32 R L256 | FRONT SPOCKE WEEL 32 R L256 | RADIO DEL RUEDA 32 R L256 |

Roue arriere / Rear wheel / Rueda trasera



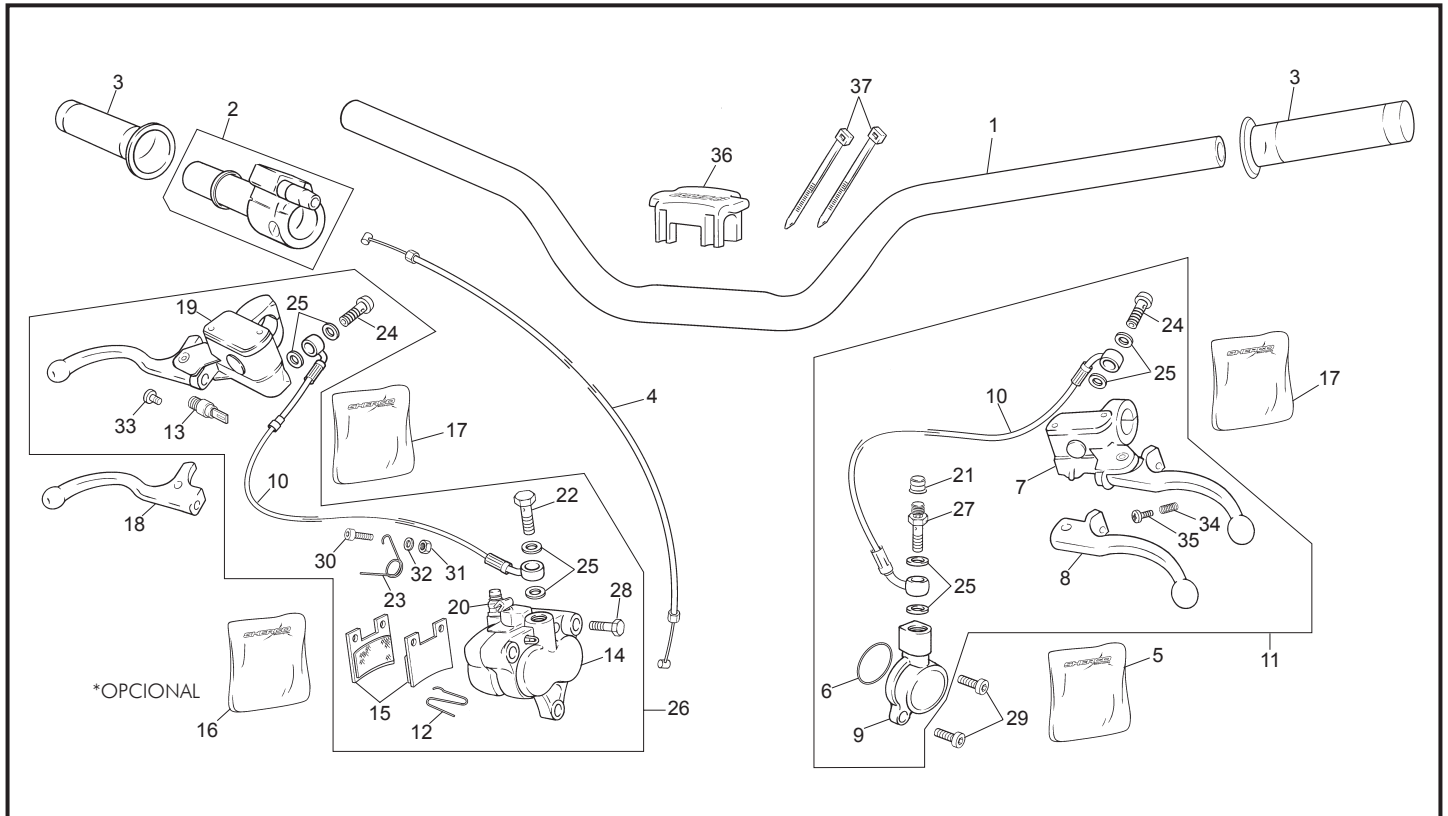
| POS. | 2.9 | FRANÇAIS | ENGLISH | ESPAÑOL |
|------|------|--------------------------------------|--------------------------|--------------------------------|
| 1 | C253 | ECROU ROUE ARRIERE | REAR AXLE NUT | TUERCA EJE RUEDA TRASERA |
| 2 | M314 | RONDELLE X 16 1405 016 | WASHER X 17 | ARANDELA X 17 |
| 3 | C254 | EXENTRIQUE DROIT TENDEUR CHAINE | RUNNER CHAIN | EXCENTRICA DERECHA |
| 4 | C255 | ENTRETOISE ROUE ARRIERE | REAR BRUSH | SEPARADOR RUEDA TRASERA |
| 5 | M249 | VIS BHC 8 X 20 | SCREW BHC 8 X 20 | TORNILLO BHC 8 X 20 |
| 6 | 1065 | DISQUE FREIN ARRIERE WAVE TRIAL | REAR DISC WAVE TRIAL | DISCO FRENO TRASERO WAVE TRIAL |
| 7 | R049 | ROULEMENT DE MOYEU 6004 2RS | BEARING HUB 6004 2RS | RODAMIENTO BUJE 6004 2RS |
| 8 | C251 | PNEU ARRIERE 400X18 | REAR TYRE 400 X 18 | NEUMÁTICO 400 X 018 TUBELESS |
| 9 | C265 | CHAINE | CHAIN | CADENA |
| 10 | C267 | PIGNON | SPROCKET | PIÑÓN |
| 11 | M287 | VIS BHC 8 X 22 | SCREW BHC 8 X 22 | TORNILLO BHC 8 X 22 |
| 12 | C256 | EXENTRIQUE GAUCHE TENDEUR CHAINE | LEFT REAR AXLE EXCENTRIC | EXCENTRICA IZQUIERDA |
| 13 | C326 | AXE ROUE ARRIERE 2002 | AXELE BACK WEEL 2002 | EJE RUEDA TRAS. 2002 |
| 14 | C263 | DOUILLE AIGUILLE PEDALE FREIN | BEARING | CASQUILLO AGUJAS PEDAL FRENO |
| 15 | C327 | PEDALE DE FREIN 2002 | REAR BRAKE PEDAL 2002 | PEDAL FRENO TRASERO 2002 |
| 16 | C358 | VIS CHC M4 X 6 | SCREW M4 X 6 CHC | TORNILLO M4X6 CHC |
| 17 | M303 | VIS HEXAG 8 X 25 | SCREW HEXAG 8 X 25 | TORNILLO HEXAG 8 X 25 |
| 18 | C264 | ENTRETOISE PEDALE DE FREIN | SPACER BRAKE PEDAL | CASQUILLO PEDAL DE FRENO |
| 19 | C304 | 1/2 MAILLON DE CHAINE | HALF COMPLING CONNECTION | MEDIA MALLA DE CADENA |
| 20 | M305 | ECROU NYLSTOP M8 | NUT NYLSTOP M8 | TUERCA NYLSTOP M8 |
| 21 | C261 | TIGE FREIN ARRIERE | PIN BRAKE ROD | TIJA PEDAL FRENO TRASERO |
| 22 | M284 | VIS BHC 6 X 25 | SCREW BHC 6 X 25 | TORNILLO 6 X 25 |
| 23 | C321 | GROUPE FREIN ARRIERE 2002 | REAR BRAKE COMPLETE 2001 | CTO FRENO TRASERO 2001 |
| 24 | C259 | CHAPE PEDALE FREIN 0267 | REAR BRAKE ROD | HORQUILLA PEDAL DE FRENO |
| 25 | M309 | ECROU STANDARD M6 0317 | NUT M6 | TUERCA M6 |
| 26 | C385 | POMPE FREIN AR 9,5 | REAR MASTER CYLINDER 9,5 | BOMBA FRENO TRASERO |
| 27 | R069 | TUBE LIQUIDE FREIN BOCAL/POMPE L 210 | OIL TANK TUBE L 210 | TUBO LIQUIDO FRENO L 210 |
| 28 | R067 | ECROU DE RAYON AR | REAR NIPPLE SPOKE | TUERCA RADIOS TRASEROS |
| 29 | R066 | BOCAL LIQUIDE FREIN | OIL TANK BRAKE | DEPÓSITO LIQUIDO FRENO |
| 30 | C330 | COURRONE 42D 4 TROUS | REAR SPROKET 42D 2002 | CORONA 42D 4TROUS 2002 |
| 31 | R074 | RONDELLE BANJO | ALUMINIUM SEAL | ARANDELA BANJO |
| 32 | R057 | PURGEUR ETIER AVANT | PURGE STIRRUP SCREW | SANGRADOR DELANTERO |
| 33 | R058 | CAPUCHON VIS DE PURGE | HOOD SCREW PURGE | TAPÓN SANGRADOR |
| 34 | C388 | DURITE FREIN ARRIERE | REAR BRAK HOSE | LATIGUILLO FRENO TRASERO |

Roue arriere / Rear wheel / Rueda trasera



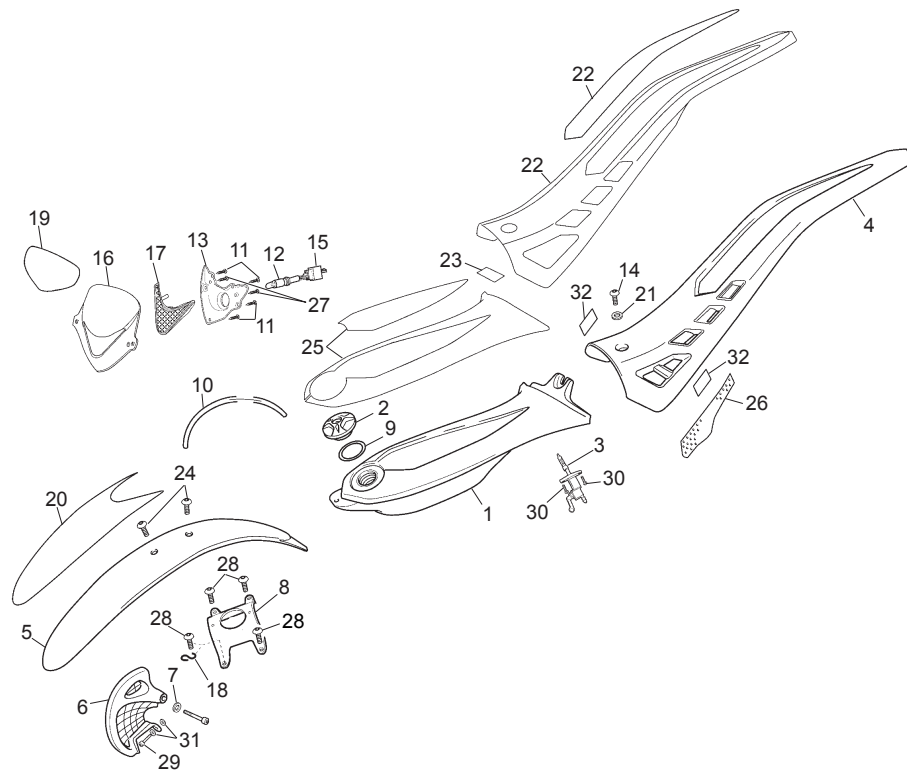
| POS. | 2.9 | FRANÇAIS | ENGLISH | ESPAÑOL |
|------|------|------------------------------------|--------------------------|------------------------------------|
| 35 | R233 | KIT REPARATION POMPE FREIN AR 2005 | KIT BACK CALIPER 2005 | KIT REPARACIÓN PINZA FRENO TR 2005 |
| 36 | C386 | ETRIER FREIN ARRIERE 2005 | REAR CALIPER 2005 | PINZA FRENO TRASERO 2005 |
| 37 | R059 | VIS RACCORD M10 X 21 | LINK SCREW M10 X 21 | TORNILLO RACORD M10 X 21 |
| 38 | C379 | RAYON AR ROUE 32R L218 | REAR SPOKE WEEL 32R L218 | RADIO TRASERO RUEDA 32R L218 |
| 39 | C380 | RAYON AR ROUE 32R L224 | REAR SPOKE WEEL 32R L224 | RADIO TRASERO RUEDA 32R L224 |
| 40 | 1463 | JANTE ARRIERE RAYONS ROUGE 07 | REAR RIM RED 07 | LLANTA TRASERA ROJA 07 |
| 41 | 1400 | ROUE ARRIERE COMPLETE ROUGE 07 | BACK WEEL RED 07 | RUEDA TRAS COMPLETA ROJA 07 |
| 42 | R235 | KIT ETRIER ARRIERE | KIT CALIPER BACK | KIT PINZA FRENO TR |
| 43 | M282 | VIS BHC 6 X 10 1093 | SCREW BHC 6 X 10 | TORNILLO 6 X 10 ULS |
| 44 | R034 | ATTACHE RAPIDE DE CHAINE | CONNECTING LINK | ENGANCHE CADENA |
| 45 | C390 | PLAQUETTES FREIN ARRIERE PAIRE | REAR PAD BRAKE PAIR | JUEGO PASTILLAS TRASERO |
| 46 | R005 | FLAP DE ROUE ARRIERE | STRIP | FLAP |
| 47 | C323 | MOYEU ARRIERE | REAR HUB | BUJE TRASERO |
| 48 | R061 | VALVE AR | TUBLESS VALVE | VÁLVULA |

Guidon / Handlebar / Manillar



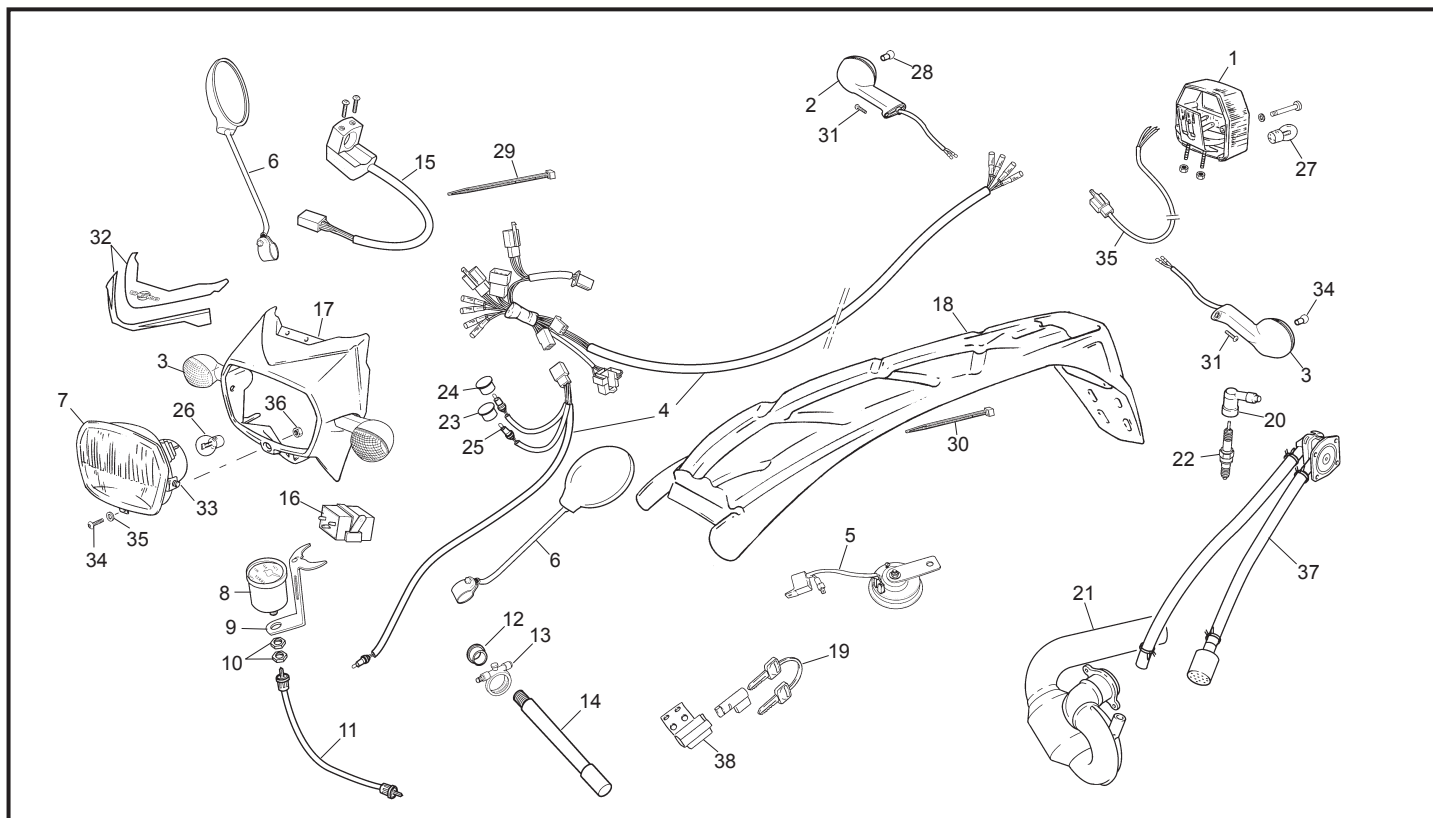
| POS. | 2.9 | FRANÇAIS | ENGLISH | ESPAÑOL |
|------|------|-------------------------------|--|----------------------------------|
| 1 | 1298 | GUIDON TRIAL ANTHRACITE 06 | HANDLEBAR TRIAL ANTHRACITE | MANILLAR TRIAL ANTHRACITE 06 |
| 2 | C074 | COMMANDE DE GAZ | THROTTLE CONTROL | MANDO DE GAS |
| 3 | C075 | POIGNEE CAOUTCHOUC PAIRE | GRIPS SET | JUEGO EMPUÑADURAS |
| 4 | C076 | CABLE DE GAZ | THROTTLE CABLE | CABLE DE GAS |
| 5 | R023 | KIT REP. EMBRAYAGE | CLUTCH SLAVE CYLINDER REPAIR KIT | KIT REPARACIÓN EMBRAGUE |
| 6 | R024 | TORIQUE EMBRAYAGE | CLUTCH SLAVE CYLINDER O-RING | TÓRICA EMBRAGUE |
| 7 | R030 | POMPE EMB. CPL | CLUTCH MASTER CYLINDER ASSEMBLY | CONJUNTO BOMBA EMBRAGUE |
| 8 | R441 | LEJIER EMB SEUL | CLUTCH LEVER | MANETA EMBRAGUE |
| 9 | R032 | RECEPTEUR EMB SEUL | CLUTCH SLAVE CYLINDER HOUSING | PINZA EMBRAGUE COMPLETEA |
| 10 | R033 | DURITE EMBRAYAGE | CLUTCH HOSE | EMBRAGUE / FRENO |
| 11 | M089 | GROUPE CPL. EMB. | COMPLETE CLUTCH HYDRAULIC KIT | GRUPO EMBRAGUE COMPLETO |
| 12 | R042 | CLIP PLAQUETTES | CALIPER SPRING CLIP | CLIP PASTILLAS |
| 13 | R207 | CONTACTEUR FREIN AVANT | BRAKE LIGHT SWITCH | INTERRUPTOR FRENO DELANTERO |
| 14 | C387 | ETRIER FREIN AVANT | FRONT CALIPER ASSY | PINZA FRENO DELANTERO |
| 15 | C389 | PLAQUETTES FREIN PAIRE | PAD BRAKE | JUEGO PASTILLAS FRENO |
| 16 | R234 | KIT REPARATION ETRIER | FRONT BRAKE CALIPER REPAIR KIT | KIT REPARACIÓN PINZA |
| 17 | R053 | KIT REPARATION POMPE FREIN | FRONT BRAKE MASTER CYLINDER REPAIR KIT | KIT REPARACIÓN BOMBA DELANTERO |
| 18 | R440 | LEVIER FREIN AVANT SEUL | FRONT BRAKE LEVER | MANETA FRENO |
| 19 | R056 | POMPE FREIN AV CPL | FRONT BRAKE MASTER CYLINDER ASSEMB. | BOMBA FRENO DELANTERO |
| 20 | R057 | PURGEUR ETIER AVANT | BLEED SCREW | SANGRADOR DELANTERO |
| 21 | R058 | CAPUCHON VIS DE PURGE | BLEED SCREW COVER | TAPÓN SANGRADOR |
| 22 | R059 | VIS RACCORD M10 x 21 | FRONT CALIPER BANJO BOLT | TORNILLO RACORD M10X21 |
| 23 | R043 | GUIDE ETRIER | WIRE GUIDE LOOP | GANCHO LATIGUILLO |
| 24 | R044 | VIS BANJO | BANJO BOLT | TORNILLO RACORD ULS |
| 25 | R074 | JOINT | COPPER O-RING | ARANDELA BANJO |
| 26 | C318 | GROUPE FREIN AVANT CPL | FRONT BRAKE HYDRAULIC ASSEMBLY | GRUPO FRENO DEL COMPLETO |
| 27 | R068 | PURGEUR RACORD | BLEED SREW | SANGRADOR RACORD |
| 28 | R236 | AXE ETRIER FREIN AV D. PISTON | PIN FRONT CALIPER DL.PISTON | EJE PINZA FRENO DEL DOBLE PISTÓN |
| 29 | M252 | VIS CHC 6x20 | SCREW CHC 6x20 | TORNILLO M6X20 DIN 912 |
| 30 | M283 | VIS BHC 6x16 | SCREW BHC 6x16 | TORNILLO M6X16 ULS |
| 31 | M306 | ECROU NYLSTOP M6 | NUT NYLSTOP M6 | TUERCA NYLSTOP M6 |
| 32 | M317 | RONDELLE x 6 | WASHER x 6 | ARANDELA X 6 DIN 125 B |
| 33 | R366 | RACORD | BUSHING FRONT BRAKE LIGHT SWITCH | SOPORTE INTERIOR FRENO |
| 34 | R367 | RESSORT | SPRING | MUELLE MANETA EMBRAGUE |
| 35 | R368 | VIS REGULATION | SCREW | TORNILLO TENSOR MANETA EMBRAGUE |
| 36 | 1227 | MOUSSE GUIDON TRIAL 07 | FOAM HANDLEBAR 07 | ESPUMA MANILLAR TRIAL 07 |
| 37 | 1246 | BRIDAS MUUSE | ZIP TIE | BRIDES |

Plastiques / Plastics / Plásticos



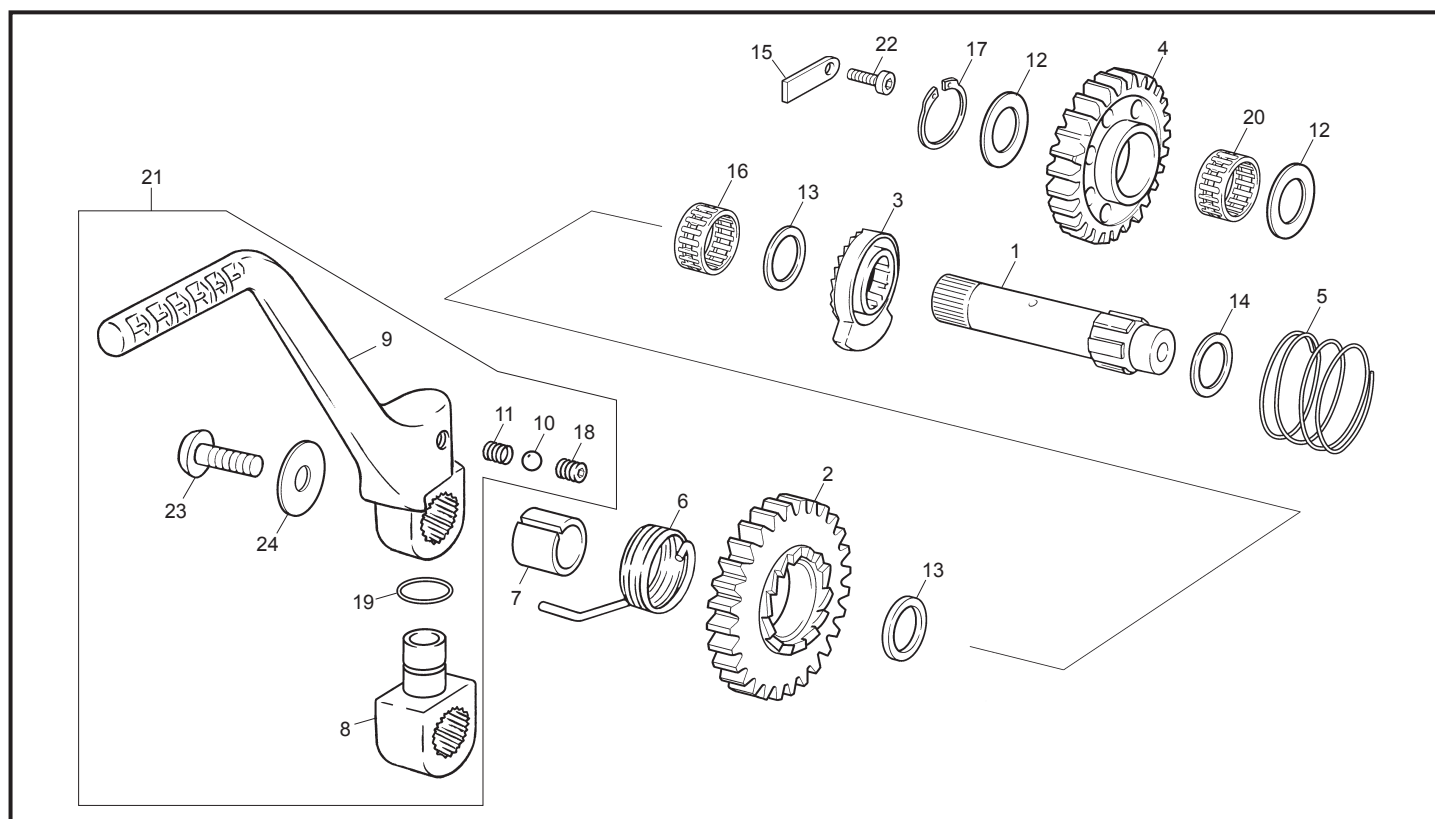
| POS. | 2.9 | FRANÇAIS | ENGLISH | ESPAÑOL |
|------|-------|---------------------------------|---------------------------------|-------------------------------------|
| 1 | 11088 | PRESERVOIR ESSENCE | HFUEL TANK | DEPÓSITO GASOLINA |
| 2 | C712 | BOUCHON ESSENCE | PETROL CAP | TAPÓN GASOLINA |
| 3 | C023 | ROBINET ESSENCE | PETROL TAP | GRIFO GASOLINA |
| 4 | C717 | PARE BOUE ARRIERE GRIS 06 | REAR NUDGUARD GRIS 06 | GUARDABARROS TRASERO GRIS 06 |
| 5 | S350 | PARE BOUE AVANT GRIS 06 | FRONT NUDGUARD GRIS 06 | GUARDABARROS DELANTERO GRIS 06 |
| 6 | C636 | PARE DISQUE | DISC COVER | PROTECTOR DISCO |
| 7 | C031 | ENTRETOISE PARE DISQUE | SPACER DISC COVER | SEPARADOR CUBREDISCOS DELANTERO |
| 8 | C439 | ARCEAU SUPPORT GARDE BOUE | F/MUDGUARD HOLDER | PUENTE SUSPENSIÓN |
| 9 | C721 | JOINT BUOCHONS | CAP GASKET | JUNTA TAPÓN |
| 10 | C043 | DURITE ESSENCE | PETROL HOSE | TUBO GASOLINA |
| 11 | M336 | VIS TOLE 2.9X9.5 | SCREW 2.9X9.5 | TORNILLO CHAPA 2.9X9.5 |
| 12 | C067 | AMPOULE AVANT | FRONT LIGHT BULB | BOMBILLA FARO DELANTERO |
| 13 | C062 | INT. PLAQUE PHARE NOIR | FRONT PLATE BACK HOLDER | INT. PLACA FARO |
| 14 | M343 | VIS 6X35 | SCREW 6X35 | TORNILLO M6X35 |
| 15 | C066 | FAISEAU ELECTRIQUE PLAQUE PHARE | HEADLIGHT WIRING HARNESS | INSTALACIÓN DELANTERA |
| 16 | 1098 | PLAQUE PHARE NOIRE 07 | PLASTIC LIGHT COVER BLACK 07 | PLACA FARO NEGRO 07 |
| 17 | C068 | OPTIQUE | HEADLIGHT LENSE | ÓPTICA COMPLETA |
| 18 | R136 | GUIDE RESSORT FOURCHE | F/ BRAKE HOSE CLIP | GUÍA LATIGUILLO |
| 19 | 1393 | AD PLAQUE FARE 07 CABES. | FRONT LIGHT STICKER 07 CABES. | AD PLACA FARO 07 CABES. |
| 20 | 1392 | AD GB AVANT 07 CABES. | FRONT MUDGARD STICKER 07 CABES. | AD GB DELANTERO 07 CABES. |
| 21 | M321 | RONDELLE 6X18 | WASHER 6X18 | ARANDELA 6X18X1.5 DIN 9021 |
| 22 | 1394 | AD GB ARRIERE | REAR MUDGARD TOP STICKER | AD GB TRASERO |
| 23 | C307 | AD RESERVE COMPETITION | ADVISE STICKER | AD RESERVADO COMPETICIÓN |
| 24 | M289 | ULS VIS BHC M6X12 | SCREW M6X12 | TORNILLO M6X12 |
| 25 | 1391 | AD RESERVOIR 07 CABES. | PETROL TANK STICKER 07 CABES. | AD DEPÓSITO 07 CABES. |
| 26 | C714 | ADH PROTECTEUR TERMIQUE | HEAT RESISTANT STICKER | PROTECTOR TÉRMICO |
| 27 | M342 | VIS TOLE 3.5X9.5 | SCREW 3.5X9.5 | TORNILLO CHAPA 3.5X9.5 |
| 28 | M251 | VIS CHC 6X16 | SCREW CHC 6X16 | TORNILLO M6X16 DIN 912 |
| 29 | M267 | VIS CHC 4X16 | SCREW VIS CHC 4X16 | TORNILLO M4X16 DIN 912 |
| 30 | M282 | VIS BHC 6X10 | SCREW BCH 6X10 | TORNILLO M6X10 ULS |
| 31 | M318 | RONDELLE 4X12 | WASHER 4X12 | ARANDELA 4X12X1 DIN 9021 |
| 32 | 1416 | ADESIF GRILLE GB. ARRIERE TRIAL | REAR MUDGUARD PROTECTOR GB. | ADHESIVO DOBLE CARA GB. TRAS. TRIAL |

Kit homologation / Kit homologation / Kit homologación



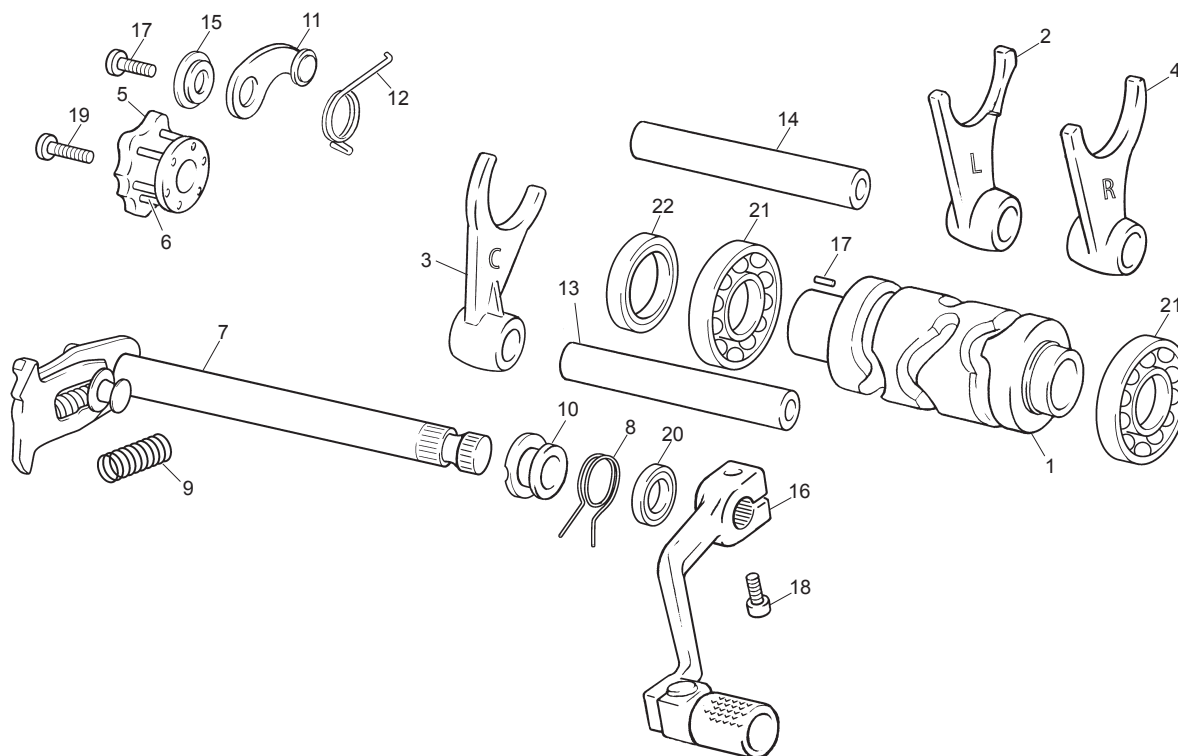
| POS. | 2.9 | FRANÇAIS | ENGLISH | ESPAÑOL |
|------|------|----------------------------------|-----------------------------|--------------------------------|
| 1 | S354 | FEU ROUGE ARRIERE LUXAR | REAR LIGHT ASSY | PILOTO TRASERO COMPLETO |
| 2 | S233 | CLIGNO | INDICATOR | INTERMITENTE |
| 3 | S234 | CLIGNO | INDICATOR | INTERMITENTE |
| 4 | S252 | FAISSEAU ELECT CLIGNO CEE | LIGHT COIRE LOOM | INSTALACIÓN INTERMITENTES |
| 5 | C042 | AVERTISSEUR SONORE | HORN | CLAXON |
| 6 | S232 | RETROVISEUR | MIRROR | RETROVISOR |
| 7 | S353 | GROUPE FHARE AVANT CEV | FRONT LIGHT ASSY | FARO DELANTERO |
| 8 | R201 | COMPTEUR DE VITESSE | SPEEDOMETER ASSEMBLY | CUENTA KILÓMETROS |
| 9 | S287 | SUPPORT COMPTEUR FOURCHE | BRACKET | SOPORTE CUENTA Km. |
| 10 | R202 | ECROU SPECIAL COMPTEUR | NUT (LOCK) | TUERCA |
| 11 | R203 | CABLE COMPTEUR DE VITESSE | SPEEDOMETER CABLE | CABLE CUENTA Km. |
| 12 | R199 | ENTRETOISE COMPTEUR. | SPACER | CASQUILLO REENVÍO |
| 13 | R200 | ENTRAINEUR DE COMPTEUR | SPEEDOMETER DRIVE | REENVIÓ |
| 14 | R209 | AXEA ROUE SPECIAL COMPTEUR | FRONT WHEEL AXLE | EJE ESPECIAL |
| 15 | S288 | FAISS. ELCTR.+CONMUTATEUR CLIGNO | ELECTRIC CABLE HOMOLOGATION | CONMUTADOR DE INTERMITENCIAS |
| 16 | S289 | CENTRAL CLIGNO HOMOLOGATION | INDICATOR LIGHT CENTRAL | CENTRAL INTERMITENCIAS |
| 17 | S352 | PLAQUE PHARE GRIS HOMOL. | FRONT LIGHT COVER | PLACA FARO |
| 18 | C306 | SUPPORT FEU HOMOLOGATION | SUPPORT HOMOLOGATION LIGHT | SOPORTE PILOTO TRASERO HOMOL. |
| 19 | O225 | ANTIVOL | BOLT | ANTIROBO |
| 20 | C396 | BOUGIE ANTIPARASITE HOMOL | REISSTOR SPARK PLUG | BUJÍA ANTIPARASITARIA R |
| 21 | C740 | TUBE ECHAPEMENT HOMOL | EXHAUST PIPE HOMOLOGATION | TUBO ESCAPE CON OBTURADOR |
| 22 | C334 | ANTIPARASITE HOMOLOGUE | PLUG COVER HOMOLOGATION | PIPA HOMOLOGACIÓN R |
| 23 | C400 | TEMOIN VERD | TEST LIGHT GREEN | TESTIGO VERDE |
| 24 | C401 | TEMOIN BLEU | TEST LIGHT BLUE | TESTIGO AZUL |
| 25 | C402 | AMPOULE TEMOIN 13W 12V | BULB TEST | BOMBILLA TESTIGOS 13W 12V |
| 26 | C403 | AMPOULE FARE 35/35W 12V | BULB FRONT LIGHT | BOMBILLA FARO 35/35W 12V |
| 27 | C404 | AMPOULE PILOTE ARR 21/5W 12V | BULB BACK LIGHT | BOMBILLA PILOTO TRAS 21/5W 12V |
| 28 | C405 | AMPOULE CLIGNO 10W/12V | BULB IND LIGHT | BOMBILLA INTERMITENTES 10W/12V |
| 29 | M330 | COLLIER 178X4.8 | BRACKET 178X4.8 | ABRAZADERA 178X4.8 |
| 30 | M331 | COLLIER 100X2.5 | BRACKET 100X2,5 | ABRAZADERA100X2.5 |
| 31 | M335 | VIS TOLE 3.9X16 | SCREW 3.9X6 | TORNILLO ROSCA CHAPA 3.9X16 |
| 32 | 1099 | AD PLAQUE FARE | FRONT LIGHT STICKER | ADH. PLACA FARO |
| 33 | M400 | VIS SANS TETE M5X12 | SCREW NO HEAD M5X12 | ESPARRAGO M5X12 |
| 34 | M267 | VIS CHC 4X16 | SCREM CHC 4X16 | TORNILLO ALLEN 4X16 |
| 35 | M318 | RONDELLE 4X12 | WASHER 4X12 | ARANDELA 4X12 |
| 36 | C641 | ECRON NYLSTOP M4 | NUT NYLSTOP M4 | TUERCA NYLSTOP M4 |
| 37 | C641 | BOITIER SECONDAIRE HOMOL. | BOX SECOND AIR HOMOL. | CAJA AIRE SECUNDARIO HOMOL. |
| 38 | O448 | SUPPORT ANTIVOL DIRECTION | STEAL DIRECTION HOLDER | SOPORTE ANTIROBO |

Lanceur / Kickstarter assembly / Pedal arranque



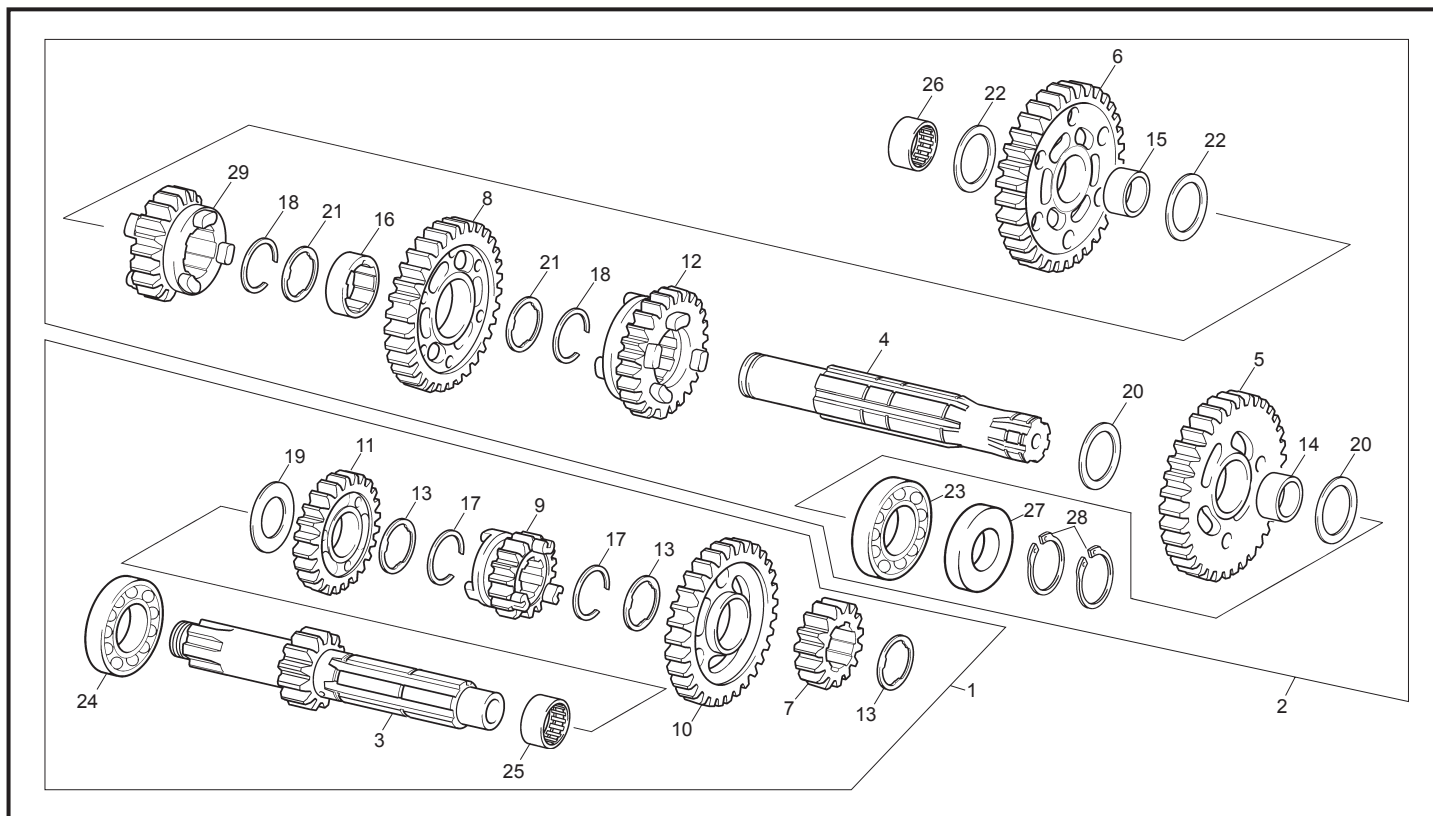
| POS. | 2.9 | FRAÇAIS | ENGLISH | ESPAÑOL |
|------|------|--------------------------------|-------------------------------------|-------------------------------|
| 1 | M150 | ARBRE LANCEUR | KICKSTARTER SHAFT | EJE ARRANQUE |
| 2 | M151 | PIGNON LIBRE DENT DE LOUP | KICKSTARTER PINION | PIÑÓN TRINQUETE |
| 3 | M152 | COULISSEAU DENT DE LOUP | KICKSTARTER FREE RACHET | TRINQUETE DESPLAZABLE |
| 4 | M153 | ROUE INTERMEDIAIRE | KICKSTARTER IDLE GEAR | RUEDA INTERMEDIA |
| 5 | M155 | RESSORT COULISSEAU D DE L | COMPRESSION SPRING | MUELLE TRINQUETE |
| 6 | M156 | RESSORT DE RAPPEL | KICKSTARTER SPRING | MUELLE DE RETORNO |
| 7 | M157 | DOUILLE CENTRAGE RESSORT | KICKSTARTER SPRING SPACER | CASQUILLO CENTRAJE MUELLE |
| 8 | M158 | NOIX DE KICK | KICKSTARTER LOWER CLAMP | MUÑEQUILLA PEDAL ARRANQUE |
| 9 | M159 | LEVIER DE KICK | KICKSTARTER UPPER LEVER | PEDAL ARRANQUE |
| 10 | M160 | BILLE 5.5 | 5.5 BALL | BOLA 5.5 |
| 11 | M161 | RESSORT DE POUSSEE BILLE | BALL SPRING | MUELLE PULSADOR BOLA |
| 12 | M163 | RONDELLE INA AS 17x30x1 | WASHER INA AS 17x30x1 | ARANDELA INA AS17X30X1 |
| 13 | M164 | RONDELLE ARBRE 17x25x1 | WASHER 17x25x1 | ARANDELA EJE ARRANQUE 17X25X1 |
| 14 | M165 | RONDELLE ARBRE 16x25x1 | WASHER 16x25x1 | ARANDELA EJE ARRANQUE 16X25X1 |
| 15 | M166 | BUTEE COULISSEAU D DE L | KICKSTARTER RACHET STOP | TOPE TRINQUETE DESPLAZABLE |
| 16 | M167 | CAGE AIGUILLE PIGNON DENT LOUP | NEEDLE BEARING K17x20x10 | JAULA AGUJAS PIÑÓN TRINQUETE |
| 17 | M171 | SEGMENT ARRET DIAN 17 | RETAINING RING 17 | SEEGER DIÁMETRO 17 |
| 18 | M169 | VIS SANS TETE | SET SCREW | PRISIONERO |
| 19 | M168 | TORIQUE 14X2 | O-RING 14X2 | TÓRICA 14X2 |
| 20 | M077 | DOUILLE AIGUILLE HK1712 B | NEEDLE ROLLER BEARING HK1712 B | JAULA AGUJAS HK1712 B |
| 21 | M149 | KICK COMPLETE | COMPLETE KICKSTARTER LEVER ASSEMBLY | PEDAL COMPLETO |
| 22 | M251 | VIS CHC 6x16 | SCREW CHC 6x16 | TORNILLO M6X16 DIN 912 |
| 23 | M280 | VIS BHC 8x16 | SCREW BHC 8x16 | TORNILLO M8X16 ULS |
| 24 | M319 | RONDELLE 8x18x1.5 | WASHER 8x18x1.5 | ARANDELA 8X18X1.5 CÓNICA DIN |

Selecteur / Gear selector group / Selector cambio



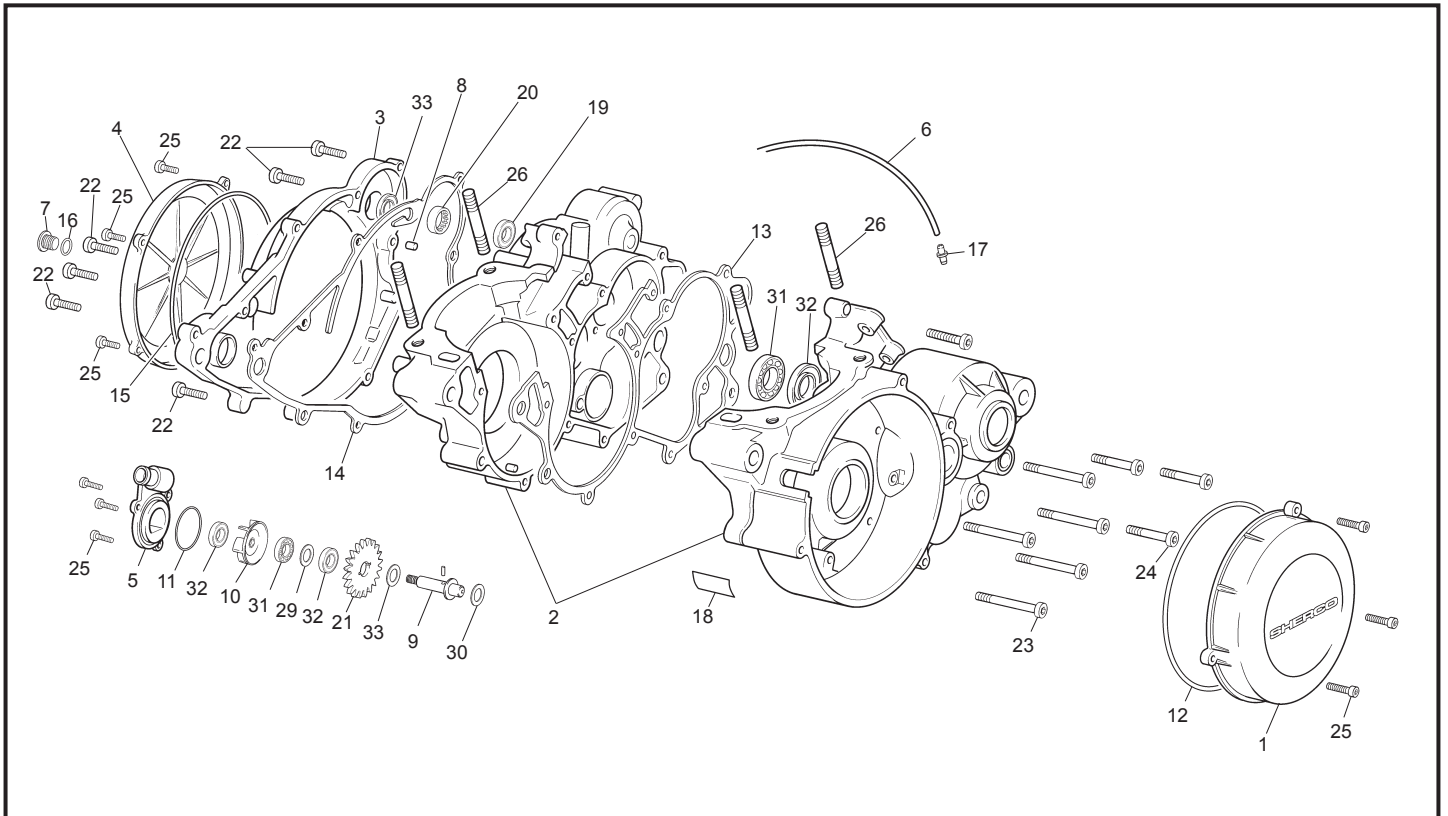
| POS. | 2.9 | FRANÇAIS | ENGLISH | ESPAÑOL |
|------|------|----------------------------------|----------------------------|----------------------------------|
| 1 | M100 | TAMBOUR DE SELECTION | SELECTOR DRUM | DESMODRÓMICO SELECTOR |
| 2 | M102 | FOURCHETTE L | L FORK | HORQUILLA L |
| 3 | M103 | FOURCHETTE | C FORK | HORQUILLA C |
| 4 | M104 | FOURCHETTE R | R FORK | HORQUILLA R |
| 5 | M105 | ETOILE DE SELECTION CPL | INDEX SHIM | ESTRELLA SELECTOR |
| 6 | M106 | PION ETOILE INA NRA 3X19,8 | SELECTOR DRUM | AGUJA DE SELECTORINA |
| 7 | M107 | ARBRE DE SELECTEUR CPL | SHIFT SHAFT WITH PAWL ASSY | ÁRBOL SELECTOR |
| 8 | M110 | RESSORT RAPPEL SELECTION | SPRING SHIFT LEVER | MUELLE RETORNO SELECTOR |
| 9 | M111 | RESSORT RAPPEL COULISSEAU | PAWL ASSY SPRING | MUELLE RETORNO ESCORPIÓN |
| 10 | M113 | DOUILLE CENTRAGE RESSORT RAPPEL | SPACER SPRING SHIFT LEVER | CASQUILLO CENTRAJE MUELLE |
| 11 | M114 | LEVER DE VERROUILLAGE CPL | INDEX LEVER ASSY | PALANCA DE CIERRE SELECTOR |
| 12 | M117 | RESSORT DE RAPPE LEVIER VERROUIL | INDEX SPRING | MUELLE RETORNO PALANCA DE CIERRE |
| 13 | M118 | AX DE FOURCHETTE COURT | FORK SPINDLE | EJE DE HORQUILLA CORTO |
| 14 | M119 | AXE DE FOURCHETTE LONG | FORK SPINDLE LONG | EJE DE HORQUILLA LARGO |
| 15 | M121 | DOUILLE LEVIER VERROUILLAGE | COLLAR | CASQUILLO PALANCA CIERRE |
| 16 | M127 | SELECTEUR EXTERIEUR | SHIFT LEVER ASSY | PALANCA DE CAMBIO |
| 17 | M122 | PION CLAVETAGE NRA 3X11,8 | NEEDLE PINNRA 3X11,8 | AGUJA DESMO NRA 3X11,8 |
| 18 | M252 | VIS CHC 6X20 | SCREW CHC 6X20 | TORNILLO M6X20 DIN 912 |
| 19 | M253 | VIS CHC 6X30 | SCREW CHC 6X30 | TORNILLO M6X30 DIN 912 |
| 20 | M126 | JOINT 12X19X5 | SEAL | RETEN SELECTOR 12X19X5 |
| 21 | M123 | ROULEMENT A BILLES | BEARING | COJINETE |
| 22 | M124 | JOINT | SEAL | RETEN |

Boite a vitesses / Gear set / Cambio



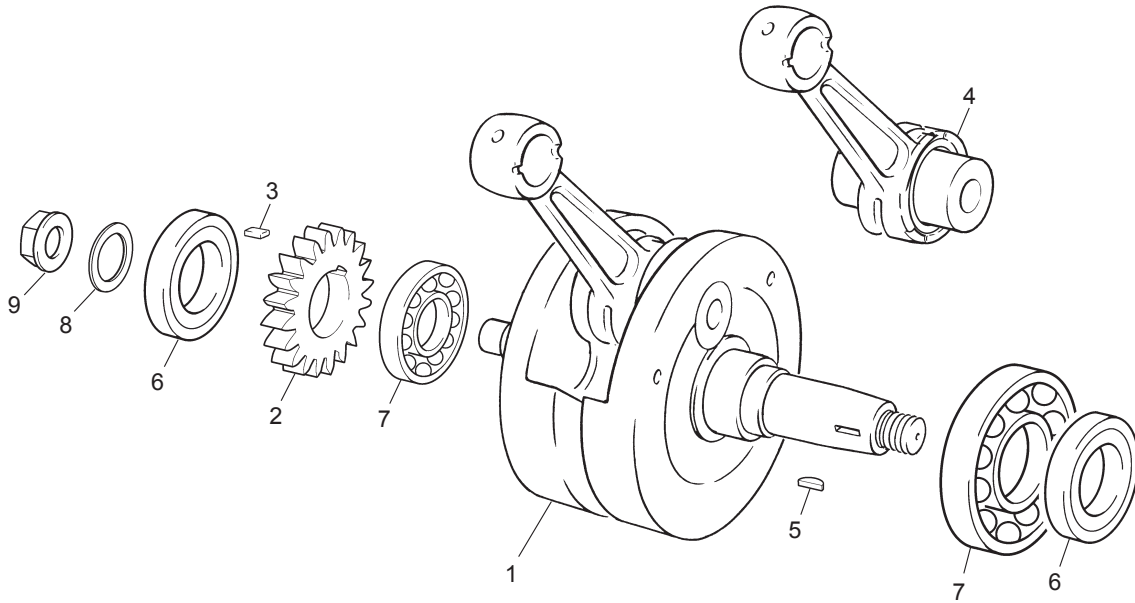
| POS. | 2.9 | FRANÇAIS | ENGLISH | ESPAÑOL |
|------|------|---------------------------------------|-----------------------------------|-------------------------------------|
| 1 | M390 | ENSEMBLE ARBRE PRIMAIRE | GROUP PRIMARY SHAFT WITH PINION | CONJUNTO. EJE PRIM. CAMBIO |
| 2 | M391 | ENSEMBLE ARBRE SECONDAIRE | GROUP SECONDARY SHAFT WITH PINION | CONJUNTO. EJE SECUN. CAMBIO |
| 3 | M374 | ARBRE PRIMAIRE / PIGNON 1ERE EVOL 2 | GEAR CLUTCH SHAFT EVOL 2 | EJE PRIMARIO EVOL 2 |
| 4 | M054 | ARBRE SECONDAIRE | MAINSHAFT | EJE SECUNDARIO |
| 5 | M367 | PIGNON SECONDAIRE 1ERE EVOL 2 S/S | PINION SECOND 1ERE EVOL 2 S/S | PIÑÓN SECOND 1ERE EVOL 2 S/S |
| 6 | M056 | ROUE LIBRE DE 2EME S/S | FREE PINION 2EME | CORONA DE 2º S/S |
| 7 | M057 | PIGNON FIXE DE 2EME S/P | GEAR PINION 2EME | PIÑÓN DE 2º S/P |
| 8 | M058 | ROUE LIBRE DE 3EME S/S | FREE PINION 3EME | CORONA DE 3º S/S |
| 9 | M059 | PIGNON BALADEUR DE 3EME S/P | GEAR PINION 3EME | PIÑÓN DESPLAZABLE 3º S/P |
| 10 | M061 | ROUE LIBRE DE 5EME S/P | FREE PINION 5EME | CORONA LIBRE DE 5º S/P |
| 11 | M062 | LIBRE DE 4EME S/P | GEAR PINION 4EME | PIÑÓN DE 4º S/P |
| 12 | M063 | ROUE BALADEUSE DE 4EME S/S | FREE PINION 4EME | CORONA DESPLAZABLE DE 4º S/S |
| 13 | M064 | RONDELLE CRENEAUX 20x24x1 | GEAR WASHER | ARANDELA ESTRIADA |
| 14 | M065 | DOUILLE ANTI FRICTION 1ERE | BUSHING 1ERE | CASQUILLO ANTI-FRICCIÓN 1º |
| 15 | M066 | DOUILLE ANTI FRICTION 2EME | BUSHING 2EME | CASQUILLO ANTI-FRICCIÓN 2º |
| 16 | M067 | DOUILLE ANTI FRICTION 3EME | BUSHING 3EME | CASQUILLO ANTI-FRICCIÓN 3º |
| 17 | M068 | SEGMENT ARRET WR20 | RETAINING WR 20 | SEEGER WR 20 |
| 18 | M069 | SEGMENT ARRET WR22 | RETAINING WR 22 | SEEGER WR 22 |
| 19 | M070 | RONDELLE INA ARBRE PRIMAIRE 27,8X15X1 | THRUST WASHER 28,7X15X1 | ARANDELA INA EJE PRIMARIO 27,8X15X1 |
| 20 | M071 | ARBRE SECONDAIRE 17x27x1 | MAINSHAFT WASHER | ARANDELA EJE SECUNDARIO |
| 21 | M072 | RONDELLE CRENEAU ARBRE | WASHER | ARANDELA ESTRIADA EJE SECUNDARIO |
| 22 | M073 | RONDELLE ARBRE SECONDAIRE 20x27x1 | MAINSHAFT WASHER | ARANDELA EJE SECUNDARIO |
| 23 | M074 | ROULEMENT 20x47x14 | BEARING 20x47x14 | COJINETE 20X47X14 6204 C3 |
| 24 | M075 | ROULEMENT 20x47x14 RSR | BEARING 20x47x14RSR | COJINETE 20X47X14 6204 RS |
| 25 | M076 | DOUILLE AIGUILLE 15x21x12 | NEEDLE BEARING 15x21x12 | CASQUILLO DE AGUJAS 15X21X12 |
| 26 | M077 | DOUILLE AIGUILLE HK1712B | NEEDLE BEARING 17x23x12 | CASQUILLO DE AGUJAS HK1712B |
| 27 | M078 | DOUBLE LEVRE 20x30x7 | OIL SEAL 20x30x7 JOINT | RETÉN DOBLE LABIO 20X30X7 |
| 28 | M350 | ARRET WR20 SORTIE BOITE | SNAP RING WR20 | SEGMENT ARRET WR20 |
| 29 | M060 | PIGNON LIBRE DE 5EME S/S | GEAR PINION 5EME | PIÑÓN DE 5ª S/S |

Groupe carters / Crankcase assembly / Grupo carters



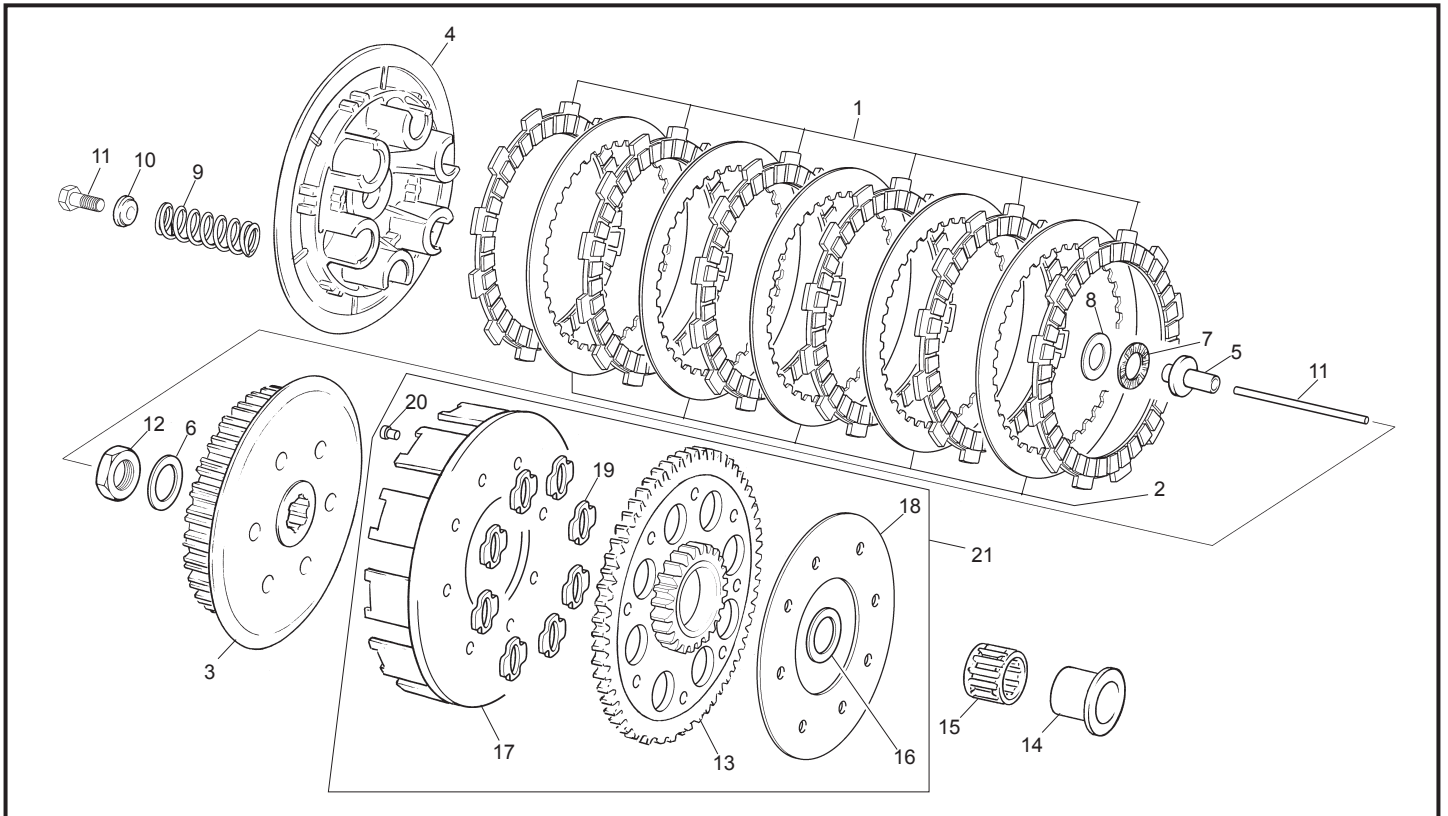
| POS. | 2.9 | FRANÇAIS | ENGLISH | ESPAÑOL |
|------|------|--------------------------------------|--------------------------------|----------------------------------|
| 1 | M742 | CARTER ALLUMAGE 06 | IGNITION COVER 06 | TAPA ENCENDIDO 06 |
| 2 | M688 | GROUPE CARTERS CENTRAUX | CRANKCASES SET | CARTERS CENTRALES |
| 3 | M382 | COVER CARTER LATERAL DROIT | ENGINE SIDE CASE | CARTER LATERAL DERECHO |
| 4 | M383 | COUVERCLE EMBRAYAGE | CLUTCH COVER | TAPETA EMBRAGUE |
| 5 | M384 | COUVERCLE POMPE EAU | WATER PUMP COVER | TAPA BOMBA AGUA |
| 6 | M016 | RENIFLAR CARTER CENTRAL | CRANKCASE BREATHER | TUBO DEPRESOR CARTERS |
| 7 | M021 | BOUCHON REMPLISSAGE HUILE | TRANSMISSION OIL FILLER CAP | TAPÓN LLENADO ACEITE CARTER |
| 8 | M022 | CARTER DOUILLE CENTRAGE CARTER | DOWEL PIN | CASQUILLO CENTRADOR |
| 9 | M363 | AXE POMPE A EAU | WATERPUMP SHAFT | EJE BOMBA AGUA |
| 10 | M351 | TURBINE DE POMPE A EAU | WATERPUMP IMPELLER | TURBINA BOMBA AGUA |
| 11 | M033 | JOINT TORIQUE COUVERCLE POMPE | O-RING WATERPUMP COVER | JUNTA TÓRICA TAPA BOMBA AGUA |
| 12 | M034 | JOINT TORIQUE COUVERCLE ALLUMAGE | O-RING IGNITION COVER | JUNTA TÓRICA TAPA ENCENDIDO |
| 13 | M035 | JOINT CARTER CENTRAL | CRANKCASE GASKET | JUNTA CARTER CENTRAL |
| 14 | M036 | JOINT CARTER LATERAL | ENGINE SIDE CASE GASKET | JUNTA CARTER LATERAL |
| 15 | M045 | JOINT TORIQUE 155x2 | O-RING 155x2 | JUNTA TÓRICA 155X2 TAPA EMBRAGUE |
| 16 | M162 | TORIQUE 10x2.5 BOUCHON HUILE | O-RING | JUNTA TÓRICA TAPÓN ACEITE |
| 17 | M017 | DURITE RENIFLAR 3X5 | CRANKCASE BREATHER PIPE | TUBO DEPRESOR 3X5 |
| 18 | M079 | ADESIF OIL OUT | OIL DRAIN STICKER | ADHESIVO OIL OUT |
| 19 | M170 | JOINT DOUBLE LEVRES 17x28x5 DL | OIL SEAL 17x28x5 DL | RETÉN DOBLE LABIO 17X28X5 DI. |
| 20 | M077 | DOUILLE AGUILLE HK1712 B | NEEDLE ROLLER BEARING HK1712 B | JAULA AGUJAS HK1712 B |
| 21 | M364 | PIGNON POMPE EAU | WATER PUMP PINON | PIÑÓN BOMBA AGUA |
| 22 | M253 | VIS CHC 6x30 | SCREW CHC 6x30 | TORNILLO M6X30 DIN 912 |
| 23 | M254 | VIS CHC 6x55 | SCREW CHC 6x55 | TORNILLO M6X55 DIN 912 |
| 24 | M256 | VIS CHC 6x45 | SCREW CHC 6x45 | TORNILLO M6X45 DIN 912 |
| 25 | M258 | VIS BHC 5x16 | SCREW CHC 5x16 | TORNILLO M5X16 ULS |
| 26 | M291 | GOUJON DE CILYNDRE 8x46 | STUD CYLINDER 8x46 | ESPÁRRAGO CILINDRO 8X46 |
| 29 | M049 | RONDILLE BUTTE POMPE A EAU 8X1 6X0.5 | WATER PUMP BUSHING 8X1 6X0.5 | ARANDELA 8X1 6X0.5 |
| 30 | M030 | RONDILLE BUTTE POMPE A EAU 8X16X1 | WATER PUMP BUSHING 8X16X1 | ARANDELA 8X16X1 |
| 31 | M027 | ROULEMENT | BEARING | COJINETE BOMBA H ₂ O |
| 32 | M031 | JOINT | SEAL | RETEN |
| 33 | M049 | RONDILLE | OIL SEAL | ARANDELA |

Villebrequin assemble / Crankshaft assembly / Cigüeñal biela



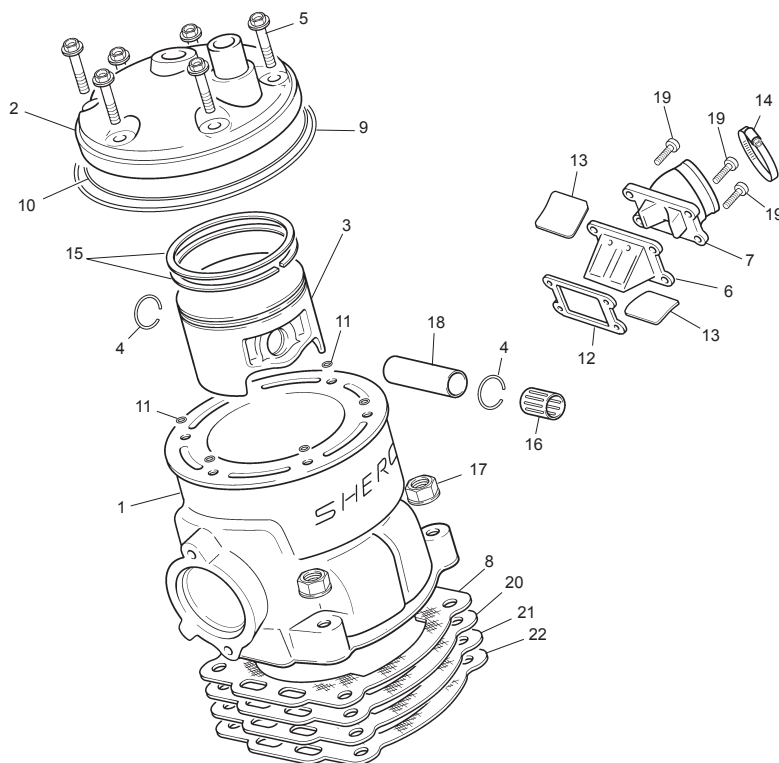
| POS. | 2.9 | FRANÇAIS | ENGLISH | ESPAÑOL |
|------|------|----------------------------------|----------------------------------|-------------------------------|
| 1 | M014 | CVILLEBREQUIN CPL TRIAL | CRANCK SHAFT ASSY | CIGÜEÑAL CPL |
| 2 | M200 | PIGNON PRIMAIRE | PRIMARY DRIVE CRANK PINON | PIÑON PRIMARIO |
| 3 | M204 | CLAVETTE PIGNON PRIMAIRE | WOODRUFF KEY PRIMARY DRIVE | CHAVETA PIÑÓN PRIMARIA |
| 4 | RO21 | KIT BIELLE | CRANKSHAFT REPAIR KIT | KIT BIELA |
| 5 | M023 | CLAVETTE VILO/DIST 19D | WOODRUFF KEY | CHAVETA 4X15 DIN 6885 FE |
| 6 | M032 | JOINT LEVRE VILO 25X40X7DL | CRANKSHAFT SEAL 25X40X7DL | RETEN CIGUENAL 25X40X7DL |
| 7 | M028 | ROULEMENT BILLE VILO 6206.TN9/C3 | CRANKSHAFT BEARING 6206.TN9 C3C3 | COJINETE CIGUENAL 6206.TN9 C3 |
| 8 | M206 | RONDELLE BELLEVILLE 14,2X28X1,5 | SPRING WASHER | ARANDELA CONICA 14,2X28X1,5 |
| 9 | M295 | ECROU 14 X 125 | HEX NUT M14 X 125 | TUERCA M14 X 125 |

Embrayage / Clutch / Embrague

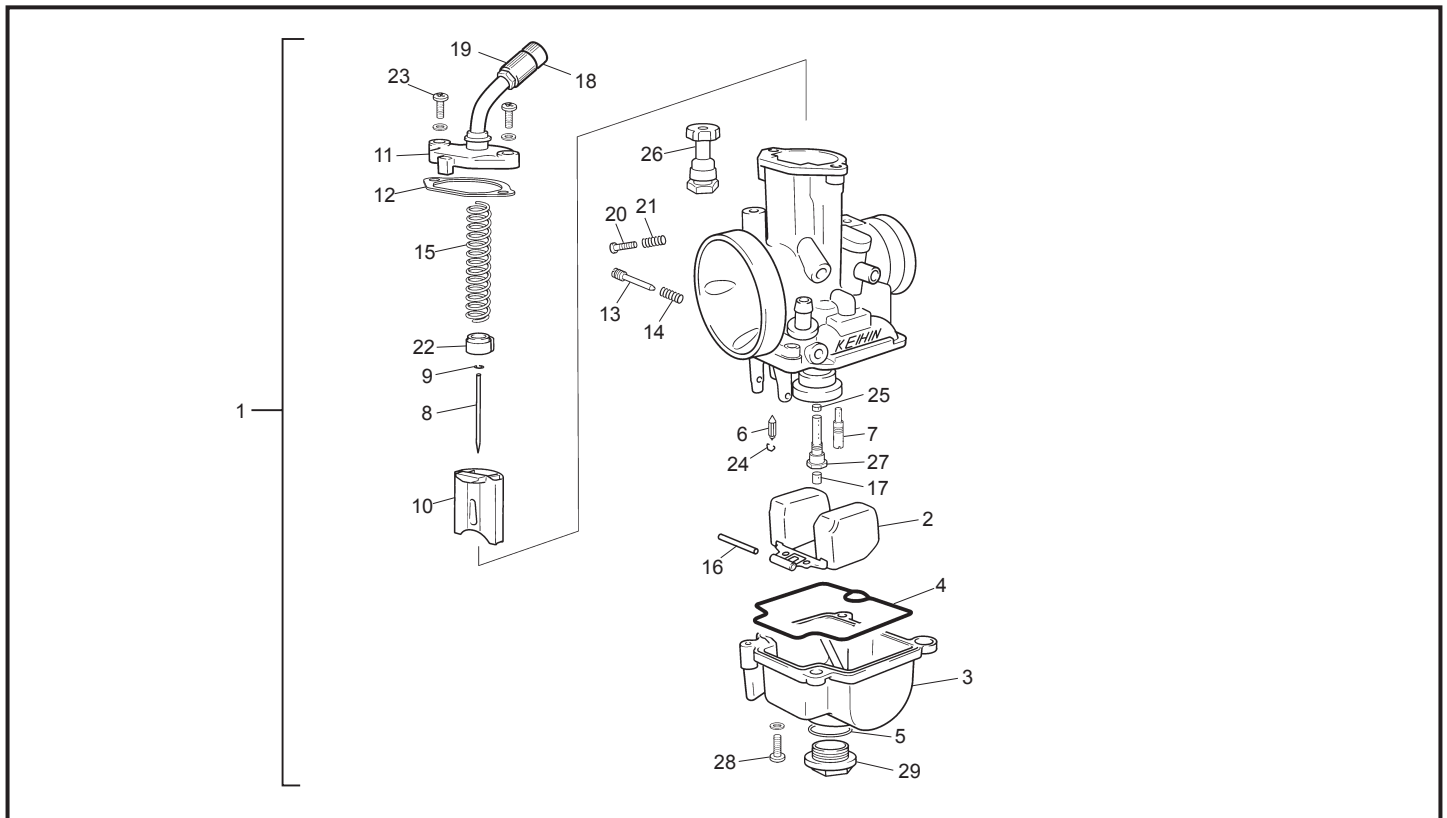


| POS. | 2.9 | FRANÇAIS | ENGLISH | ESPAÑOL |
|------|------|------------------------------------|---------------------------------|------------------------------------|
| 1 | M080 | DISQUE GARNI | FRICTION CLUTCH DISK | DISCO EMBRAGUE FORRADO |
| 2 | M081 | DISQUE LISE | METAL CLUTCH DISK | DISCO EMBRAGUE METÁLICO |
| 3 | M083 | NOYAU | CLUTCH HUB | CUBO EMBRAGUE |
| 4 | M084 | PLATEAU | CLUTCH PRESSURE PLATE | PLATO EMBRAGUE |
| 5 | M085 | POUSSOIR AXIAL | CLUTCH ACTUATOR | PULSADOR AXIAL |
| 6 | M087 | RONDELLE BELLEVILLE 16,3x31,5x1,5 | BELLEVILLE WASHER 16,3X31,5X1,5 | ARANDELA FIJACIÓN 16,3X31,5X1,5 |
| 7 | M090 | BUTEE AIGUILLE EMB AXK1226A | CLUTCH BEARING | CASQ. AGUJAS EMBRAGUE AXK1226A |
| 8 | M091 | RONDELLE BUTEE AS 12X26X1 | THRUST WASHER 12X26X1 | ARANDELA AS 12X26X1 |
| 9 | M092 | RESSORT EMB | CLUTCH SPRING | MUELLE EMBRAGUE |
| 10 | M093 | RONDELLE EMB | CLUTCH SPRING WASHER | ARANDELA EMBRAGUE |
| 11 | M086 | TIGE EMBRAYAGE | PUSHROD | VARILLA EMBRAGUE |
| 12 | M293 | ECROU NOYAU EMB M16X125 | HEX NUT CLUTCH M16X125 | TUERCA CUBO EMBRAGUE |
| 13 | M201 | ROUE PRIMAIRE | PRIMARY DRIVE CLUTCH PINON | RUEDA PRIMARIA |
| 14 | M203 | DOUILLE ROUE PRIMAIRE | SPACER PRIMARY DRIVE | CASQUILLO RUEDA PRIMARIA |
| 15 | M205 | CAGE A AIGUILLE 25x33x24 | NEEDLE BEARING 25x33x24 | JAULA AGUJAS 25X33X24 |
| 16 | M208 | RONDEILLE BUTEE R PRIM INA AS 2035 | PRIMARY WASHER AS 2035 | ARANDELA TOPE PRIMARIA INA AS 2035 |
| 17 | M357 | HOLDER CLOCHE | CLUTCH BASKET | CAMPANA EMBRAGUE |
| 18 | M359 | RONDELLE | SHIM | PLATO REMACHES |
| 19 | M358 | SILENT BLOCK | SILENT BLOCK | SILENTBLOCK |
| 20 | M270 | RIVET 4X15 | RIVET 4X15 | REMACHE 4X15 |
| 21 | M360 | GROUPE CLOCHE | CLUTCH HUB BASKET ASSEMBLY | CONJUNTO CAMPANA |

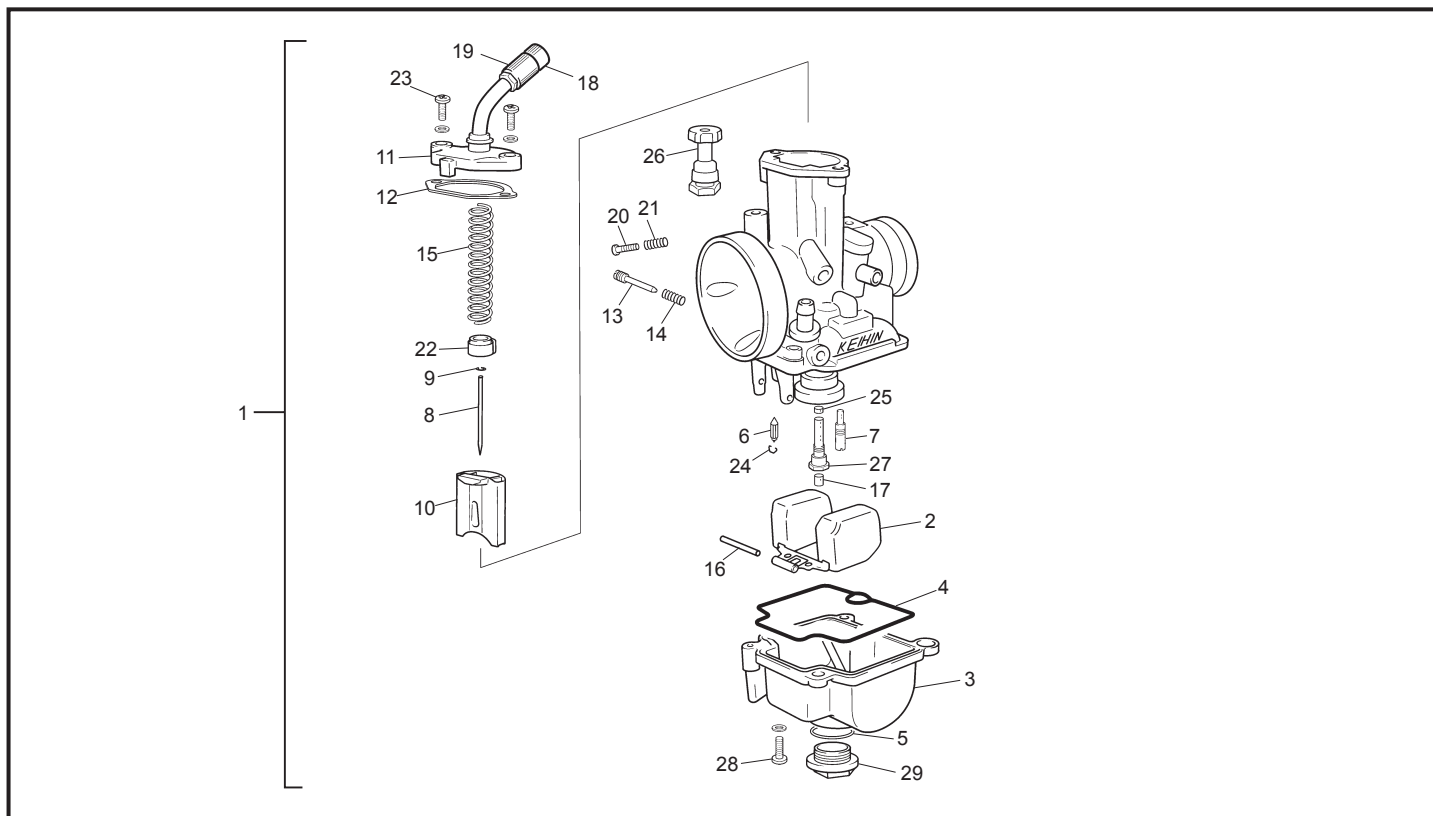
Culasse / Cylinder head / Culata



| POS. | 2.9 | FRANÇAIS | ENGLISH | ESPAÑOL |
|------|------|-----------------------------------|-----------------------------------|------------------------------------|
| 1 | M686 | CYLINDRE | CYLINDER | CILINDRO |
| 2 | 1143 | CULASSE | CYLINDER HEAD | CULATA |
| 3 | M245 | PISTON COMPLET | PISTON COMPLETE | PISTÓN + BULÓN + AROS + CIRCLIPS |
| 4 | R218 | CIRCLIPS PISTON | PISTON CIRCLIP | SERCLIP PISTÓN |
| 5 | 0547 | VIS TH 6X30 | SCREW TH EP 6X30 | TORNILLO TH 6X30 |
| 6 | M018 | BOITE A CLAPETS | REEDS CASE | CAJA DE LAMINAS COMPLETEA |
| 7 | 1205 | PIPE ADMISSION KEIHIN | INTAKE MANIFOLD | TOBERA ADMISIÓN KEIHIN |
| 8 | M681 | JOINT EMBASE CYLINDRE | CYLINDER GASKET | JUNTA CILINDRO |
| 9 | M038 | JOINT TORIQUE CULASSE VITON | CYLINDER HEAD O-RING | JUNTA TÓRICA CULATA EXTERIOR |
| 10 | M039 | JOINT TORIQUE CULASSE VITON | CYLINDER HEAD O-RING | JUNTA TÓRICA CULATA INTERIOR |
| 11 | M040 | JOINT TORIQUE CYLINDRE 5,7x1,9 | CYLINDER HEAD O-RING BOLT 5,7X1,9 | JUNTA TÓRICA ESPAR. CULATA 5,7X1,9 |
| 12 | M041 | JOINT BOITE CLAPET | REEDCASE GASKET | JUNTA CAJA LAMINAS |
| 13 | R022 | CLAPET RECHANGE | REED VALVES | JUEGO LAMINAS |
| 14 | C110 | COLLIER NORMA 32/50 | HOSE CLAMP | ABRAZADERA NORMA 32/50 |
| 15 | R215 | SEGMENT RECTANGULAIRE | STANDARD SIZE PISTON RINGS | ARO RECTANGULAR |
| 16 | M248 | CAGE AIGUILLE PISTON KBK/16X20X18 | NEEDLE BEARING KBK/16X20X18 | JAULA AGUJAS 16X20X18 |
| 17 | M272 | ECROU EMBASE x8 | COLLAR HEX NUT M8 | TUERCA M8 CON VALONA DIN 6923 B |
| 18 | R221 | AXE DE PISTON | PISTON PIN | BULÓN PISTÓN |
| 19 | M279 | VIS BCH 6X20 | SCREW BCH 6X20 | TORNILLO M6X20 ULS |
| 20 | 1171 | JOINT EMBASE CYLINDRE 0,20 | CYLINDER GASKET 0,20 | JUNTA CLINDRO 0,20 |
| 21 | 1172 | JOINT EMBASE CYLINDRE 0,30 | CYLINDER GASKET 0,30 | JUNTA CLINDRO 0,30 |
| 22 | 1173 | JOINT EMBASE CYLINDRE 0,40 | CYLINDER GASKET 0,40 | JUNTA CLINDRO 0,40 |

Carburateur / Carburetor / Carburador


| POS. | 2.9 | FRANÇAIS | ENGLISH | ESPAÑOL |
|------|------|-------------------------------------|-------------------------------------|-------------------------------------|
| 1 | 1123 | CARBURATEUR COMPLET 2T | CARBURETOR COMPLETE 2T | CARBURADOR COMPLETO 2T |
| 2 | 1330 | FLOTEUR DE CARBU. KEIHIN | CARBU. FLOTEUR KEIHIN | BOYA CARBU. KEIHIN |
| 3 | 1331 | CUVE CARBURATEUR KEIHIN | CARBURETOR CUVE KEIHIN | CUBA CARBURADOR KEIHIN |
| 4 | 1333 | VIS FIXATION CUVE KEIHIN | SCREW FIXATION CUVE KEIHIN | TORNILLO CUBA CARBU. KEIHIN |
| 5 | 1334 | JOINT TORIQUE CUVA | O-RING FLOAT | TÓRICA CUBETA |
| 6 | 1335 | POINTEAU CARBU. KEIHIN | POINTEAU CARBU. KEIHIN | VÁLVULA AGUJA KEIHIN |
| 7 | 1403 | GICLEUR RALENTI 42 KEIHIN | PILOT JET 42 KEIHIN | CHICLE RALENTÍ 42 KEIHIN |
| 7 | 1336 | GICLEUR RALENTI 45 KEIHIN | PILOT JET 45 KEIHIN | CHICLE RALENTÍ 45 KEIHIN |
| 7 | 1337 | GICLEUR RALENTI 52 KEIHIN | PILOT JET 52 KEIHIN | CHICLE RALENTÍ 52 KEIHIN |
| 7 | 1338 | GICLEUR RALENTI 55 KEIHIN | PILOT JET 55 KEIHIN | CHICLE RALENTÍ 55 KEIHIN |
| 7 | 1339 | GICLEUR RALENTI 48 KEIHIN | PILOT JET 48 KEIHIN | CHICLE RALENTÍ 48 KEIHIN |
| 7 | 1327 | GICLEUR RALENTI 50 KEIHIN | PILOT JET 50 KEIHIN | CHICLE RALENTÍ 50 KEIHIN |
| 8 | 1340 | AIGUILLE CARBU. KEIHIN JFH | AIGUILLE CARBU. JFH | AGUJA CARBU. JFH |
| 8 | 1341 | AIGUILLE CARBU. KEIHIN JJH | AIGUILLE CARBU. JJH | AGUJA CARBU. JJH |
| 9 | 1342 | CLIP AIGUILLE CARBU. KEIHIN | CLIP AIGUILLE CARBU. KEIHIN | CLIP AGUJA CARBU. KEIHIN |
| 10 | 1326 | BOISSEAU KEIHIN 3.5 | CARBU. VALVE KEIHIN 3.5 | CAMPANA KEIHIN 3.5 |
| 10 | 1343 | BOISSEAU KEIHIN 4.0 | CARBU. VALVE KEIHIN 4.0 | CAMPANA KEIHIN 4.0 |
| 11 | 1344 | COUVERCLE BOISSEAU KEIHIN | CARBU. COVER KEIHIN | TAPA CARBU. KEIHIN |
| 12 | 1345 | COUVERCLE BOISSEAU GASKET KEIHIN | JOINT COVER KEIHIN | JUNTA TAPA CARBU.KEIHIN |
| 13 | 1346 | VIS REGUL ESSENCE CARBU. KEIHIN | SCREW REGUL PETROL CARBU. KEIHIN | TORNILLO AIRE KEIHIN |
| 14 | 1347 | RESSORT VIS ESSENCE CARBU. KEIHIN | SPRING SCREW REGUL PETROL CARBU. | MEULLE TRONILLO AIRE KEIHIN |
| 15 | 1348 | RESSORT CARBU. KEIHIN | SPRING CARBU. KEIHIN | MUELLE CARBU. KEIHIN |
| 16 | 1351 | AXE BALANCIER FLOTEUR CARBU. KEIHIN | PIN BALANCIER FLOTEUR CARBU. KEIHIN | EJE BALANCÍN FLOTADOR CARBU. KEIHIN |
| 17 | 1402 | GICLEUR PRINCIPAL 115 KEIHIN | MAIN JET 115 KEIHIN | CHICLE PRINCIPAL 115 KEIHIN |
| 17 | 1352 | GICLEUR PRINCIPAL 118 KEIHIN | MAIN JET 118 KEIHIN | CHICLE PRINCIPAL 118 KEIHIN |
| 17 | 1353 | GICLEUR PRINCIPAL 120 KEIHIN | MAIN JET 120 KEIHIN | CHICLE PRINCIPAL 120 KEIHIN |
| 17 | 1248 | GICLEUR PRINCIPAL 122 KEIHIN | MAIN JET 122 KEIHIN | CHICLE PRINCIPAL 122 KEIHIN |
| 17 | 1347 | GICLEUR PRINCIPAL 125 KEIHIN | MAIN JET 125 KEIHIN | CHICLE PRINCIPAL 125 KEIHIN |
| 18 | 1354 | ADAPTE CABLE KEIHIN | CABLE ADJUSTING BOLT KEIHIN | AJUSTE CABLE GAS KEIHIN |
| 19 | 1355 | ECROU ADAPTE CABLE KEIHIN | NUT CABLE ADJUSTING BOLT KEIHIN | TUERCA AJUSTE CABLE GAS KEIHIN |
| 20 | 1356 | VIS REGUL GAS CARBU. KEIHIN | KIT SCREW REGUL GAS KEIHIN | TORNILLO RELANTÍ KEIHIN |
| 21 | 1357 | RESSORT VIS REGUL GAS CARBU. KEIHIN | SPRING SCREW REGUL GAS KEIHIN | MUELLE TORNILLO RELANTÍ KEIHIN |
| 22 | 1358 | DOUILLE NYLON RESSORT GAZ | FOOTREST NYLON GAS | CASQUILLO NYLON MUELLE KEIHIN |
| 23 | 1359 | VIS FIXATION COUVERCLE BOISSEAU | SCREW COVER KEIHIN | TORNILLO FIJACIÓN TAPA CAMPANA |

Carburateur / Carburetor / Carburador


| POS. | 2.9 | FRANÇAIS | ENGLISH | ESPAÑOL |
|------|------|--------------------------|------------------------------|-------------------------------|
| 24 | 1349 | CLIP VALVE KEIHIN | CLIP FLOAT VALVE KEIHIN | CLIP VÁLVULA KEIHIN |
| 25 | 1360 | PULVERISATEUR INFERIEUR | LOWER SPRAYER | PULVERIZADOR INFERIOR |
| 26 | 1329 | GROUPE STARTER KEIHIN | CHOKE SET REPLACEMENT KEIHIN | CTO. ESTÁRTER RECAMBIO KEIHIN |
| 27 | 1361 | NEEDLE JET HOLDER | NEEDLE JET HOLDER | NEEDLE JET HOLDER |
| 28 | 1350 | VIS FIXATION CUVE KEIHIN | SCREW FLOT KEIHIN | TORNILLO FIJACIÓN CUBA KEIHIN |
| 29 | 1332 | JOINT COVE CARBU. KEIHIN | FLOT CHAMBER GASKET | JUNTA CUBA CARBU. KEIHIN |



SHERCO
recambios@sherco-moto.com

www.sherco-moto.com

2007

SKF



MICHELIN

Leonelli
IMPIANTI DI ACCENSIONE IGNITION SYSTEMS

MINERVA OIL

SHERCO
Motorcycles