

Spare part's book 11

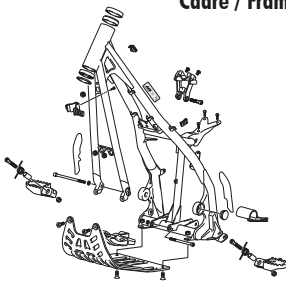
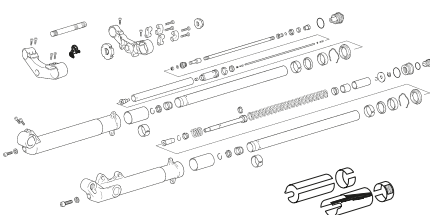
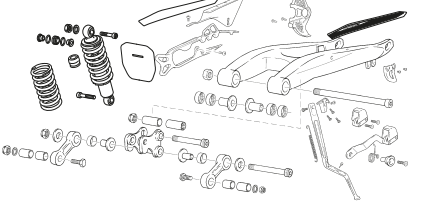
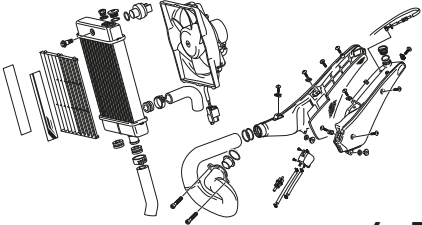
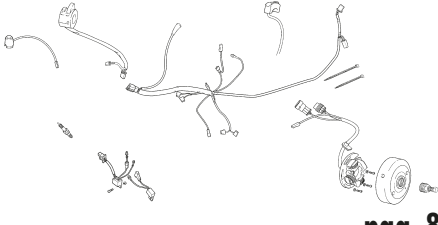
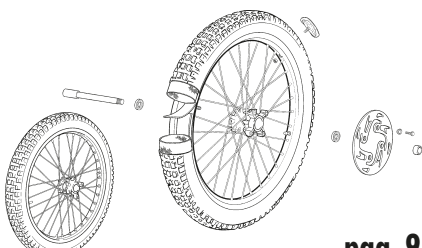
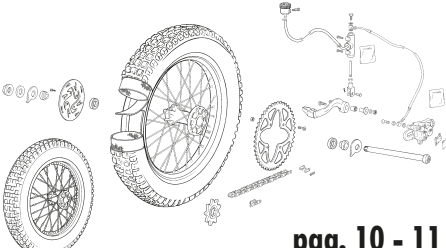
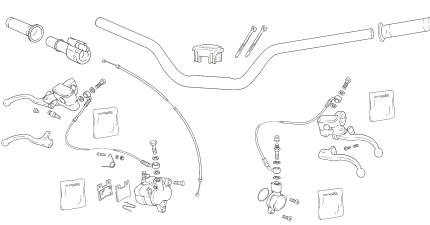
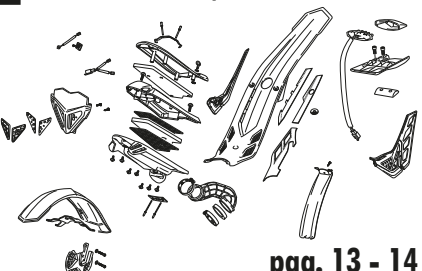

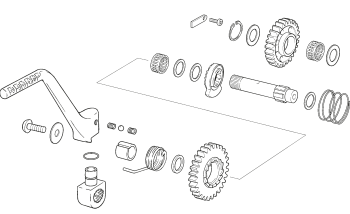
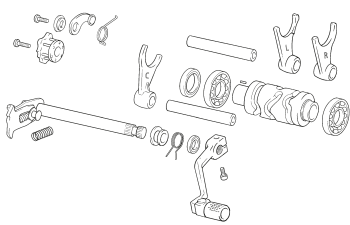
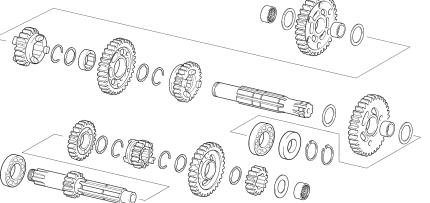
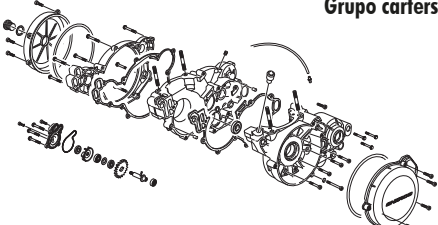
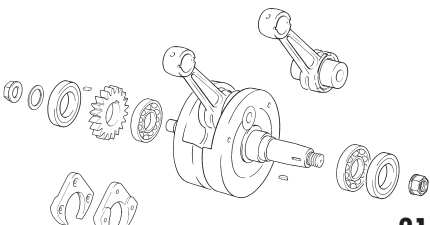
1.25 2.5 2.9

2T Trial



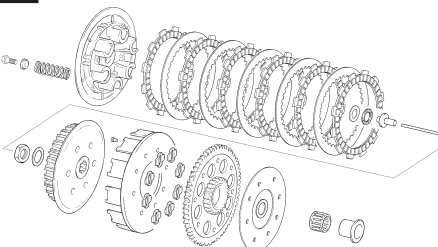
SHERCO
Motorcycles

Index / Index / Índice

| | | |
|------------------------------------------------------------------------------------------------------------------------------------------------------------------|----------------------------------------------------------------------------------------------------------------------------------------------------------------------------------|--------------------------------------------------------------------------------------------------------------------------------------------------------------------------------------------------------|
| <p>1 Cadre / Frame / Chasis</p>  <p>pag. 1</p> | <p>2 Fourche / Fork / Horquilla</p>  <p>pag. 2 - 3</p> | <p>3 Amortisseur - Bras oscillant / Rear Shock - Swingarm / Amortiguador - Basculante</p>  <p>pag. 4 - 5</p> |
| <p>4 Radiateur / Radiator / Radiador</p>  <p>pag. 6 - 7</p> | <p>5 Faisceau électrique / Electrical system / Instalación eléctrica</p>  <p>pag. 8</p> | <p>6 Roue avant / Front wheel / Rueda delantera</p>  <p>pag. 9</p> |
| <p>7 Roue arrière / Rear wheel / Rueda trasera</p>  <p>pag. 10 - 11</p> | <p>8 Guidon / Handlebar / Manillar</p>  <p>pag. 12</p> | <p>9 Plastiques / Plastics / Plásticos</p>  <p>pag. 13 - 14</p> |
| <p>10 Adhésif / Stiker / Adhesivos</p>  <p>pag. 15</p> | <p>11 Lanceur / Kickstarter assembly / Pedal arranque</p>  <p>pag. 16</p> | <p>12 Selecteur / Gear selector group / Selector cambio</p>  <p>pag. 17</p> |
| <p>13 Boîte à vitesses / Gear set / Cambio</p>  <p>pag. 18</p> | <p>14 Groupe carters / Crankcase assembly / Grupo carters</p>  <p>pag. 19 - 20</p> | <p>15 Villebrequin assemble / Crankshaft assembly / Cigüeñal biela</p>  <p>pag. 21</p> |

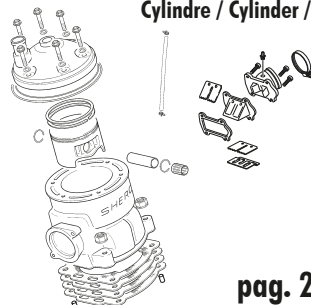
Index / Index / Índice

16 **Embrayage / Clutch / Embrague**



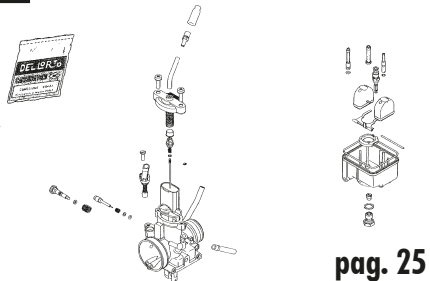
pag. 22

17 **Cylindre / Cylinder / Cilindro**



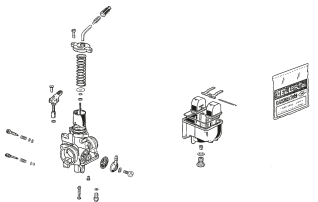
pag. 23 - 24

18 **Carburateur / Carburetor / Carburador Ø28**

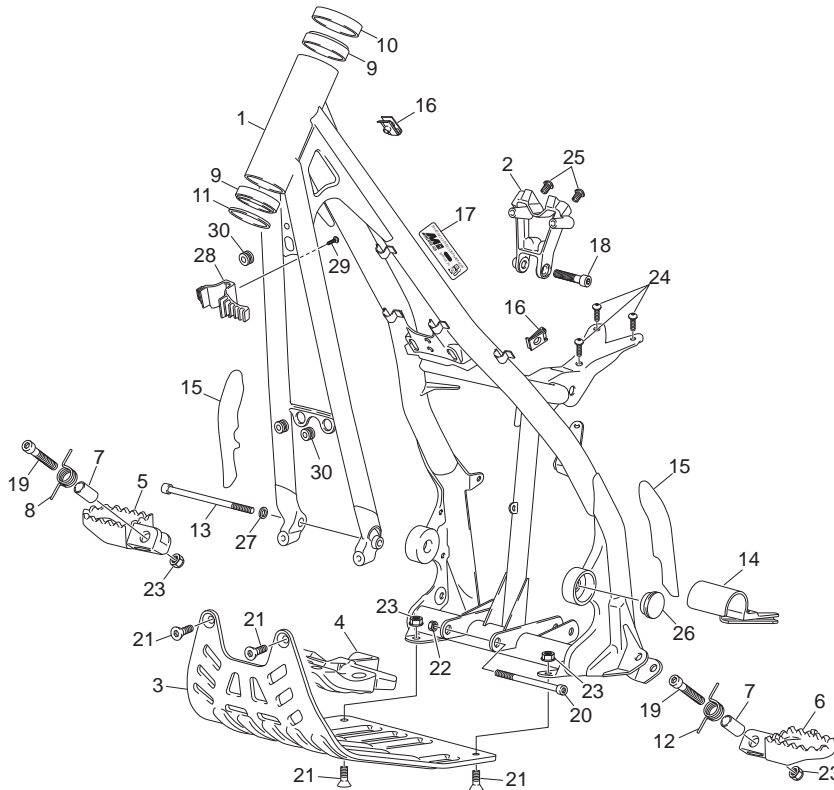


pag. 25

19 **Carburateur / Carburetor / Carburador Ø26**

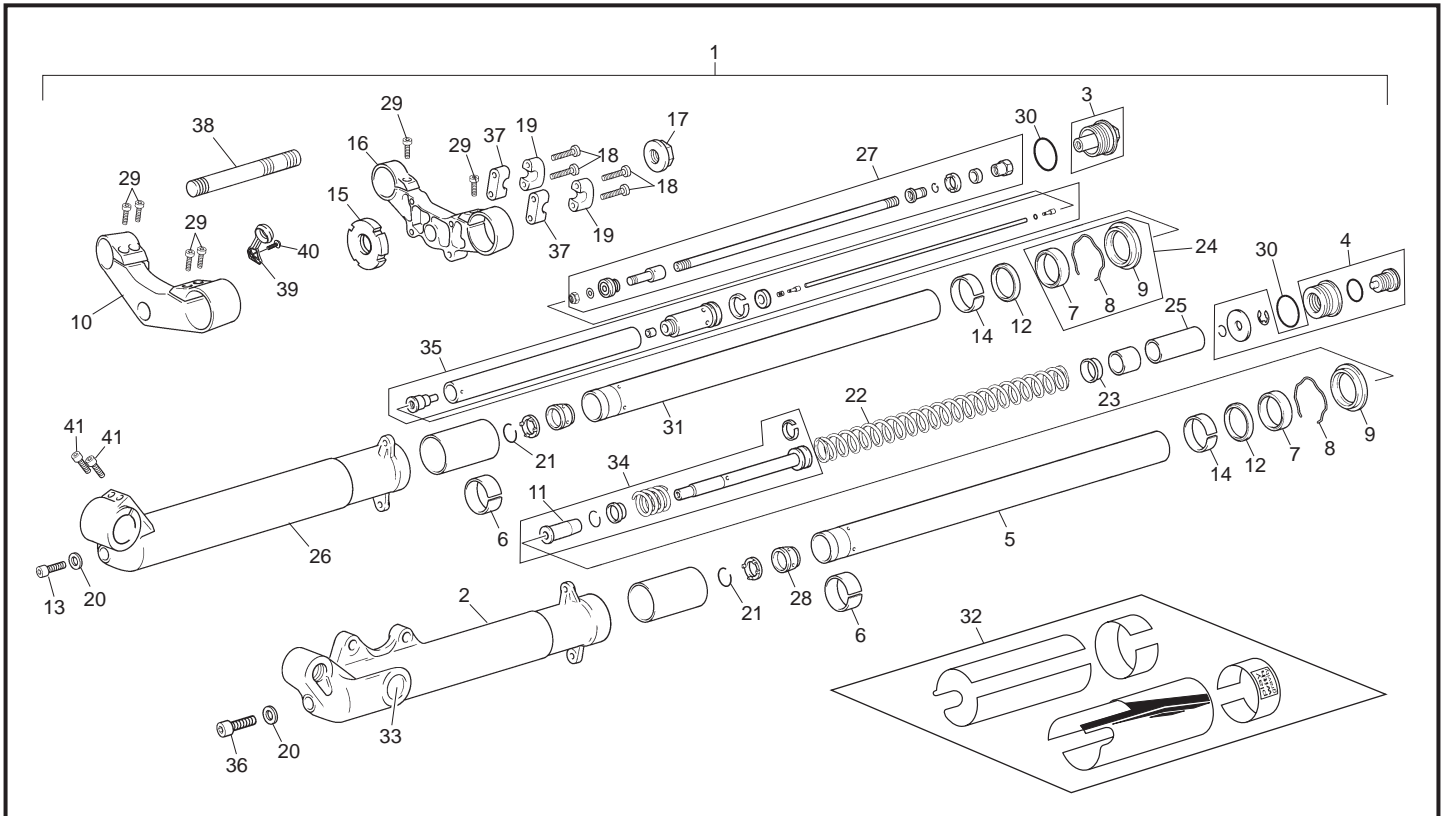


pag. 26 - 27

Cadre / Frame / Chasis


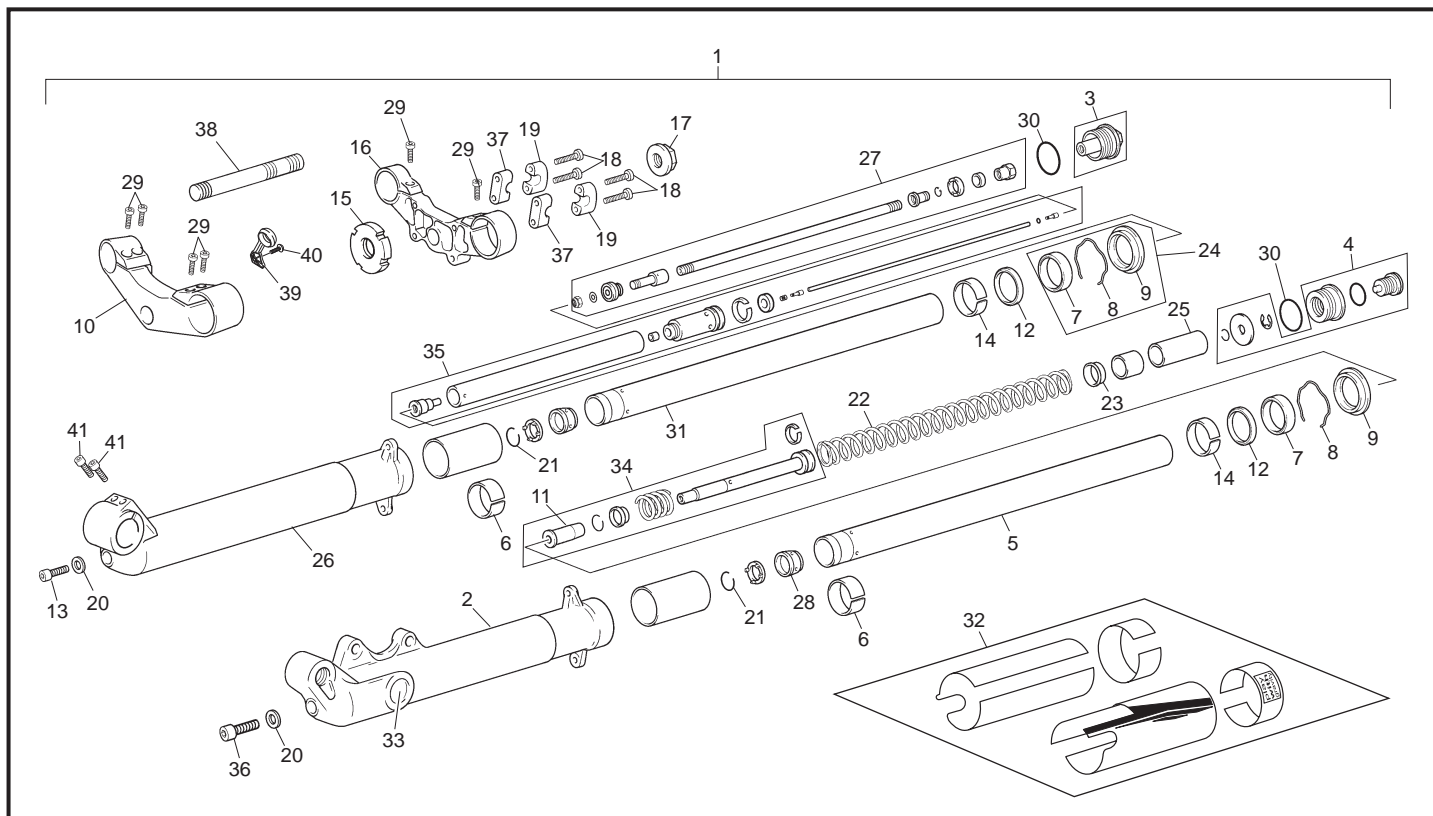
| POS. | 1.2 | 2.5 | 2.9 | FRANÇAIS | ENGLISH | ESPAÑOL |
|------|------|------|------|-------------------------------------|-----------------------------------|-----------------------------------|
| 1 | 3145 | 3145 | 3145 | CADRE TRIAL 2T 4T 2011 TRIAL | FRAMETRIAL 2T 4T 2011 TRIAL | CHASIS TRIAL 2T 4T 2011 TRIAL |
| 2 | 2865 | 2251 | 2251 | PATE FIXATION CYLINDRE 2.5/2.9 2010 | CLINDER SUPPORT 2.5/2.9 2010 | TIRANTE CILINDRO 2.5/2.9 2010 |
| 3 | 2300 | 2300 | 2300 | SABOT 2010 | BASH PLATE 2010 | PROTECTOR CARTERS MOTOR 2010 |
| 4 | 3155 | 3155 | 3155 | CAOUTCHOUC MOTEUR 2011 | BASH PLATE RUBBER 2011 | CAUCHO PLACA MOTOR 2011 |
| 5 | 2015 | 2015 | 2015 | REPOSE PIED DROIT 2010 | RIGHT FOOTREST 2010 | ESTRIBERA DERECHA 2010 |
| 6 | 2016 | 2016 | 2016 | REPOSE PIED GAUCHE 2010 | LEFT FOOTREST 2010 | ESTRIBERA IZQUIERDA 2010 |
| 7 | 2867 | 2867 | 2867 | ENTRETOISE REPOSE PIED LONG 2010 | SPACER FOOT PEG LONG 2010 | CASQUILLO ESTRIBERA LARGO 2010 |
| 8 | C008 | C008 | C008 | RESSORT REPOSE PIED DROITE | RIGHT FOOTPEG | MUELLE ESTRIBERA DERECHA |
| 9 | C009 | C009 | C009 | ROULEMENT COLONNE DIRECTION | STEERING BEARING | COJINETE DIRECCIÓN R32004 |
| 10 | C010 | C010 | C010 | BAGUE DE PROTEC. HAUTE PLASTIC | PLASTIC DUST COVER | GUARDA POLVO SUPERIOR PLÁSTICO |
| 11 | C011 | C011 | C011 | BAGUE DE PROTECTION BASSE | FORK ALUMINIUM WASHER | GUARDA POLVO INFERIOR |
| 12 | C012 | C012 | C012 | RESSORT DE REPOSE PIED GAUCHE | LEFT FOOTPEG SPRING | MUELLE ESTRIBERA IZQUIERDA |
| 13 | C172 | C172 | C172 | AXE MOTEUR AV | FRONT ENGINE BOLT | TORNILLO MOTOR |
| 14 | C013 | C013 | C013 | PATIN CHAINE CADRE | SWINGARM CHAIN PROTECTOR | PATIN CADENA CHASIS |
| 15 | 3232 | 3232 | 3232 | ADHESIF PROTEC CADRE JEU 2011 | FRAME PROTECTOR STICKER PAIR 2011 | ADESIVO PROT. CHASSIS JUEGO 2011 |
| 16 | M308 | M308 | M308 | ECROU CLIP M6 0500500400 | NUT CLIP M6 | TUERCA CLIP M6 |
| 17 | C393 | C393 | C393 | ADESIF | STICKER | TORNILLO 8X40 ALLEN |
| 18 | M263 | M263 | M263 | VIS CHC 8X40 0084 | SCREW CHC 8X40 | TORNILLO M8X40 ALLEN |
| 19 | M264 | M264 | M264 | VIS CHC 8X45 | SCREW CHC 8X45 | TORNILLO M8X45 DIN 912 |
| 20 | M396 | M396 | M396 | VIS CHC 10X80 | SCREW CHC 10X80 | TORNILLO M10X80 DIN 912 |
| 21 | M301 | M301 | M301 | VIS FHC 8X20 | SCREW FHC 8X20 | TORNILLO M8X20 DIN 7991 |
| 22 | M304 | M304 | M304 | ECROU NYLSTOP M10 | NUT NYLSTOP M10 | TUERCA NYLSTOP M10 |
| 23 | M305 | M305 | M305 | ECROU NYLSTOP M8 | NUT NYLSTOP M8 | TUERCA NYLSTOP M8 |
| 24 | M345 | M345 | M345 | VIS BHC 6X12 CARROSSERIE | SCREW BHC 6X12 CARROSSERIE | TORNILLO 6X12 ESPECIAL CARROCERIA |
| 25 | M282 | M282 | M282 | VIS BHC 6X10 1093 | SCREW BHC 6X10 | TORNILLO 6X10 BHC |
| 26 | C165 | C165 | C165 | BOUCHON | CUP | TAPÓN |
| 27 | 3021 | 3021 | 3021 | RONDELE M10 | WASHER M10 | ARANDELA M10 |
| 28 | 3156 | 3156 | 3156 | BUTEE DIRECTION TR 11 | STOP FRAME TR11 | TOPE DIRECCION TR 11 |
| 29 | M278 | M278 | M278 | VIS BHC 5X10 | SCREW BHC 5X10 | TORNILLO 5X10 ULS |
| 30 | C118 | C118 | C118 | SILENBLOCK RADIATEUR | RADIATOR SILENBLOCK | SILENBLOCK RADIADOR |

Fourche / Fork / Horquilla



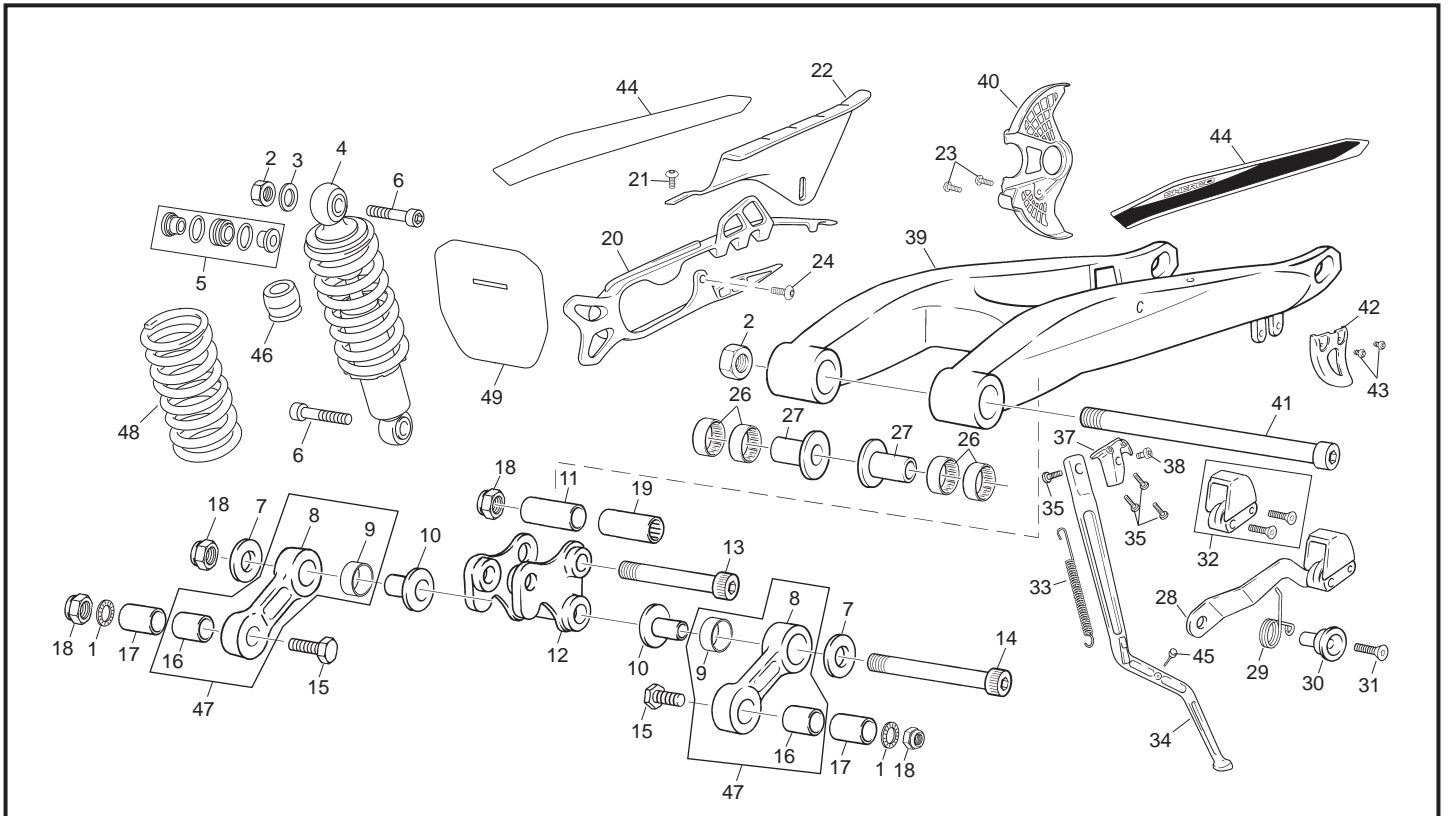
| POS. | 1.2 | 2.5 | 2.9 | FRANÇAIS | ENGLISH | ESPAÑOL |
|------|------|------|------|----------------------------------------|---------------------------------------|---------------------------------------|
| 1 | 2281 | 2281 | 2281 | GRUPE JAMBES MICRO CROME CPL TRIAL '10 | GROUP SWEEP MICRO CROME CPL TRIAL '10 | GRUPO BARRAS MIC. CROMO CPL TRIAL '10 |
| 2 | 3110 | 3110 | 3110 | JAMBE GAUCHE FOURCHE 2010 | FORK LEFT LEG 2010 | BOTELLA IZQUIERDA HORQUILLA 2010 |
| 3 | 3532 | 3532 | 3532 | BOUCHON DROITE | FORK CAP RIGTH | TAPÓN DERECHO |
| 4 | 3533 | 3533 | 3533 | BOUCHON GAUCHE | FORK LEFT | TAPÓN IZQUIERDO |
| 5 | 3112 | 3112 | 3112 | TUBE FOURCHE GAUCHE 2010 | LEFT FORK TUBE 2010 | BARRA HORQUILLA IZQUIERDA 2010 |
| 6 | R134 | R134 | R134 | ENTRETOISE DU | SPACER | CASQUILLO DU |
| 7 | R070 | R070 | R070 | JOINT SPIE DE FOURCHE | FORK OIL SEAL | RETÉN |
| 8 | R113 | R113 | R113 | CIRCLIP JOINT SPIE | CIRCLIP OIL SEAL | CIRCLIP RETÉN |
| 9 | R096 | R096 | R096 | PARE POUSSIERE FOURCHE | DUST SEAL | GUARDAPOLVO |
| 10 | 1397 | 1397 | 1397 | GRUPE T DE FOURCHE INFERIEUR | BOTTOM PLATE BLACK | PLATINA INF. NEGRA |
| 11 | R223 | R223 | R223 | CONE | CONE | CONO |
| 12 | R131 | R131 | R131 | RONDELLE APUIE | WASHER FORK | ARANDELA APOYO |
| 13 | R224 | R224 | R224 | VIS CHC 10X30 FOURCHE | BOLT M10X30 | TORNILLO M10X30 D.912 |
| 14 | R133 | R133 | R133 | DU JAMBE 2000 | SPACER | CASQUILLO DU BOTELLA |
| 15 | 1170 | 1170 | 1170 | RONDELLE ECROU AXE DIRECTION | RING NUT | TUERCA DIRECCIÓN |
| 16 | 1398 | 1398 | 1398 | FOURCHE SUPERIEUR NOIRE | UPPER PLATE BLACK | PLATINA SUPERIOR NEGRA |
| 17 | R108 | R108 | R108 | ECROU SUPERIEUR | NUT | TUERCA SUPERIOR |
| 18 | 1237 | 1237 | 1237 | VIS CHC M8X35 | BOLT M8X35 | TORN. ALLEN M8X35 D.912 |
| 19 | 1395 | 1395 | 1395 | BRIDE GUIDON SUPERIEURE 07 | TOP BAR U-CLAMP 07 BLACK | BRIDA SUPERIOR MANILLAR 07 NEGRA |
| 20 | R226 | R226 | R226 | RONDELLE 10X17X1,5 FURCHE 2001 | WASHER 10X17X1,5 | ARANDELA 10X17X1.5 |
| 21 | R227 | R227 | R227 | ANEAU ELASTIQUE | NUT | ANILLO ELÁSTICO |
| 22 | 1063 | 1063 | 1063 | RESSORT FOURCHE | SPRING | MUELLE |
| 23 | R111 | R111 | R111 | ENTRETOISE RESSORT FOURCHE | TOP BUSHING | TOPE MUELLE |
| 24 | R071 | R071 | R071 | GRUPE GARNITURE FOURCHE COMP. | FORK BUSHING AND SEAL KIT | KIT REPARACIÓN RETÉN |
| 25 | R132 | R132 | R132 | ENTRETOISE DU | SPACER | SEPARADOR DU |
| 26 | 3111 | 3111 | 3111 | JAMBE DROITE FOURCHE 2010 | FORK RIGHT LEG 2010 | BOTELLA DERECHA HORQUILLA 2010 |
| 27 | R228 | R228 | R228 | VALVE DE COMPRESSION | PLASTIC COMPRESSION VALVE | VÁLVULA DE COMPR. |
| 28 | R135 | R135 | R135 | RONDELLE APPUI RESSORT 2000 | SPRING COLLAR | APOYO MUELLE |
| 29 | M261 | M261 | M261 | VIS CHC 8X20 | SCREW CHC 8X20 | TORNILLO 8X20 ALLEN |
| 30 | R230 | R230 | R230 | TORIQUE FOURCHE | ORING | TÓRICA CIERRE |
| 31 | 3113 | 3113 | 3113 | TUBE FOURCHE DROITE 2010 | RIGHT FORK TUBE 2010 | BARRA HORQUILLA DERECHA 2010 |
| 32 | 3173 | 3173 | 3173 | ADHESIF FOURCHE TR 11 -JEU- | STICKERS FORK TR 11 -SET- | ADHESIVO HORQUILLA TR 11 -JGO- |
| 33 | 1589 | 1589 | 1589 | ADHESIF LOGO CERIANI | CERIANI LOGO STICKER | ADHESIVO LOGO CERIANI |
| 34 | 1055 | 1055 | 1055 | GRUPE POMPE | GROUP POMP | GRUPO BOMBA |

Fourche / Fork / Horquilla



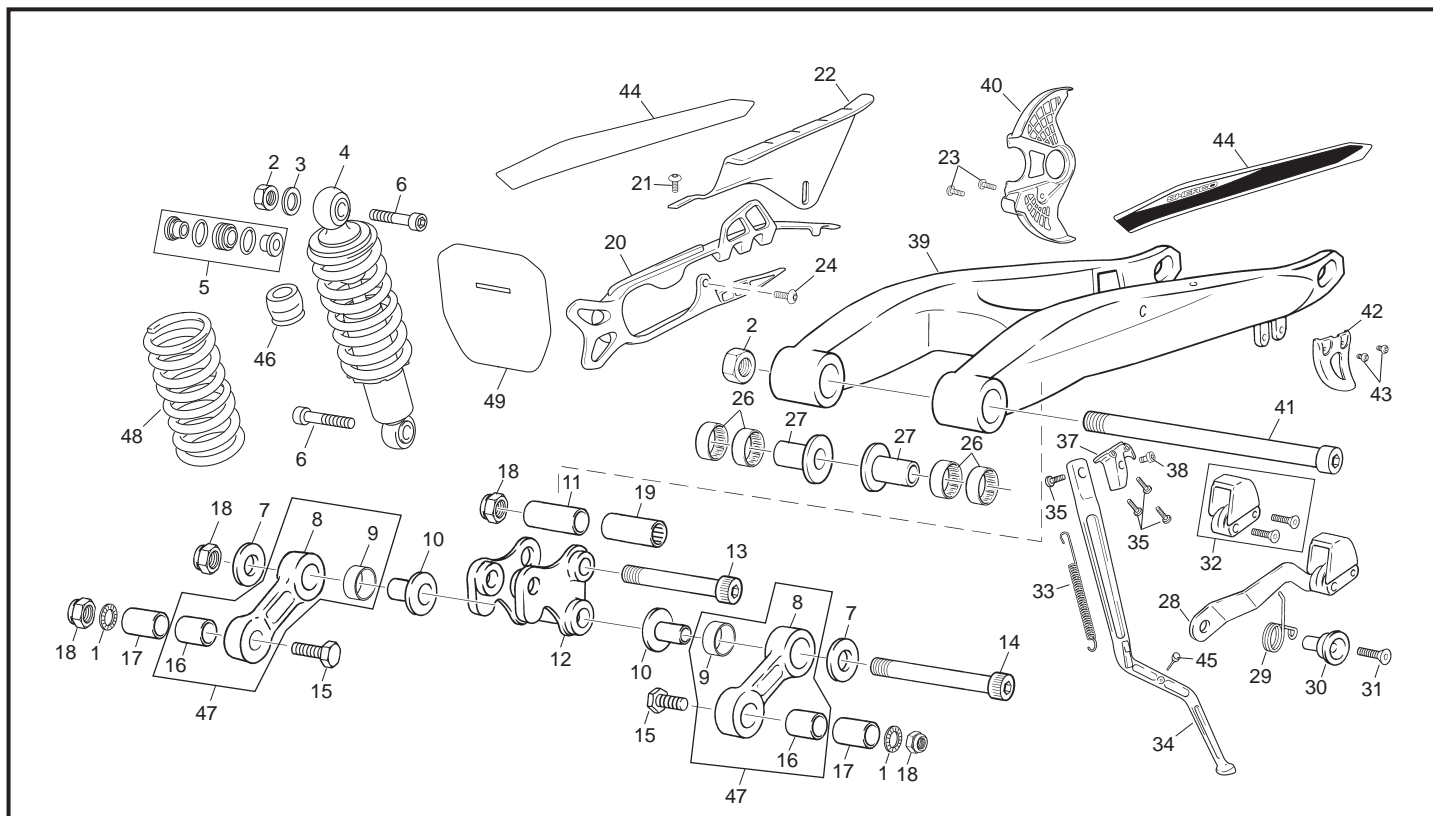
| POS. | 1.2 | 2.5 | 2.9 | FRANÇAIS | ENGLISH | ESPAÑOL |
|------|------|------|------|--------------------------------|---------------------------------|--------------------------------|
| 35 | 1059 | 2359 | 1059 | GRUPE CARTOUCHE | PLUNGER ASSEMBLY | CONJ. BOMBEO |
| 36 | R224 | R224 | R224 | VIS CHC 10X30 PARE DISC PAIOLI | SCREW CHC 10X30 WITH HOLE | TORNILLO 10X30 ROSCA INTERIOR |
| 37 | 1396 | 1396 | 1396 | BRIDE INFERIEUR TRIAL 07 NOIRE | U-CLAMP INF. HANDE BAR TRIAL 07 | BRIDA INFE. TRIAL 07 NEGRA |
| 38 | 1166 | C453 | 1166 | AXE ALUMINIUM | ANS ALUMINIUM | EJE ALUMINIO |
| 39 | 2359 | 2359 | 2359 | GUIDE DURITE FREIN AV 2010 | GUIDE FRONT BRAKE HOSE 2010 | GUIA LATIGUILLO FRENO DEL 2010 |
| 40 | M258 | 1166 | M258 | VIS BHC 5 X 16 1093 | SCREW BHC 5 X 16 | TORNILLO 5 X 16 ULS |
| 41 | 0547 | 0547 | 0547 | VIS TH EP 6 X 30 | SCREW TH EP 6 X 30 | TORNILLO TH EP 6 X 30 |

Amortisseur - Bras oscillant / Rear Shock - Swingarm / Amortiguador - Basculante



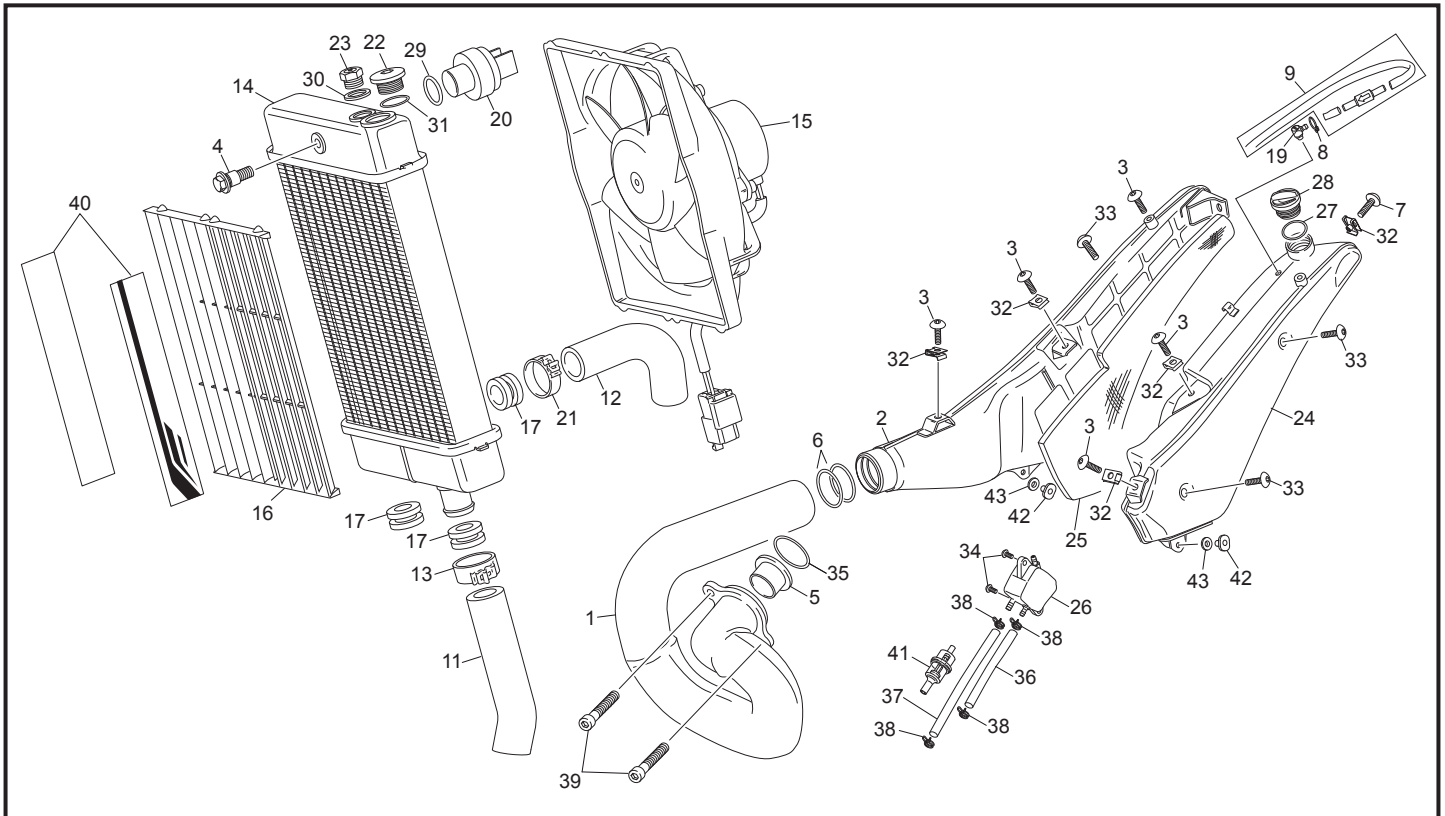
| POS. | 1.2 | 2.5 | 2.9 | FRANÇAIS | ENGLISH | ESPAÑOL |
|------|------|------|------|-------------------------------------|-------------------------------------|---------------------------------|
| 1 | 1432 | 1432 | 1432 | RONDILLE AET 8 | WASHER AET 8 | ARANDELA AET 8 |
| 2 | M310 | M310 | M310 | ECROU NYLSTOP M10 | NUT NYLSTOP M10 | TUERCA NYLSTOP M10 |
| 3 | M315 | M315 | M315 | RONDILLE X 10 1405 010 | WASHER X 10 | ARANDELA X 10 DIN 125 A |
| 4 | 2829 | 2829 | 2829 | AMORTISSEUR TRIAL 2010 | REAR SHORK TRIAL 2010 | AMORTIGUADOR TRIAL 2010 |
| 5 | 1685 | 1685 | 1685 | KIT ROTULE AMORTISSEUR 08 | SHOCK ROTULE KIT 08 | KIT ROTULA AMORTIGUADOR 08 |
| 6 | C173 | C173 | C173 | AXE 10 X 42 | PIN10 X 42 | EJE 10 X 42 |
| 7 | M320 | M320 | M320 | RONDILLE 10 X 30 X 2.5 0416 | WASHER 10 X 30 X 2.5 | ARANDELA 10 X 30 X2,5 DIN 9021 |
| 8 | C157 | C157 | C157 | BIELETTE TIRANT SIMPLE | REAR SUSPENSION LINK | BIELETA SUSPENSIÓN |
| 9 | 2945 | 2945 | 2945 | DOUILLE FRICTION 16X18X15 | BEARING FUCTION 16X18X15 | COJINETE FRICTION 16X18X15 |
| 10 | C171 | C171 | C171 | ENTRETOISE ARTICULATION BRAS | SPACER SWING ARM | CASQUILLO EJE BASCULANTE |
| 11 | C152 | C152 | C152 | ENTRETOISE SUSPENSION | SPACER SUSPENSION | CASQUILLO SUSPENSIÓN |
| 12 | 2930 | 2930 | 2930 | BIELETTE DELTA TRIAL 2010 | REAR SUSPENS. DELTA LINK TRIAL 2010 | TRAPECIO SUSPENSIÓN TRIAL 2010 |
| 13 | C174 | C174 | C174 | AXE 10 X 72 | PIN 10 X 72 | EJE 10 X 72 |
| 14 | C172 | C172 | C172 | AXE 10 X 1250 | PIN 10 X 120 | EJE 10 X 120 |
| 15 | C175 | C175 | C175 | VIS HEXA TETE BASSE | SPECIAL HEAD SCREW HEX | TORNILLO HEX C/REBAJADA |
| 16 | 2946 | 2946 | 2946 | DOUILLE FRICTION 14X16X15 | BEARING FUCTION 14X16X15 | COJINETE FRICTION 14X16X15 |
| 17 | C170 | C170 | C170 | ENTRETOISE TIRANT | LINK SPACER | CASQUILLO BIELETE |
| 18 | M305 | M305 | M305 | ECROU NYLSTOP M8 0368.8 | NUT NYLSTOP M8 | TUERCA NYLSTOP M8 |
| 19 | C167 | C167 | C167 | DOU. AIGUI. BRAS/ SUSP HK16X20X2RS | BEARING HK 16202RS | CAS. AGUJAS BAS/SUSP HK16202RS |
| 20 | 1207 | 1207 | 1207 | PATIN DE CHAINE | CHAIN GUIDE PLATE | PATÍN CADENA |
| 21 | M258 | M258 | M258 | VIS BHC 5 X16 1093 | SCREW BHC 5X16 | TORNILLO 5X16 ULS |
| 22 | 1208 | 1208 | 1208 | CARTER DE CHAINE | CHAIN PROTECTOR | CUBRECADENAS |
| 23 | M282 | M282 | M282 | VIS BHC 6X10 | SCREW BHC 6X10 | TORNILLO 6X10 ULS |
| 24 | M278 | M278 | M278 | VIS BHC 5X10 | SCREW BHC 5X10 | TORNILLO BHC 5X10 |
| 26 | C151 | C151 | C151 | DOUILLE AIGUILLE BRAS HK 20X20X2 RS | BEARING HK 20X20X2RS | CAS. AGUJAS BASCU. HK 20X20X2RS |
| 27 | C153 | C153 | C153 | ENTRETOISE ARTICULATION BRAS | SPACER SWING ARM | CASQUILLO EJE BASCULANTE |
| 28 | C164 | C164 | C164 | TENDEUR DE CHAINE | CHAIN TENSIONER | TENSOR CADENA |
| 29 | R205 | R205 | R205 | RESSORT TENDEUR DE CHAINE | SPRING CHAIN TENSIONER | MUELLE TENSOR CADENA |
| 30 | R206 | R206 | R206 | ENTRETOISE TENDEUR DE CHAINE | SPECER CHAIN ADJUST | CASQUILLO TENSOR CADENA |
| 31 | M300 | M300 | M300 | VIS FHC 8 X 35 1089 | SCREW FHC 8 X 35 | TORNILLO AVELLANADO M8 X 35 |
| 32 | R047 | R047 | R047 | CAOUTCHOUC TENDEUR SEUL | CHAIN STRETCHER PLATE | GOMA TENSOR CADENA |
| 33 | C161 | C161 | C161 | RESSORT DE BEQUILLE | SIDE STAND SPRING | MUELLE CABALLETE |
| 34 | 1480 | 1480 | 1480 | BEQUILLE SEULE 08 | LATERAL STAND 08 | CABALLETE 08 |
| 35 | M281 | M281 | M281 | VIS BHC 8 X 12 1093 | SCREW BHC 8 X 12 | TORNILLO M8 X 12 ULS |

Amortisseur - Bras oscillant / Rear Shock - Swingarm / Amortiguador - Basculante



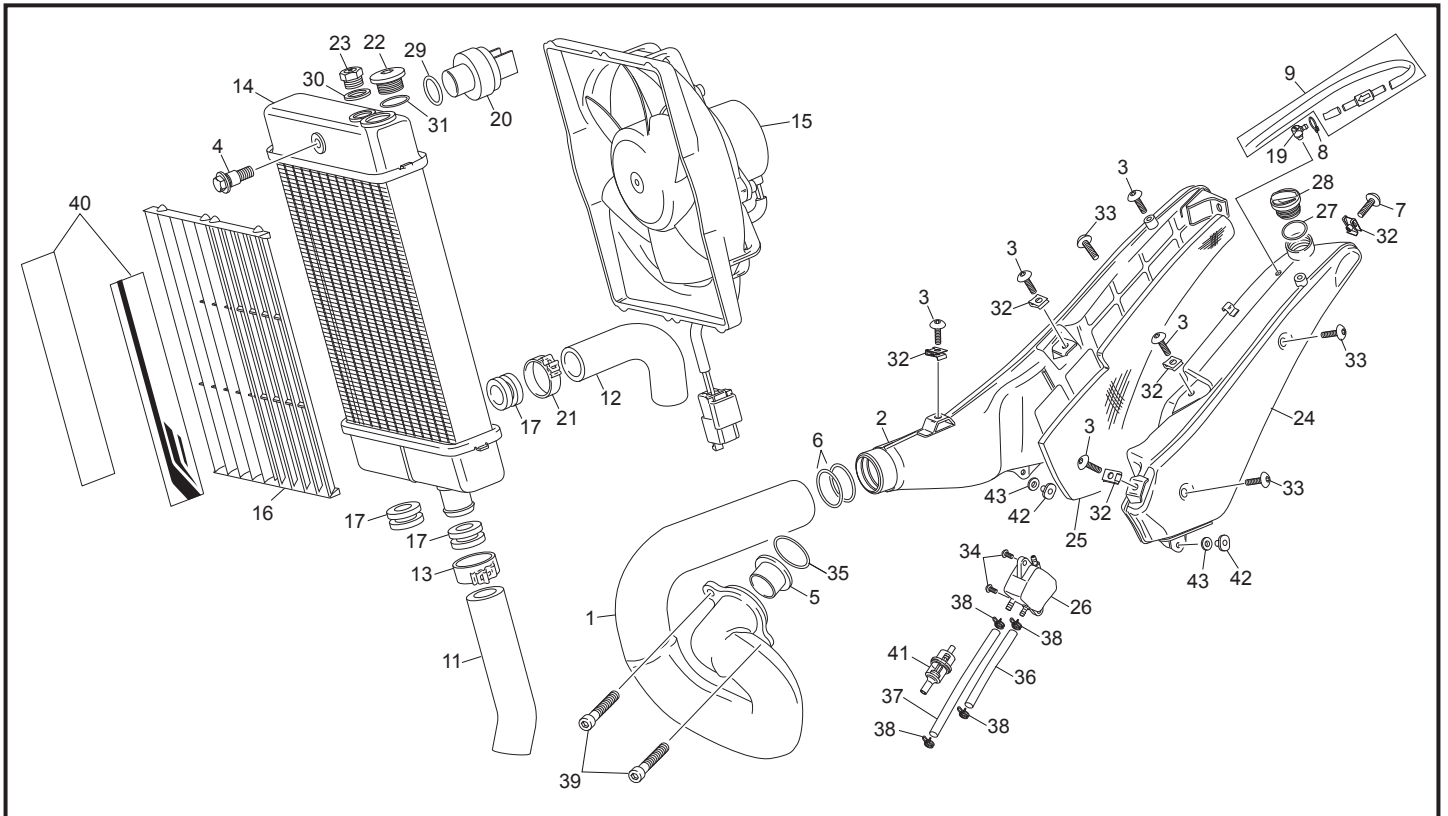
| POS. | 1.2 | 2.5 | 2.9 | FRANÇAIS | ENGLISH | ESPAÑOL |
|------|------|------|------|--------------------------------------|--------------------------------|------------------------------------|
| 37 | 2892 | 2892 | 2892 | SUPPORT DE BEQUILLE ALUMINIUM | ALUMINIUM STAND HOLDER | SOPORTE CABALLETE ALUMINIO |
| 38 | C166 | C166 | C166 | VIS SPECIALE BEQUILLE | SIDE STAND SPECIAL BOLT | TORNILLO ESPECIAL CABALLETE |
| 39 | 1093 | 1093 | 1093 | BRAS OSCILLANT MAT 07 | SWINGARM MAT 07 | BASCULANTE MAT 07 |
| 40 | 2024 | 2024 | 2024 | PROTECTEUR DISC ARRIERE NOIR 09 | BRAKE DISC PROTECTOR BLACK 09 | PROTECTOR DISCO TRAS. NEGRO 09 |
| 41 | C154 | C154 | C154 | AXE BRAS OSCILLANT | ALUMINIUM SWINGARM AXL | EJE BASCULANTE ALUMINIO |
| 42 | 2026 | 2026 | 2026 | PROTECTEUR COURRONE NOIRE 09 | PROTECTEUR SPROKET BLACK 09 | PROTECTOR CORONA NEGRO 09 |
| 43 | M278 | M278 | M278 | VIS BHC 5 X10 1093 | SCREW BHC 5X10 | TORNILLO 5X10 ULS |
| 44 | 3172 | 3172 | 3172 | ADHESIF BRAS TR 11 -JEU. | SWINGARM STICKER TR 11 -SET. | ADHESIVO BASCULANTE TR 11-JGO. |
| 45 | 1663 | 1663 | 1663 | CAOUTCHOUC BEQUILLE | RUBBER STAND | GOMA CABALLETE 08 |
| 46 | 1686 | 1686 | 1686 | BUTEE CAOUTCHOUC AMORTISSEUR | RUBBER REAR SHOCK 08 | GOMA TOPE AMORTIGUADOR 08 |
| 47 | 2947 | 2947 | 2947 | BIELETTE TIRANT EVO AVEC ENTRE. TEF. | REAR SUSPENSION LINK EVO WITHE | BIELETA SUSPENSIÓN CON CAS. TEFLON |
| 48 | 3545 | 3545 | 3545 | RESSORT AMORTISSEUR TR 10 | SPRING SHORK ABSORBER TR 10 | MUELLE AMORTIGUADOR TR 10 |
| 49 | 3425 | 3425 | 3425 | BAVETTE AMORTISSEUR SSDT | SHOCK ABSORBER PROTECTOR SSDT | PROTECTOR AMORTIGUADOR SSDT |

Radiateur / Radiator / Radiador



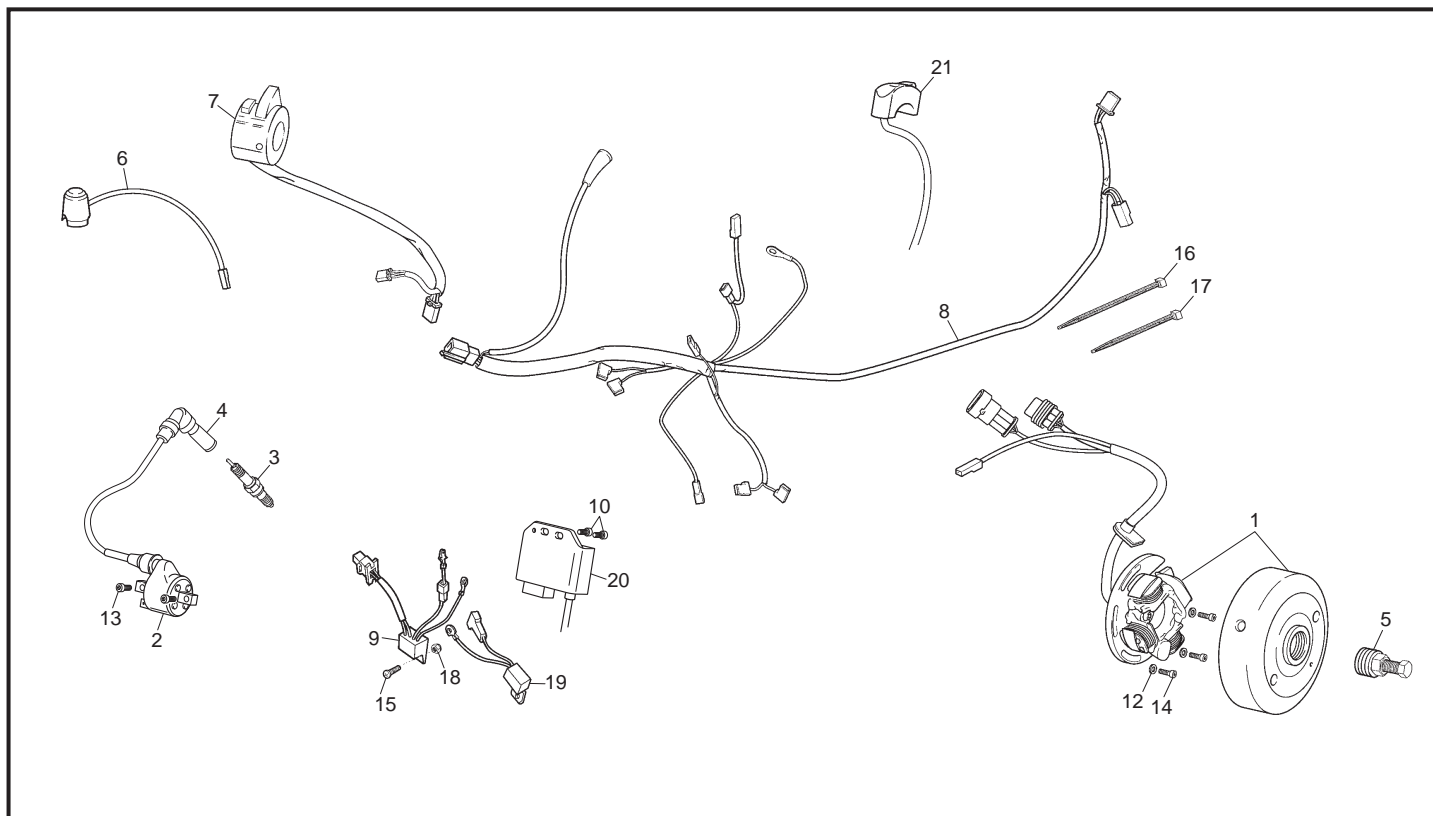
| POS. | 1.2 | 2.5 | 2.9 | FRANÇAIS | ENGLISH | ESPAÑOL |
|------|------|------|------|-------------------------------------|--------------------------------------|-------------------------------------|
| 1 | 3268 | 3268 | 3268 | TUBE ECHAPPEMENT 2.5-2.9 2011 | BASH PLATE 2011 | CURVA DE ESCAPE 2.5- 2.9 2011 |
| 2 | 2259 | 2259 | 2259 | POT CENTRAL ALU 2T 2010 | EXH CENTRAL ALU 2010 | SILENCIOSO CENTRAL ALU 2010 |
| 3 | M345 | M345 | M345 | VIS 6X12 | SCREW 6X12 | TORNILLO 6X12 |
| 4 | 1289 | 1289 | 1289 | VIS | SCREW | TORNILLO |
| 5 | 2834 | ---- | ---- | REDUCTOR ESCAPE 125CC 2010 | REDUCTION EXHAUST 125CC 2010 | REDUCTOR ESCAPE 125CC 2010 |
| 6 | C104 | C104 | C104 | JOINT TORIQUE POT CENT. 44X51X3,50 | EXH. CENTRAL O-RING 44X51X3,50 | TÓRICA SILEN. CENTRAL 44X51X3,50 |
| 7 | M269 | M269 | M269 | VIS BHC 6X20 CARROSSERIE | SCREW BHC 6X20 CARROSSERIE | TORNILLO 6X20 ESPECIAL CARROCERÍA |
| 8 | 2846 | 2846 | 2846 | COLLIER DURITE ESSENCE | COLLARD NORMA 32/50 | ABRAZADERA TUBO GASOLINA |
| 9 | 2365 | 2365 | 2365 | VALVE ANTI RETOUR | ANTI RETURN VALVE | VÁLVULA ANTI RETORNO |
| 11 | 3139 | 3139 | 3139 | DURITE CARTER RADIATEUR TR 11 | RUBBER TUBE CRANKSH./RADIAT. TR 11 | MANGUITO CARTER/RADIADOR TR 11 |
| 12 | 2367 | 2367 | 2367 | DURITE CULASSE RADIATEUR 2010 | RUBBER CILYN. HEARD RADIATOR 2010 | MANGUITO CULATA/RADIADOR 2010 |
| 13 | C029 | C029 | C029 | COLLIER DE DURITE NORMA VERT 21 | HOSE CLAMP | ABRAZADERA 21 VERDE |
| 14 | 3127 | 3127 | 3127 | RADIATEUR 2T 2011 | RADIATOR 2S 2011 | RADIADOR 2T 2011 |
| 15 | 1523 | 1523 | 1523 | VENTILATEUR COMEX 120 | FAN COMEX 120 | VENTILADOR COMEX 120 |
| 16 | C713 | C713 | C713 | GRILLE RADIATEUR | RADIATOR PROTECTOR | RESINA RADIADOR |
| 17 | C118 | C118 | C118 | SILENT-BLOC RADIATEUR | SILENT-BLOC RADIATOR | SILENT-BLOC RADIADOR |
| 19 | 2274 | 2274 | 2274 | RACORD MISE A L'AIR TR 2010 | RACORD AIR INSIDE TR 2010 | RACORD ENTRADA AIRE TR 2010 |
| 20 | 2256 | 2256 | 2256 | THERMOCONTACT 2T 2010 75-68 | THERMOSTAT 2T 2010 75-68 | TERMOCONTACTO 2T 2010 75-68 |
| 21 | C029 | C029 | C029 | COLLIER DE DURITE 21 VERT | HOSE CLAMP 21 GREEN | ABRAZADERA 21 VERDE |
| 22 | 2906 | 2906 | 2906 | BOUCHON RADIATEUR TRIAL 2010 | RADIATOR TAP TRIAL 2010 | TAPÓN RADIADOR TRIAL 2010 |
| 23 | 2269 | 2269 | 2269 | VALVE PRESSION RADIATEUR | PRESSION VALVE RADIATOR | VÁLVULA PRESSION RADIADOR |
| 24 | 3159 | 3159 | 3159 | RESERVOIR TRIAL ALU 11 | PETROL TANK TRIAL ALU 11 | DEPÓSITO TRIAL ALU 11 |
| 25 | 2363 | 2363 | 2363 | PROTEC. TERMIQUE RESERV. TRIAL 2010 | THERMIC PROTEC. SIDE TANK TRIAL 2010 | PROTEC. TÉRMICO DEPÓSITO TRIAL 2010 |
| 26 | 2311 | 2311 | 2311 | POMPE A ESSENCE TRIAL | PETROL PUMP TRIAL | BOMBA DE GASOLINA TRIAL |
| 27 | 2320 | 2320 | 2320 | JOINT BOUCHON ESSENCE TRIAL 2010 | SEAL PETROL CAP TRIAL 2010 | JUNTA TAPÓN GASOLINA TRIAL 2010 |
| 28 | 2270 | 2270 | 2270 | BOUCHON ESSENCE 2010 | PETROL CAP 2010 | TAPÓN GASOLINA 2010 |
| 29 | M651 | M651 | M651 | JOINT TORIQUE THERMOSTAT 2010 | O-RING THERMOSTAT 2010 | TÓRICA TERMOSTATO 2010 |
| 30 | 2860 | 2860 | 2860 | RONDELLE ALU 8X12X1 | WASHER ALU 8X12X1 | ARENDELA ALU. 8X12X1 |
| 31 | M168 | M168 | M168 | TORIQUE BOUCHON RADIATEUR | O-RING RADIATOR CAP | TÓRICA TAPÓN RADIADOR |
| 32 | M308 | M308 | M308 | ECROU CLIP M6 0500500400 | NUT CLIP M6 | TUERCA CLIP M6 |
| 33 | 2937 | 2937 | 2937 | VIS VHC 5X8 | SCREW VHC 5X8 | TORNILLOS ULS 5X8 |
| 34 | M258 | M258 | M258 | VIS BHC 5 X 16 1093 | SCREW BHC 5 X 16 | TORNILLO 5 X 16 ULS |

Radiateur / Radiator / Radiador



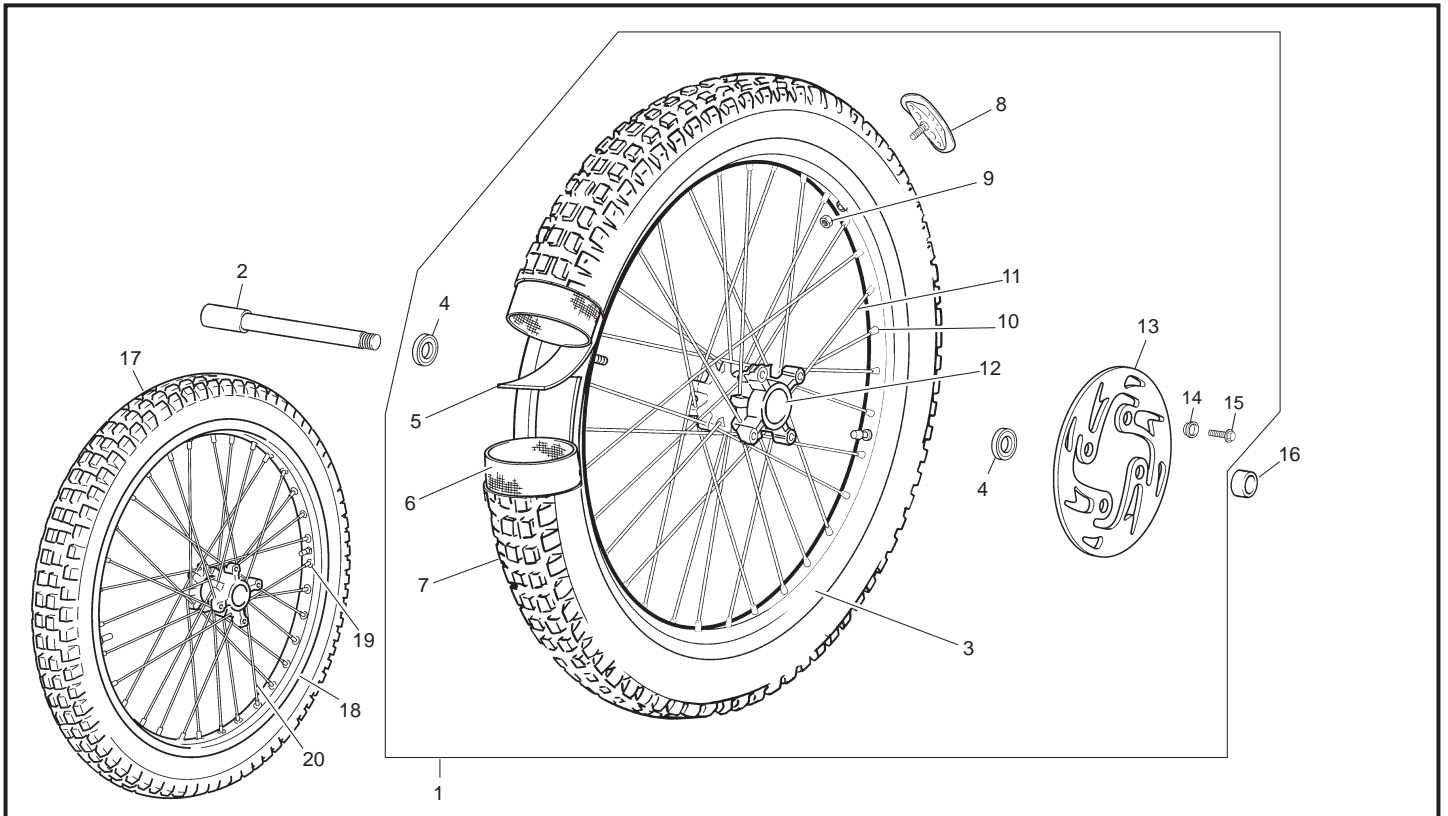
| POS. | 1.2 | 2.5 | 2.9 | FRANÇAIS | ENGLISH | ESPAÑOL |
|------|------|------|------|---------------------------|------------------------------|-------------------------------|
| 35 | C122 | C122 | C122 | JOINT CUIVRE 38X44X2,5 | GASKET 38X44X2,5 | JUNTA COBRE 38X44X2,5 |
| 36 | M012 | M012 | M012 | DURITE ESSENCE PETIT | SMALL PETROL HOSE | TUBO GASOLINA CORTO |
| 37 | M012 | M012 | M012 | DURITE ESSENCE LARGE | LONG PETROL HOSE | TUBO GASOLINA LARGO |
| 38 | 2846 | 2846 | 2846 | COLLIER DURITE ESSENCE | COLLARD PETROL PIPE | ABRAZADERA TUBO GASOLINA |
| 39 | 2937 | 2937 | 2937 | VIS BHC 5X8 | SCREW BHC 5X8 | TORNILLO ULS 5X8 |
| 40 | 3168 | 3168 | 3168 | ADHESIF ST 2.9 TR 11- JEU | ST 2.9 STICKER TR 11 - SET | ADHESIVO ST 2.9 TR 11 - JUEGO |
| 40 | 3169 | 3169 | 3169 | ADHESIF ST 2.5 TR 11- JEU | ST 2.5 STICKER TR 11 - SET | ADHESIVO ST 2.5 TR 11 - JUEGO |
| 40 | 3170 | 3170 | 3170 | ADHESIF ST1.25 TR 11- JEU | ST 1.25 STICKERS TR 11 - SET | ADHESIVO ST1.25 TR 11 - JUEGO |
| 41 | 3185 | 3185 | 3185 | FILTRE A ESSENCE | PETROL FILTER | FILTRO GASOLINA |
| 42 | 3193 | 3193 | 3193 | ENTRETOISE SILENBLOCK | BUSH SILENBLOCK | CASQUILLO SILENBLOCK |
| 43 | 3194 | 3194 | 3194 | CAUTCHOUC SILENBLOCK | SILENBLOCK RUBBER | SILENBOCK CAUCHO |

Faisceau électrique / Electrical system / Instalación eléctrica



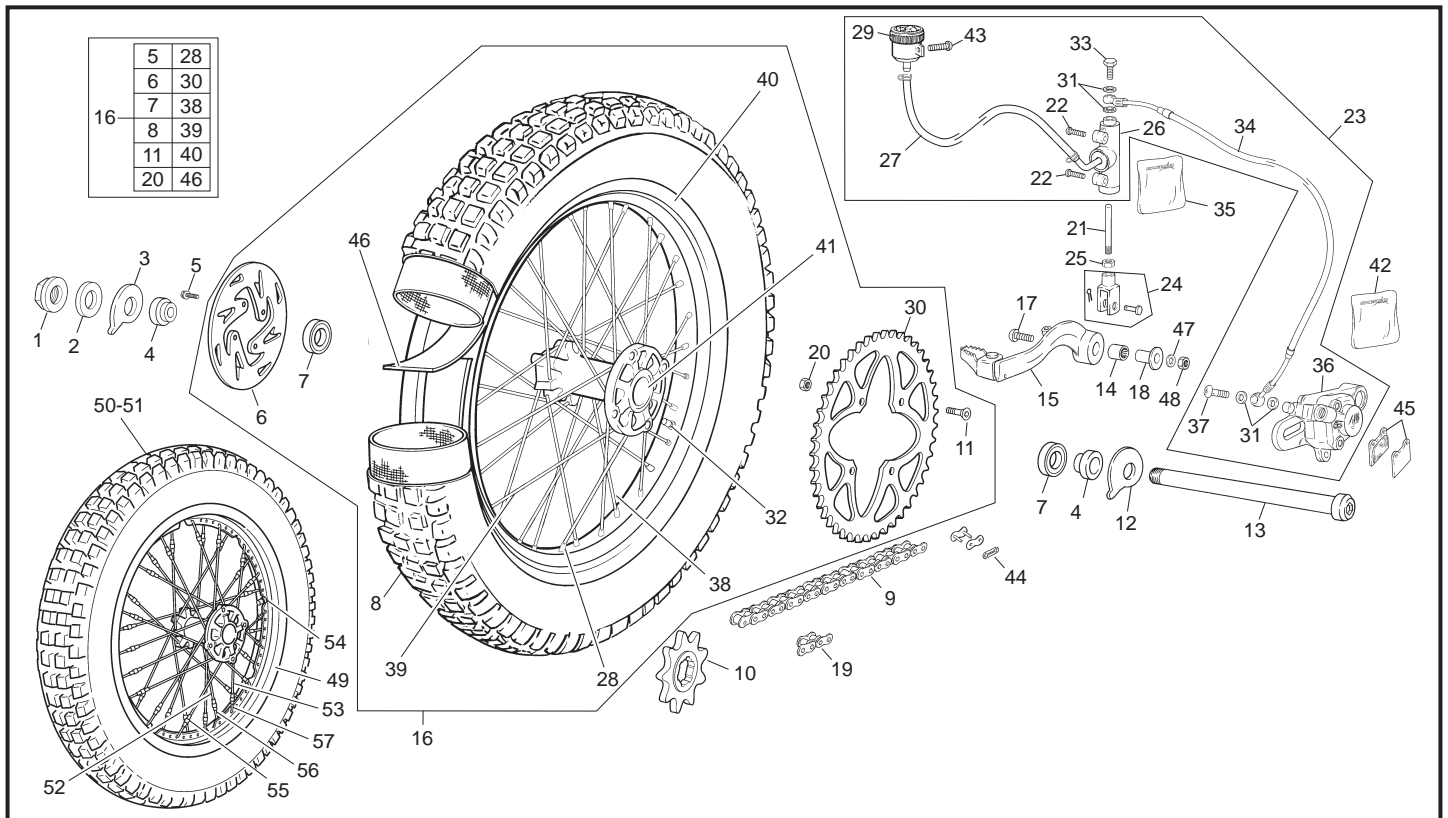
| POS. | 1.2 | 2.5 | 2.9 | FRANÇAIS | ENGLISH | ESPAÑOL |
|------|------|------|------|---------------------------------------|----------------------------------------|------------------------------------------|
| 1 | 2973 | 2817 | 2817 | ALLUMAGE CPL DIGITAL 2010 | IGNITION CPL DIGITAL 2010 | ENCENDIDO CPL DIGITAL 2010 |
| 2 | 2818 | 2818 | 2818 | BOBINE LEONELLI TRIAL 2010 | ELECTRONIC BOX LEONELLI TRIAL 2010 | BOBINA LEONELLI TRIAL 2010 |
| 3 | M183 | M183 | M183 | BOUGIE | SPARK PLUG | BUJÍA |
| 4 | M184 | M184 | M184 | ANTI PARASITE | SPARK PLUG CAP | PIPA BUJÍA |
| 5 | R075 | R075 | R075 | OUTIL EXTRACTEUR ROTOR ALLUMAGE | FLYWHEEL PULLER | EXTRACTOR ENCENDIDO |
| 6 | 2972 | 2972 | 2972 | STOP MOTOR TB D28 | STOP ENGINE TR D28 | STOP MOTOR TR D28 |
| 7 | C038 | C038 | C038 | COMUTATEUR ELECTRIQUE | LIGHT SWITCH ASSEMBLY | CONMUTADOR LUCES |
| 8 | 2820 | 2820 | 2820 | FAISCEAU ELECTR. PRINCIPAL TRIAL 2010 | ELECTRIC CABLE | CABLE ELECTICO |
| 9 | 1681 | 1681 | 1681 | DIODE REDRESSEUS VENT. COMEX | DIODE FAN COMEX | RECTIFICADOR VENT. COMEX |
| 10 | M282 | M282 | M282 | VIS ULS 6X10 | SCREW ULS 6X10 | TORNILLO 6X10 ULS |
| 11 | M275 | M275 | M275 | RONDILLE X5 | WASHER X5 | ARANDELA X5 DIN125 A |
| 12 | M251 | M251 | M251 | VIS 6X16 | SCREW 6X16 | TORNILLO M6X16 |
| 13 | M250 | M250 | M250 | VIS BHC 6X16 | SCREW BHC 6X16 | TORNILLO M6X16 ULS |
| 14 | M306 | M306 | M306 | ECROU NYLSTOP M6 | NUT NYLSTOP M6 | TUERCA NYLSTOP M6 |
| 15 | M330 | M330 | M330 | COLLIER 178X4.8 | ZIP TIE 178 X 4.8 | BRIDA 178X4.8 |
| 16 | M331 | M331 | M331 | COLLIER 100X2.5 | ZIP TIE 80 X 2.5 | BRIDA 100X2.5 |
| 17 | M274 | M274 | M274 | RONDILLE GROSVER X6 DIN 67985 | WASHER 6 DIN 67985 | ARANDELA DENTADA 6 DIN 67985 |
| 18 | M182 | M182 | M182 | REGULATEUR | REGULATOR | REGULADOR |
| 19 | 2819 | 2819 | 2819 | CDI MOT. TRIAL DOUBLE COURBE 2T '10 | CDI BOX ENG. TRIAL DOUBLE CURBA 2T '10 | CDI DIG. REPROG. TRIAL DOB. CURVA 2T '10 |
| 20 | 1380 | 1380 | 1380 | COMUTATEUR SÉLECTION DOUBLE 2T | COMMAND DOUBLE SELECTION 2T | CONMUTADOR SELECCIÓN DOBLE 2T |

Roue avant / Front wheel / Rueda delantera



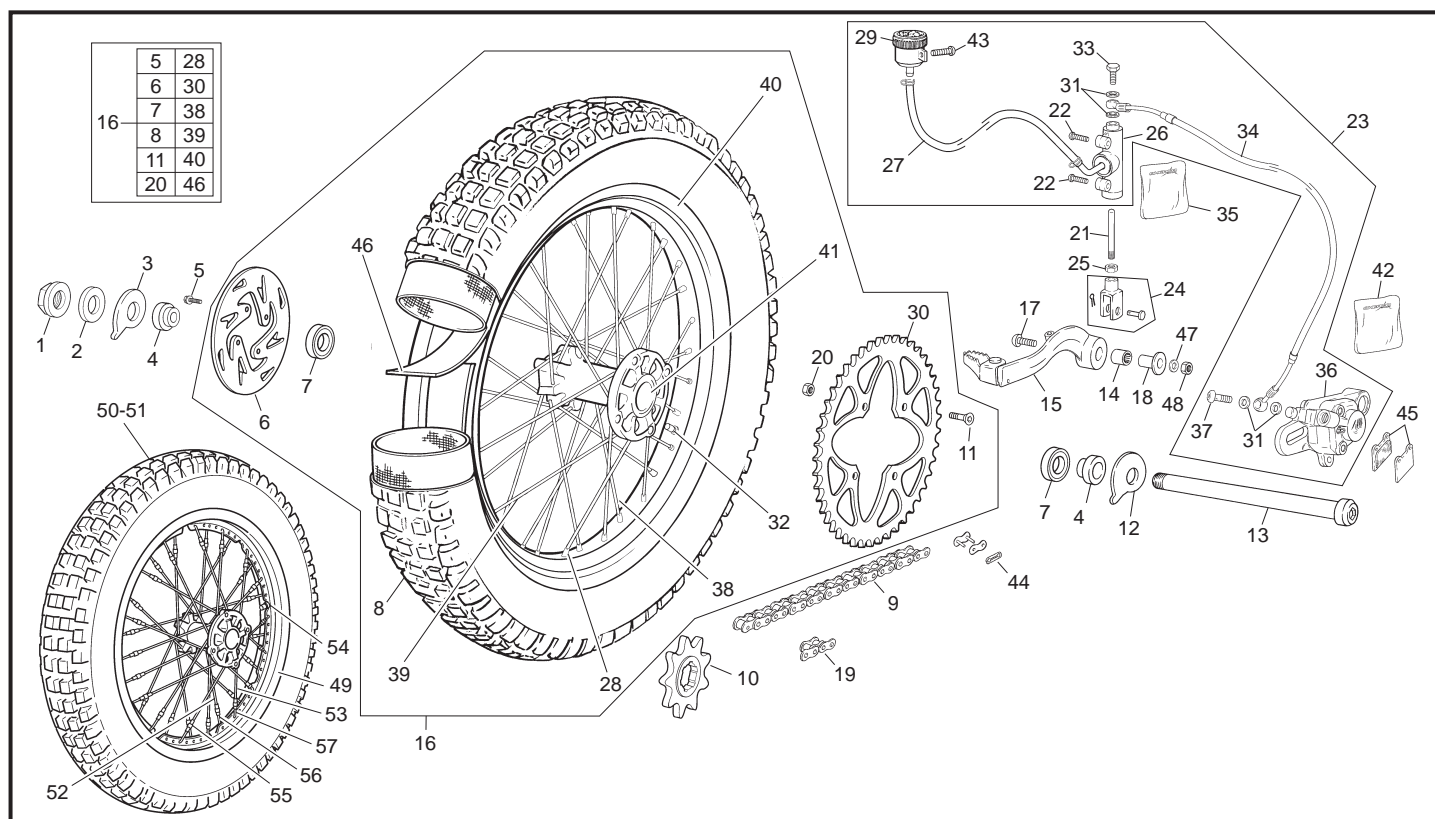
| POS. | 1.2 | 2.5 | 2.9 | FRANÇAIS | ENGLISH | ESPAÑOL |
|------|------|------|------|----------------------------------|-------------------------------|------------------------------------|
| 1 | 2125 | 2125 | 2125 | ROUE AVANT 09 TR. DORADE | FRONT WHEEL 09 TR GOLDEN | RUEDA DELANTERA 09 TR DORADA |
| 2 | C205 | C205 | C205 | AXE DE ROUE AVANT | FRONT WHEEL AXLE | EJE RUEDA DELANTERA |
| 3 | 3208 | 3208 | 3208 | JANTE AVANT 32 RAY OR | FRONT RIM 32 R GOLD | LLANTA DELANTERA 32 R ORO |
| 4 | R049 | R049 | R049 | ROULEMENT DE MOYEU 6004 2RS | BEARING HUB 6004 2RS | RODAMIENTO BUJE 6004 2RS |
| 5 | C201 | C201 | C201 | RUBAN FOND DE JANTE R14025 | RIM RUBBER PROTECTION | GOMA PROTECCIÓN LLANTA |
| 6 | C202 | C202 | C202 | CHAMBRE A AIR 21AB | 21 TUBE | CAMARA 21 |
| 7 | C204 | C204 | C204 | PNEU AVANT 2,75X21 | FRONT TIRE 2,75 X 21 | NEUMÁTICO DELANTERO 2,75 X 21 |
| 8 | C203 | C203 | C203 | GRISTER | TYRE STAY | AGARRACUBIERTAS |
| 9 | M305 | M305 | M305 | ECROU NYLSTOP M8 0368.8 | NUT NYLSTOP M8 | TUERCA NYLSTOP M8 |
| 10 | 3398 | 3398 | 3398 | ECROU DE RAYON AVANT | FRONT NEEPLE SPOCKE | TUERCA RADIO DELANTERO |
| 11 | 2941 | 2941 | 2941 | RAYON NOIR ROUE AV 32 R | BLACK FRONT SPOKE WHEEL 32 R | RADIO NEGRO RUEDA DEL. 32 R |
| 12 | C320 | C320 | C320 | MOYEU AVANT | FRONT HUB | BUJE DELANTERO |
| 13 | 2001 | 2001 | 2001 | DISQUE FREIN AVANT TRIAL 09 | FRONT DISC TRIAL 09 | DISCO DELANTERO TRIAL 09 |
| 14 | C209 | C209 | C209 | ENTRETOISE DISQUE AVANT | SPACER DISC | CASQUILLO FLOTANTE DISCO |
| 15 | C452 | C452 | C452 | VIS HEXAGONAL EPAULE M6 X 18 | SCREW EXAGONAL M6 X 18 | TORNILLO HEXA. M6 X 18 |
| 16 | C333 | C333 | C333 | ENTRETOISE ROUE AVANT | FRONT BRUSH | SEPARADOR EJE RUEDA DELANTERA |
| 17 | 3404 | 3404 | 3404 | ROUE AVANT TR DORADE 011 | FRONT WHEEL TR GOLDEN 011 | RUEDA DELANTERA TR DORADA 011 |
| 18 | 3396 | 3396 | 3396 | JANTE AVANT 1,60X21 32 RAYONS OR | FRONT RIM 1,60X21 32 GOLD | LLANTA DELA. 1,60X21 32 RADIOS ORO |
| 19 | 3398 | 3398 | 3398 | ECROU DE RAYON AVANT M3,5X0,60 | FRONT NEEPLE SPOCKE M3,5X0,60 | TUERCA RADIO DELANTERO M3,5X0,60 |
| 20 | 3397 | 3397 | 3397 | RAYON 257X3 NEW NOIR | SPOCKE 257X3 NEW BLACK | RADIO 257X3 NUEVO NEGRO |

Roue arriere / Rear wheel / Rueda trasera



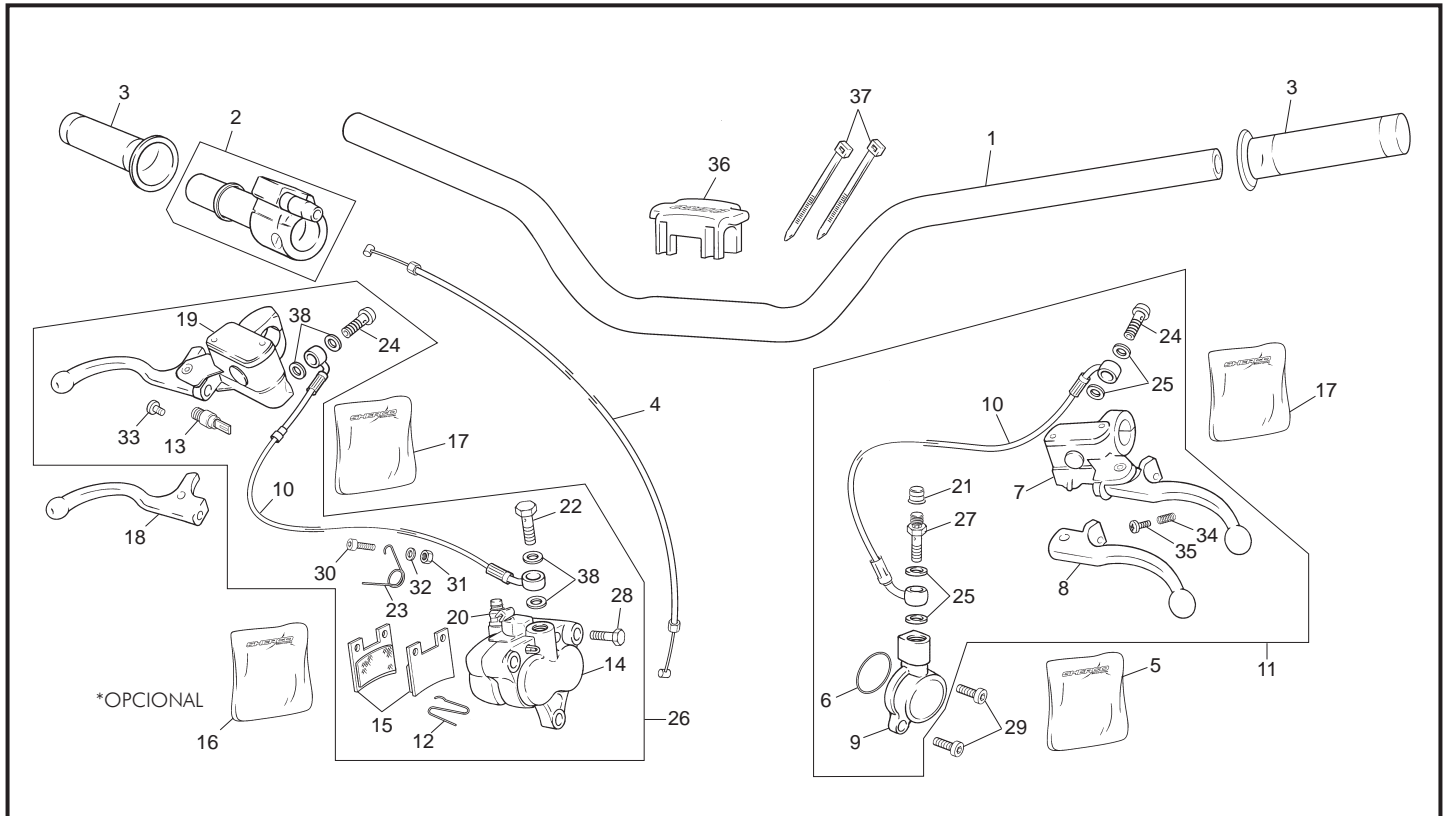
| POS. | 1.2 | 2.5 | 2.9 | FRANÇAIS | ENGLISH | ESPAÑOL |
|------|------|------|------|-----------------------------------|---------------------------------|---------------------------------|
| 1 | C253 | C253 | C253 | ECROU ROUE ARRIERE | REAR AXLE NUT | TUERCA EJE RUEDA TRASERA |
| 2 | M314 | M314 | M314 | RONDILLE X 16 1405 016 | WASHER X 17 | ARANDELA X 17 |
| 3 | C254 | C254 | C254 | EXENTRIQUE DROIT TENDEUR CHAINE | RUNNER CHAIN | EXCÉNTRICA DERECHA |
| 4 | C255 | C255 | C255 | ENTRETOISE ROUE ARRIERE | REAR BRUSH | SEPARADOR RUEDA TRASERA |
| 5 | M249 | M249 | M249 | VIS BHC 8 X 20 | SCREW BHC 8 X 20 | TORNILLO BHC 8 X 20 |
| 6 | 2002 | 2002 | 2002 | DISQUE FREIN ARRIERE WAVE TRIAL | REAR DISC WAVE TRIAL | DISCO FRENO TRASERO WAVE TRIAL |
| 7 | R049 | R049 | R049 | ROULEMENT DE MOYEU 6004 2RS | BEARING HUB 6004 2RS | RODAMIENTO BUJE 6004 2RS |
| 8 | C251 | C251 | C251 | PNEU ARRIERE 400 X 18 | REAR TYRE 400 X 18 | NEUMÁTICO 400 X 18 TUBELESS |
| 9 | 3376 | C265 | C265 | CHAINE | CHAIN | CADENA |
| 10 | M227 | C267 | C267 | PIGNON | SPROCKET | PIÑÓN |
| 11 | M287 | M287 | M287 | VIS BHC 8 X 22 | SCREW BHC 8 X 22 | TORNILLO BHC 8 X 22 |
| 12 | C256 | C256 | C256 | EXENT. GAUCHE TENDEUR CHAINE | LEFT REAR AXLE EXCENTRIC | EXCÉNTRICA IZQUIERDA |
| 13 | C326 | C326 | C326 | AXE ROUE ARRIERE 2002 | AXELE BACK WHEEL 2002 | EJE RUEDA TRAS. 2002 |
| 14 | 2299 | 2299 | 2299 | DOUILLE BRONZE PEDALE FREIN | BEARING | CASQUILLO BRONCE PEDAL FRENO |
| 15 | C327 | C327 | C327 | PEDALE DE FREIN 2002 | REAR BRAKE PEDAL 2002 | PEDAL FRENO TRASERO 2002 |
| 16 | 2130 | 2130 | 2130 | ROUE ARRIERE 09 2.5/2.9 TR DORADE | BACK WHEEL 09 2.5/2.9 TR GOLDED | RUEDA TRAS 09 2.5/2.9 TR DORADA |
| 17 | 2326 | 2326 | 2326 | VIS BHC 8 X 35 | SCREW BHC 8X35 | TORNILLO M8 X 35 ULS |
| 18 | C264 | C264 | C264 | ENTRETOISE PEDALE DE FREIN | SPACER BRAKE PEDAL | CASQUILLO PEDAL DE FRENO |
| 19 | C304 | C304 | C304 | 1/2 MAILLON DE CHAINE | HALF COMPLING CONNECTION | MEDIA MALLA DE CADENA |
| 20 | M305 | M305 | M305 | ECROU NYLSTOP M8 | NUT NYLSTOP M8 | TUERCA NYLSTOP M8 |
| 21 | C261 | C261 | C261 | TIGE FREIN ARRIERE | PIN BRAKE ROD | TIJA PEDAL FRENO TRASERO |
| 22 | M284 | M284 | M284 | VIS BHC 6 X 25 | SCREW BHC 6 X 25 | TORNILLO 6 X 25 |
| 23 | C321 | C321 | C321 | GROUPE FREIN ARRIERE 2002 | REAR BRAKE COMPLETE 2001 | CTO FRENO TRASERO 2001 |
| 24 | C259 | C259 | C259 | CHAPE PEDALE FREIN 0267 | REAR BRAKE ROD | HORQUILLA PEDAL DE FRENO |
| 25 | M309 | M309 | M309 | ECROU STANDARD M6 0317 | NUT M6 | TUERCA M6 |
| 26 | C385 | C385 | C385 | POMPE FREIN AR 9,5 | REAR MASTER CYLINDER 9,5 | BOMBA FRENO TRASERO |
| 27 | R069 | R069 | R069 | TUBE LIQUI. FREIN BOCAL/POMPE | OIL TANK TUBE L 210 | TUBO LIQUIDO FRENO L 210 |
| 28 | R067 | R067 | R067 | ECROU DE RAYON AR | REAR NIPPLE SPOKE | TUERCA RADIOS TRASEROS |
| 29 | R066 | R066 | R066 | BOCAL LIQUIDE FREIN | OIL TANK BRAKE | DEPÓSITO LIQUIDO FRENO |
| 30 | 3341 | C330 | C330 | COURRONE 42D 4 TROUS | REAR SPROCKET 42D 2002 | CORONA 42D 4TROUS 2002 |
| 31 | R074 | R074 | R074 | RONDILLE BANJO | ALUMINIUM SEAL | ARANDELA BANJO |
| 32 | R061 | R061 | R061 | VALVE AR | TUBELESS VALVE | VÁLVULA |
| 33 | R059 | R059 | R059 | VIS RACORD | SCREW PURGE | TAPÓN SANGRADOR |
| 34 | C388 | C388 | C388 | DURITE FREIN ARRIERE | REAR BRAK HOSE | LATIGUILLO FRENO TRASERO |

Roue arriere / Rear wheel / Rueda trasera



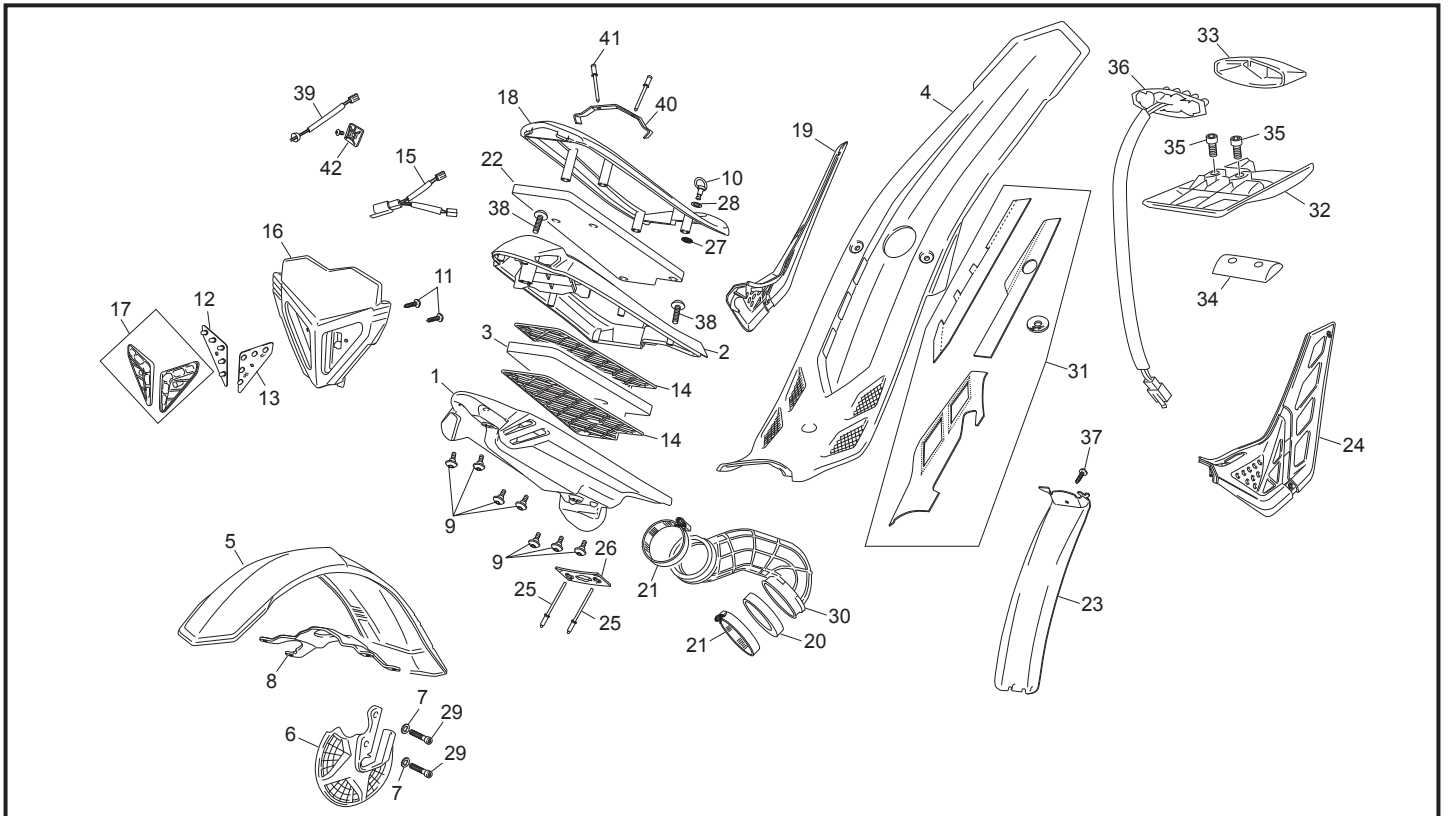
| POS. | 1.2 | 2.5 | 2.9 | FRANÇAIS | ENGLISH | ESPAÑOL |
|------|------|------|------|-------------------------------------|-------------------------------------|-------------------------------------|
| 35 | R233 | R233 | R233 | KIT REPARATION POMPE FREIN AR 2005 | KIT BACK CALIPER 2005 | KIT REPARACIÓN PINZA FRENO TR 2005 |
| 36 | C386 | C386 | C386 | ETRIER FREIN ARRIERE 2005 | REAR CALIPER 2005 | PINZA FRENO TRASERO 2005 |
| 37 | R044 | R044 | R044 | VIS RACCORD M10 X 21 | LINK SCREW M10 X 21 | TORNILLO RACORD M10 X 21 |
| 38 | 2942 | 2942 | 2942 | RAYON NOIR ROUE ARR 32 R DISQUE | BLACK REAR SPOKE WHEEL 32 R DISC | RADIO NEGRO RUEDA TRAS. 32 R DISCO |
| 39 | 2943 | 2943 | 2943 | RAYON NOIR ROUE ARR 32 R COURONE | BLACK REAR SPOKE WHEEL 32 R SPROKET | RADIO NEGRO RUEDA TRAS. 32 R PLATO |
| 40 | 3209 | 3209 | 3209 | JANTE ARRIERE 32 RAYONS OR | REAR RIM 32 R GOLD | LLANTA TRASERA 32 R ORO |
| 41 | C323 | C323 | C323 | MOYEU ARRIERE | REAR HUB | BUJE TRASERO |
| 42 | R235 | R235 | R235 | KIT ETRIER ARRIERE | KIT CALIPER BACK | KIT PINZA FRENO TR |
| 43 | M282 | M282 | M282 | VIS BHC 6 X 10 1093 | SCREW BHC 6 X 10 | TORNILLO 6 X 10 ULS |
| 44 | R034 | R034 | R034 | ATTACHE RAPIDE DE CHAINE | CONNECTING LINK | ENGANCHE CADENA |
| 45 | C390 | C390 | C390 | PLAQUETTES FREIN ARRIERE PAIRE | REAR PAD BRAKE PAIR | JUEGO PASTILLAS TRASERO |
| 46 | R005 | R005 | R005 | FLAP DE ROUE ARRIERE | STRIP | FLAP |
| 47 | M316 | M316 | M316 | RONDELLE 8 DIN | WASHER 8 DIN | ARANDELA 8 DIN |
| 48 | M305 | M305 | M305 | ECROU NYLSTOP M8 | NUT NYLSTOP M8 | TUERCA NYLSTOP M8 |
| 49 | 3390 | 3390 | 3390 | JANTE ARRIERE OR NERVURE 32 RAYON | REAR RIM GOLD NERVE 32 R | LLANTA TRASERA ORO NERVADA 32 R |
| 50 | 3406 | 3406 | 3406 | ROUE ARRIERE 125 TR DORADE NER | BLACK WHEEL 125 TR GOLED NER | RUEDA TRAS. 125 TR DORADA NER |
| 51 | 3405 | 3405 | 3405 | ROUE ARRIERE 2.5/2.9 TR DORADE NER | BLACK WHEEL 2.5/2.9 TR GOLED NER | RUEDA TRAS. 2.5/2.9 TR DORADA NER |
| 52 | 3391 | 3391 | 3391 | RAYON DEMIE 165X3,5 NOIR COTE DIS. | HALF SPOCKE 165X3,5 BLACK SIDE B. | RADIO SEMI 165X3,5 L. DISCO NEG. |
| 53 | 3393 | 3393 | 3393 | RAYON DEMIE 175X3,5 COTE COUR. N. | HALF SPOCKE 175X3,5 BLACK SIDE TRA. | RADIO SEMI 175X3,5 L. CORONA NEG. |
| 54 | 3631 | 3631 | 3631 | VALVE AR JANTE NER | TUBLESS VALVE RIM NER | VALVULA LLANTA NERVIO |
| 55 | 3395 | 3395 | 3395 | TENDEUR RAYON AR | REAR NIPPLE SPOKE | TENSOR RADIO TRASERO |
| 56 | 3392 | 3392 | 3392 | RAYON L MINI 34,5X3,5 COTE DIS. NE. | MINI SPOCKE 34,5X3,5 SIDE BRAKE | RADIO L MINI 34,5X3,5 L. DISCO NEG. |
| 57 | 3394 | 3394 | 3394 | RAY. L MINI 35,5X3,5 COTE COUR. N. | MINI SPOCKE 35,5X3,5 SIDE BRAKE | RADIO L MINI 35,5X3,5 L. CORONA NE. |

Guidon / Handlebar / Manillar



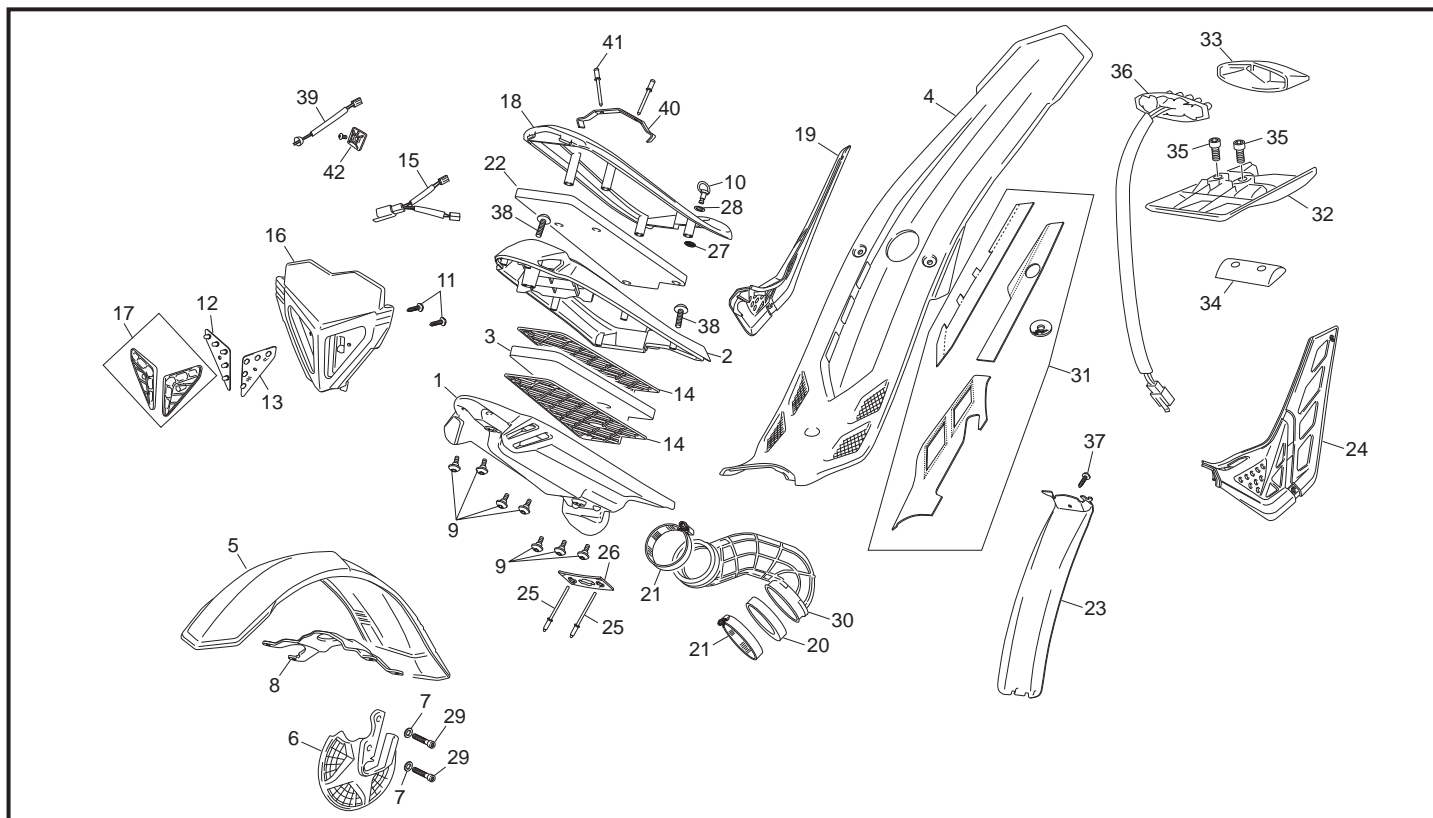
| POS. | 1.2 | 2.5 | 2.9 | FRANÇAIS | ENGLISH | ESPAÑOL |
|------|------|------|------|-------------------------------|--------------------------------------|----------------------------------|
| 1 | 1201 | 1201 | 1201 | GUIDON TRIAL NOIR | HANDLEBAR TRIAL BLACK | MANILLAR TRIAL NEGRO |
| 2 | C074 | C074 | C074 | COMMANDE DE GAZ | THROTTLE CONTROL | MANDO DE GAS |
| 3 | 1662 | 1662 | 1662 | POIGNEE CAOUTCHOUC PAIRE | GRIPS SET | JUEGO EMPUÑADURAS |
| 4 | C076 | C076 | C076 | CABLE DE GAZ | THROTTLE CABLE | CABLE DE GAS |
| 5 | R023 | R023 | R023 | KIT REP. EMBRAYAGE | CLUTCH SLAVE CYLINDER REPAIR KIT | KIT REPARACIÓN EMBRAGUE |
| 6 | R024 | R024 | R024 | TORIQUE EMBRAYAGE | CLUTCH SLAVE CYLINDER O-RING | TÓRICA EMBRAGUE |
| 7 | R030 | R030 | R030 | POMPE EMB. CPL | CLUTCH MASTER CYLINDER ASSEMBLY | CONJUNTO BOMBA EMBRAGUE |
| 8 | R441 | R441 | R441 | LEJIER EMB SEUL | CLUTCH LEVER | MANETA EMBRAGUE |
| 9 | 3210 | 3210 | 3210 | RECEPTEUR EMB CPL WI | RECEPTEUR CLUTCH CPL WI | PINZA EMBRAGUE CPL WI |
| 10 | 3211 | 3211 | 3211 | DURITE EMBRAYAGE WI | CLUTCH HOSE WI | LATIGUILLO EMBRAGUE WI |
| 11 | 3157 | 3157 | 3157 | GROUPE CPL EMB TR 11 | COMPLETE CLUTCH SET TR 11 | GRUPO EMBRAGUE COMPLETO TR 11 |
| 12 | R042 | R042 | R042 | CLIP PLAQUETTES | CALIPER SPRING CLIP | CLIP PASTILLAS |
| 13 | R207 | R207 | R207 | CONTACTEUR FREIN AVANT | BRAKE LIGHT SWITCH | INTERRUPTOR FRENO DELANTERO |
| 14 | C387 | C387 | C387 | ETRIER FREIN AVANT | FRONT CALIPER ASSY | PINZA FRENO DELANTERO |
| 15 | C389 | C389 | C389 | PLAQUETTES FREIN PAIRE | PAD BRAKE | JUEGO PASTILLAS FRENO |
| 16 | R234 | R234 | R234 | KIT REPARATION ETRIER | FRONT BRAKE CALIPER REPAIR KIT | KIT REPARACIÓN PINZA |
| 17 | R053 | R053 | R053 | KIT REPARATION POMPE FREIN | FRONT BR. MASTER CYLINDER REPAIR KIT | KIT REPARACIÓN BOMBA DELANTERO |
| 18 | R440 | R440 | R440 | LEVIER FREIN AVANT SEUL | FRONT BR. LEVER | MANETA FRENO |
| 19 | R056 | R056 | R056 | POMPE FREIN AV CPL | FRONT BR. MASTER CYLINDER ASSEMB. | BOMBA FRENO DELANTERO |
| 20 | R057 | R057 | R057 | PURGEUR ETIER AVANT | BLEED SCREW | SANGRADOR DELANTERO |
| 21 | R058 | R058 | R058 | CAPUCHON VIS DE PURGE | BLEED SCREW COVER | TAPÓN SANGRADOR |
| 22 | R059 | R059 | R059 | VIS RACCORD M10 x 21 | FRONT CALIPER BANJO BOLT | TORNILLO RACORD M10X21 |
| 23 | R043 | R043 | R043 | GUIDE ETRIER | WIRE GUIDE LOOP | GANCHO LATIGUILLO |
| 24 | R044 | R044 | R044 | VIS BANJO | BANJO BOLT | TORNILLO RACORD ULS |
| 25 | 3213 | 3213 | 3213 | RONDELLE BANJO M8 | ALUMINIUM SEAL M8 | ARANDELLA BANJO M8 |
| 26 | C318 | C318 | C318 | GROUPE FREIN AVANT CPL | FRONT BRAKE HYDRAULIC ASSEMBLY | GRUPO FRENO DEL COMPLETO |
| 27 | 3214 | 3214 | 3214 | RACCORD M8 AVEC PURGEUR | RACCORD M8 W PURGE | RACORD M8 CON PURGADOR |
| 28 | R236 | R236 | R236 | AXE ETRIER FREIN AV D. PISTON | PIN FRONT CALIPER DL.PISTON | EJE PINZA FRENO DEL DOBLE PISTÓN |
| 29 | M252 | M252 | M252 | VIS CHC 6X20 | SCREW CHC 6X20 | TORNILLO M6X20 DIN 912 |
| 30 | M283 | M283 | M283 | VIS BHC 6X16 | SCREW BHC 6X16 | TORNILLO M6X16 ULS |
| 31 | M306 | M306 | M306 | ECROU NYLSTOP M6 | NUT NYLSTOP M6 | TUERCA NYLSTOP M6 |
| 32 | M317 | M317 | M317 | RONDELLE X6 | WASHER X6 | ARANDELA X6 DIN 125 B |
| 33 | R366 | R366 | R366 | RACORD | BUSHING FRONT BRAKE LIGHT SWITCH | SOPORTE INTERIOR FRENO |
| 34 | R367 | R367 | R367 | RESSORT | SPRING | MUELLE MANETA EMBRAGUE |
| 35 | R368 | R368 | R368 | VIS REGULATION | SCREW | TORN. TENSOR MANETA EMBRAGUE |
| 36 | 1227 | 1227 | 1227 | MOUSSE GUIDON TRIAL 07 | FOAM HANDLEBAR 07 | ESPUMA MANILLAR TRIAL 07 |
| 37 | 1246 | 1246 | 1246 | BRIDAS MUUSE | ZIP TIE | BRIDAS |
| 38 | R074 | R074 | R074 | RONDELLE BANJO 10X14X1.5 | WASHER COPPER 10X14X1.5 | ARANDELLA BANJO COBRE 10X14X1.5 |

Plastiques / Plastics / Plásticos

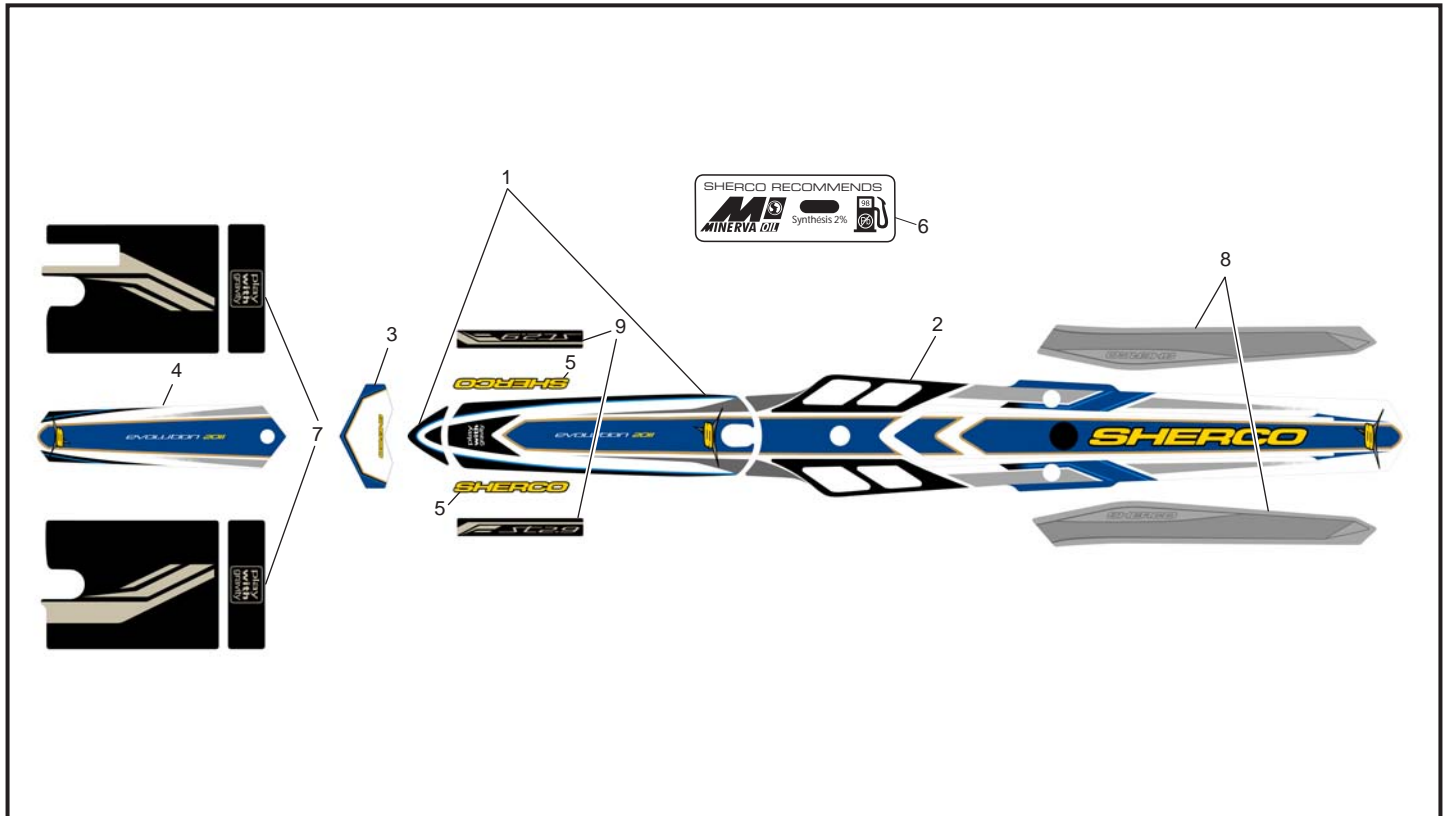


| POS. | 1.2 | 2.5 | 2.9 | FRANÇAIS | ENGLISH | ESPAÑOL |
|------|------|------|------|--------------------------------------|-----------------------------------|-------------------------------------|
| 1 | 2264 | 2264 | 2264 | CORPS FILTRE INF 2010 | BODY FILTER INF 2010 | CUERPO FILTRO INF 2010 |
| 2 | 2265 | 2265 | 2265 | CORPS FILTRE SUP 2010 | BODY FILTER 2010 | CUERPO FILTRO 2010 |
| 3 | 2255 | 2255 | 2255 | MOUSSE DE FILTRE 2010 | FOAM FILTER 2010 | ESPUMA DE FILTRO 2010 |
| 4 | 3160 | 3160 | 3160 | PARE BOUE ARRIERE TR 11 | REAR MUDGUARD TR 11 | GUARDABARRO TRASERO TR 11 |
| 5 | 3161 | 3161 | 3161 | PARE BOUE AVANT BLANC TR 11 | FRONT MUDGUARD WHITE TR 11 | GUARDABARRO DEL. BLANCO TR 11 |
| 6 | 2034 | 2034 | 2034 | PARE DISQUE AV. NOIR 09 TR | DISC COVER FRONT BLACK 09 TR | PROTECTOR DISCO DEL. NEGRO 09 TR |
| 7 | C031 | C031 | C031 | ENTRETOISE PARE DISQUE 08 | SPACER DISC COVER 08 | SEPARADOR CUBREDISCOS DEL. 08 |
| 8 | 2253 | 2253 | 2253 | ARCEAU FOURCHE 2010 | F/MUDGUARD HOLDER 2010 | PUNTE SUSPENSION 2010 |
| 9 | 2262 | 2262 | 2262 | VIS SPECIAL PLASTIQUE | PLASTIC SPECIAL SCREW | TORNILLO ESPECIAL PLASTICO |
| 10 | 2267 | 2267 | 2267 | DZUS DE FILTRE 2010 | FILTER DZUS 2010 | DZUS DE FILTRO 2010 |
| 11 | M335 | M335 | M335 | VIS TOLE 3.9 X 16 | SCREW TOLE 3.9 X 16 | TORNILLO TOLE 3.9 X 16 |
| 12 | 2360 | 2360 | 2360 | LED AVANT DROITE 2010 | FRONT RIGHT BULB 2010 | LED DELANTERO DERECHO 2010 |
| 13 | 2361 | 2361 | 2361 | LED AVANT GAUCHE 2010 | FRONT LEFT BULB 2010 | LED DELANTERO IZQUIERDO 2010 |
| 14 | 2263 | 2263 | 2263 | GRILLE FILTRE 2010 | FILTER PROTECTOR 2010 | REJILLA FILTRO 2010 |
| 15 | 3163 | 3163 | 3163 | PLAQUE PHARE NOIR TR 11 | PLASTIC LIGHT COVERT BLACK TR 11 | PLACA FARO NEGRA TR 11 |
| 16 | 3163 | 3163 | 3163 | PLAQUE PHARE 2010 TRIAL | PLASTICLIGHT COVERT 2010 TRIAL | PLACA FARO 2010 TRIAL |
| 17 | 2358 | 2358 | 2358 | OPTIQUE DOUBLE 2010 | DOUBLE FRONT LIGHT 2010 | OPTICA DOBLE 2010 |
| 18 | 3162 | 3162 | 3162 | COUVERCLE FILTRE NOIR TR 11 | AIR FILTER BOX COVER BLACK TR 11 | TAPA FILTRO NEGRA TR 11 |
| 19 | 2257 | 2257 | 2257 | GRILLE PROTECT. ECHAPEMENT 2010 | PROTECTOR EXHAUST COVER 2010 | REJILLA PROTECTOR ESCAPE 2010 |
| 20 | 2369 | 2369 | ---- | ADAPTATEUR CARBU DELLORTO | ADAPTER PIPE DELLORTO | ADAPTATOR CARBURADOR DELLORTO |
| 21 | 0595 | 0595 | 0595 | COLLIER KC060 MANCHON | COLLAR KC060 HOSE | BRIDA TOBERA |
| 22 | 2835 | 2835 | 2835 | MOUSSE SILENCI. COUVERC. FILTRE 2010 | SILENCER FOAM FILTER 2010 | ESPUMA SILENCIANTE TAPA FILTRO 2010 |
| 23 | 2364 | 2364 | 2364 | BAVETTE AM 2010 | REAR SHOCK COVER 2010 | PROTECTOR AMORTIGUADOR 2010 |
| 24 | 2258 | 2258 | 2258 | GRILLE PROTECTEUR RESERVOIR 2010 | PROTECTOR TANK COVER 2010 | REJILLA PROTECTOR DEPOSITO 2010 |
| 25 | 2268 | 2268 | 2268 | RIVET ZEBRA 2.4 X 9 | RIVET POP DIAM 2.4 X 9 | REMACHE 2.4 X 9 |
| 26 | 2317 | 2317 | 2317 | PLAQUE DZUS TRIAL | PLAQUE DZUS TRIAL | PLAQUE DZUS TRIAL |
| 27 | 2318 | 2318 | 2318 | RONDELLE VEROUILLAGE DZUS TRIAL | WASHER RETENTION DZUS TRIAL | ARANDELLA RETENCION DZUS TRIAL |
| 28 | 2319 | 2319 | 2319 | RONDELLE PLASTIQUE DZUS TRIAL | WASHER PLASTIQUE DZUS TRIAL | ARENDELA PLASTICO DZUS TRIAL |
| 29 | M267 | M267 | M267 | VIS CHC 4X16 | SCREW VIS CHC 4X16 | TORNILLO M4X16 DIN 912 |
| 30 | 3177 | 3177 | 3177 | RACCORD FILTRE CARBU 2T TR 11 | MANIFOLD FILTER/CARBU 2T TR 11 | TOBERA FILTRO CARBU 2T TR 11 |
| 31 | 2275 | 2275 | 2275 | ADESIF THERMIQUE GB AR 2010 JEU | THERMIC STECKER MUDGUARD 2010 SET | PROT. TERMICO GUARDABAR. '10 JUEGO |
| 32 | 2048 | 2048 | 2048 | SUPPORT FEU ARRIERE TR 09 | FIXATION REAR LIGHT TR 09 | SOPORTE LUZ TRASERO TR 09 |
| 33 | 2049 | 2049 | 2049 | FEU ARRIERE TR 09 | REAR LIGHT TR 09 | LUZ TRASERA TR 09 |
| 34 | 2047 | 2047 | 2047 | FIXATION SUPPORT MATRICULE TR 09 | FIXATION MATRICULATION SUPPORT | SUJECIÓN SOPORTE MATRÍCULA TR 09 |
| 35 | 2052 | 2052 | 2052 | VIS BHL 5X20 | SCREW BHL 5X20 | TORNILLO 5X20 ULS |
| 36 | 2035 | 2035 | 2035 | LED ARRIERE TR 09 | LED BULB TR 09 | LED TRASERO TR 09 |

Plastiques / Plastics / Plásticos

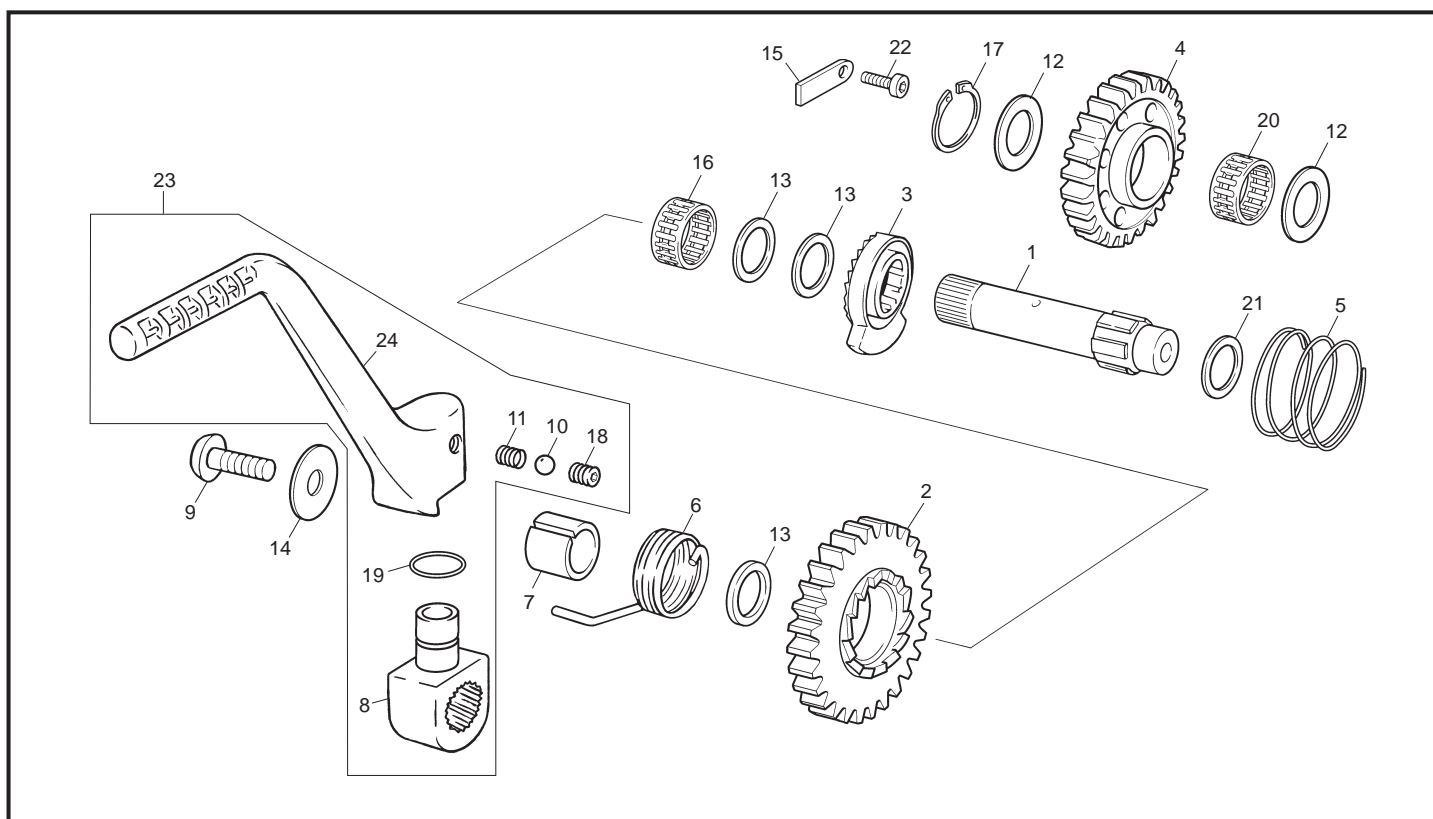


| POS. | 1.2 | 2.5 | 2.9 | FRANÇAIS | ENGLISH | ESPAÑOL |
|------|------|------|------|------------------------------|---------------------------|------------------------------|
| 37 | M345 | M345 | M345 | VIS VHC 6X12 CARROSSERIE | SCREW VHC 6X12 FRAME | TORNILLO VHC 6X12 CARROCERÍA |
| 38 | M283 | M283 | M283 | VIS BHC 6X16 | SCREW BHC 6X16 | TORNILLO BHC 6X16 |
| 39 | 2921 | 2921 | 2921 | INTERRUPTEUR OPTIQUE | LIGHT SWITCH | INTERRUPTOR OPTICA |
| 40 | 3270 | 3270 | 3270 | RESSORT CAPOT FILTRE TR 11 | AIRBOX COVER SPRING TR 11 | MUELLE TAPA FILTRO TR 11 |
| 41 | 3273 | 3273 | 3273 | RIVET 4 X 12 TETE FRESE | RIVET 4 X 12 | REMACHE 4 X 12 AVELLANADO |
| 42 | 3202 | 3202 | 3202 | FIXATION INTERRUPTOR LUMIERE | STRAP FIX INT | LAPA FIJACIÓN INTERRUPTOR |



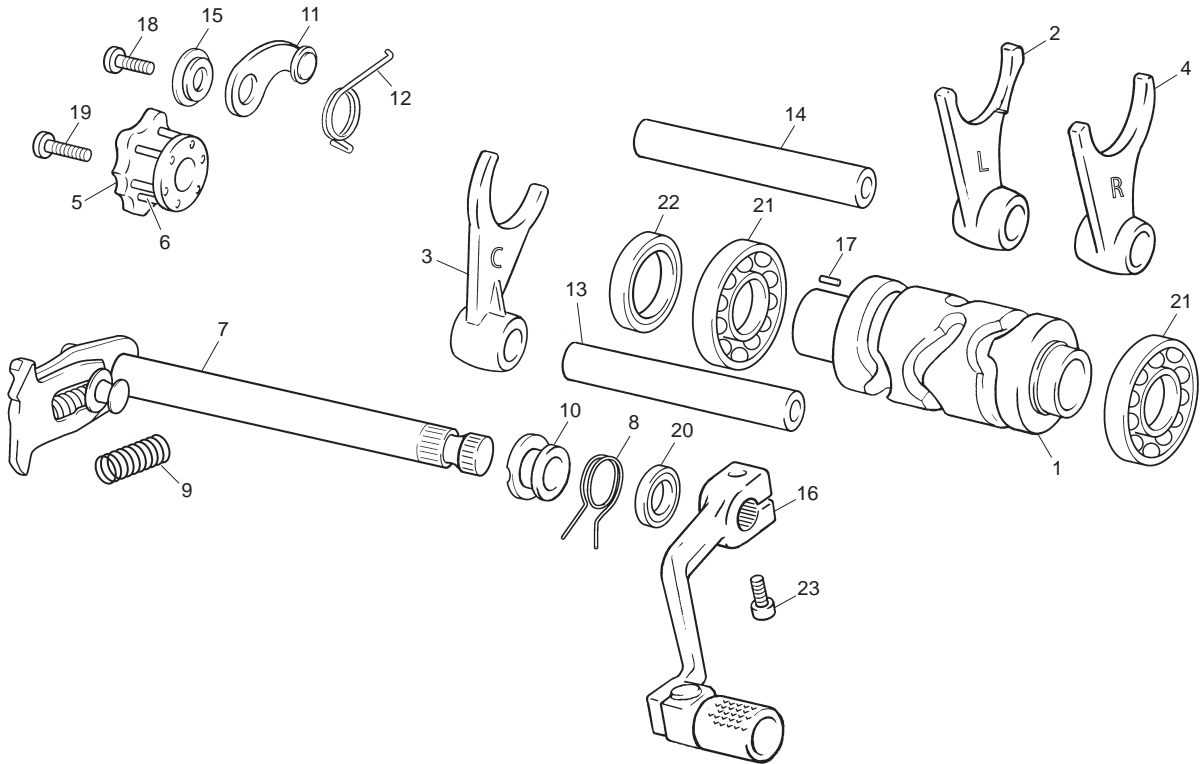
| POS. | 1.2 | 2.5 | 2.9 | FRANÇAIS | ENGLISH | ESPAÑOL |
|------|------|------|------|--------------------------------------|---------------------------------|---------------------------------------|
| 1 | 3164 | 3164 | 3164 | ADHESIF CAPOT BOITE FILTRE JEU TR 11 | AIR BOX COVER STICKER KIT TR 11 | ADHESIVO TAPA CAJA FILTRO JUEGO TR 11 |
| 2 | 3167 | 3167 | 3167 | ADHESIF GB AR TR 11 | MUDGUARD BACK STICKER TR 11 | ADHESIVO GB TRAS TR 11 |
| 3 | 3166 | 3166 | 3166 | ADHESIF PLAQUE PHARE TR 11 | FRONT LIGHT STICKER TR 11 | ADHESIVO PLACA FARO TR 11 |
| 4 | 3165 | 3165 | 3165 | ADHESIF GB AV TR 11 | MUDGUARD FRONT STICKER TR 11 | ADHESIVO GB DEL TR 11 |
| 5 | 2848 | 2848 | 2848 | ADHESIF SHERCO RESINE FILTRE | STICKER SHERCO RESINE AIR BOX | ADHESIVO SHERCO GOTA CAJA FILTRO |
| 6 | C393 | C393 | C393 | ADESIF MINERVA S/PLOMB 98 | PETROL MINERVA STICKER 98 | ADHESIVO MINERVA S/PLOMO 98 |
| 7 | 3173 | 3173 | 3173 | ADHESIF FOURCHE TR 11 | STICKERS FORK TR 11 | ADHESIVO HORQUILLA TR 11 |
| 8 | 3172 | 3172 | 3172 | ADHESIF BRAS TR 11 | SWINGARM STICKER TR 11 | ADHESIVO BASCULANTE TR 11 |
| 9 | 3170 | 3169 | 3168 | ADHESIF ST | ST STICKER | ADHESIVO ST |

Lanceur / Kickstarter assembly / Pedal arranque



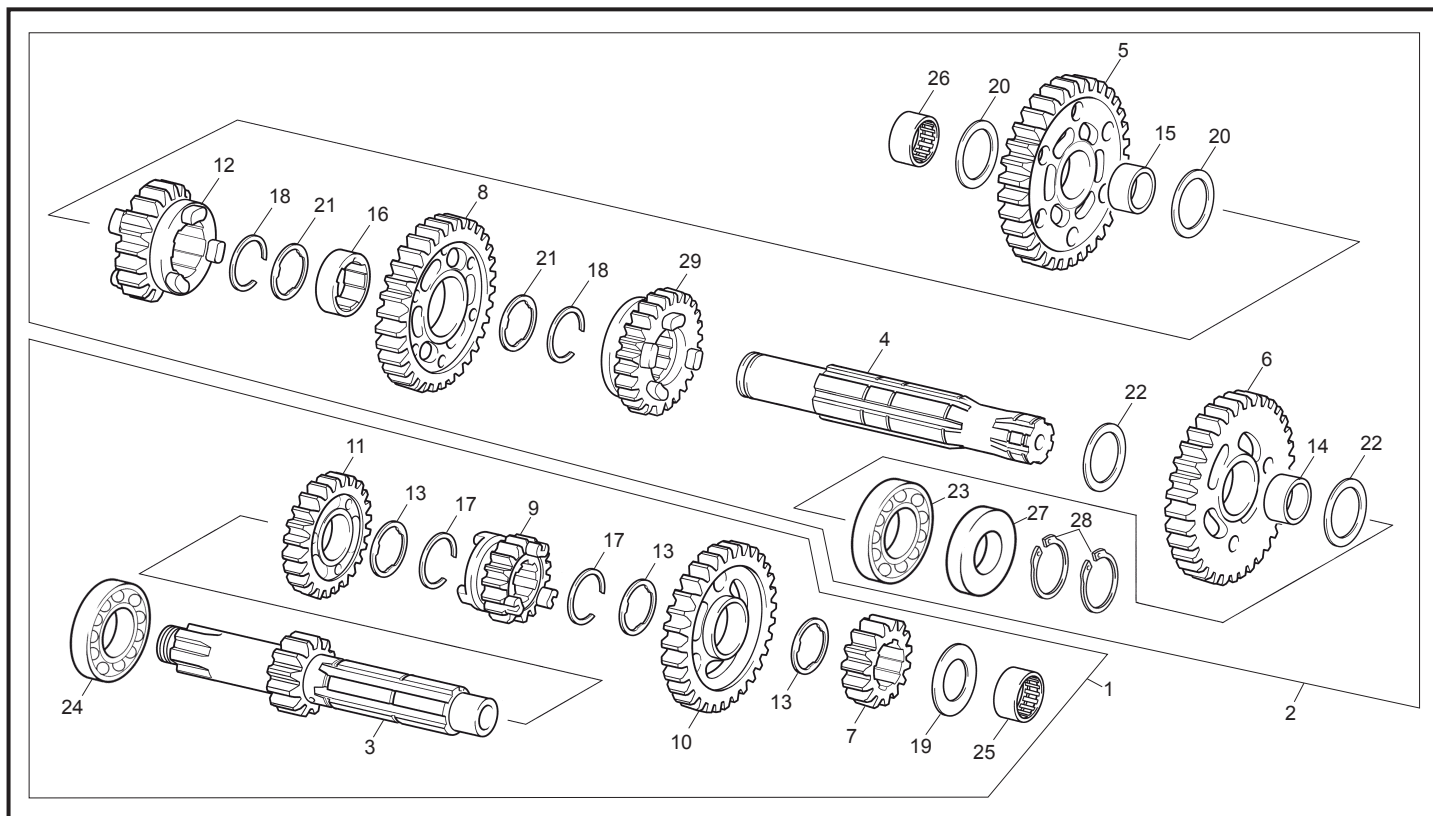
| POS. | 1.2 | 2.5 | 2.9 | FRANÇAIS | ENGLISH | ESPAÑOL |
|------|------|------|------|--------------------------------|--------------------------------|-------------------------------|
| 1 | M150 | M150 | M150 | ARBRE LANCEUR | KICKSTARTER SHAFT | EJE ARRANQUE |
| 2 | M151 | M151 | M151 | PIGNON LIBRE DENT DE LOUP | KICKSTARTER PINION | PIÑÓN TRINQUETE |
| 3 | M152 | M152 | M152 | COULISSEAU DENT DE LOUP | KICKSTARTER FREE RACHET | TRINQUETE DESPLAZABLE |
| 4 | M153 | M153 | M153 | ROUE INTERMEDIAIRE | KICKSTARTER IDLE GEAR | RUEDA INTERMEDIA |
| 5 | M155 | M155 | M155 | RESSORT COULISSEAU D DE L | COMPRESSION SPRING | MUELLE TRINQUETE |
| 6 | M156 | M156 | M156 | RESSORT DE RAPPEL | KICKSTARTER SPRING | MUELLE DE RETORNO |
| 7 | M157 | M157 | M157 | DOUILLE CENTRAGE RESSORT | KICKSTARTER SPRING SPACER | CASQUILLO CENTRAJE MUELLE |
| 8 | 3215 | 3215 | 3215 | NOIX DE KICK WI | KICKSTART BOTTOM WI | MUNEQUILLA PEDAL ARRANQUE WI |
| 9 | M280 | M280 | M280 | VIS BHC 8X16 | SCREW BHC 8X16 | TORNILLO M8X16 ULS |
| 10 | M160 | M160 | M160 | BILLE 5.5 | 5.5 BALL | BOLA 5.5 |
| 11 | M161 | M161 | M161 | RESSORT DE POUSSEE BILLE | BALL SPRING | MUELLE PULSADOR BOLA |
| 12 | M163 | M163 | M163 | RONDELLE INA AS 17X30X1 | WASHER INA AS 17X30X1 | ARANDELA INA AS17X30X1 |
| 13 | M164 | M164 | M164 | RONDELLE ARBRE 17X25X1 | WASHER 17X25X1 | ARANDELA EJE ARRANQUE 17X25X1 |
| 14 | M319 | M319 | M319 | RONDELLE 8X18X1.5 | WASHER 8X18X1.5 | ARANDELA 8X18X1.5 CÓNICA DIN |
| 15 | M166 | M166 | M166 | BUTEE COULISSEAU D DE L | KICKSTARTER RACHET STOP | TOPE TRINQUETE DESPLAZABLE |
| 16 | M167 | M167 | M167 | CAGE AIGUILLE PIGNON DENT LOUP | NEEDLE BEARING | JAULA AGUJAS PIÑÓN TRINQUETE |
| 17 | M171 | M171 | M171 | SEGMENT ARRET DIAN 17 | RETAINING RING 17 | SEGER DIÁMETRO 17 |
| 18 | M169 | M169 | M169 | VIS SANS TETE | SET SCREW | PRISIONERO |
| 19 | M168 | M168 | M168 | TORIQUE 14X2 | O-RING 14X2 | TÓRICA 14X2 |
| 20 | M077 | M077 | M077 | DOUILLE AIGUILLE HK1712 B | NEEDLE ROLLER BEARING HK1712 B | JAULA AGUJAS HK1712 B |
| 21 | M165 | M165 | M165 | RONDELLE ARBRE 16X25X1 | WASHER 16X25X1 | ARANDELA EJE ARRANQUE 16X25X1 |
| 22 | M251 | M251 | M251 | VIS CHC 6X16 | SCREW CHC 6X16 | TORNILLO M6X16 DIN 912 |
| 23 | 3212 | 3212 | 3212 | KICK LANCEUR COMPLET | KICK START COMPLET | PEDAL ARRANQUE COMPLETO |
| 24 | 3428 | 3428 | 3428 | KICK LANCEUR SEUL TR 2011 | KICK START LEVER ONLY TR 2011 | PEDAL ARRANQUE SOLO TR 2011 |

Selecteur / Gear selector group / Selector cambio



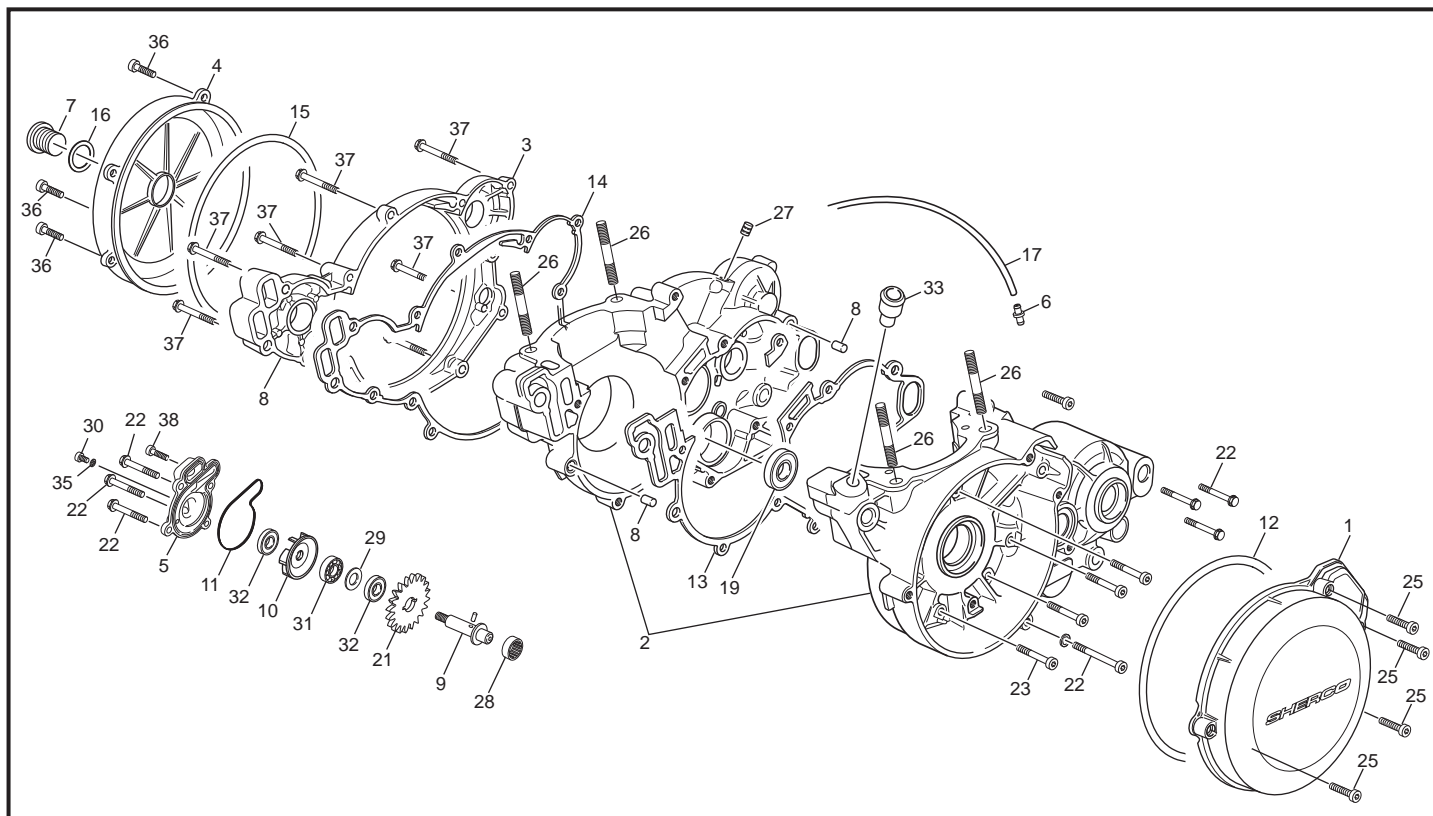
| POS. | 1.2 | 2.5 | 2.9 | FRANÇAIS | ENGLISH | ESPAÑOL |
|------|------|------|------|----------------------------------|----------------------------|----------------------------------|
| 1 | M100 | M100 | M100 | TAMBOUR DE SELECTION | SELECTOR DRUM | DESMODRÓMICO SELECTOR |
| 2 | M102 | M102 | M102 | FOURCHETTE L | L FORK | HORQUILLA L |
| 3 | M103 | M103 | M103 | FOURCHETTE | C FORK | HORQUILLA C |
| 4 | M104 | M104 | M104 | FOURCHETTE R | R FORK | HORQUILLA R |
| 5 | M105 | M105 | M105 | ETOILE DE SELECTION CPL | INDEX SHIM | ESTRELLA SELECTOR |
| 6 | M106 | M106 | M106 | PION ETOILE INA NRA 3X19,8 | SELECTOR DRUM | AGUJA DE SELECTORINA |
| 7 | M107 | M107 | M107 | ARBRE DE SELECTEUR CPL | SHIFT SHAFT WITH PAWL ASSY | ÁRBOL SELECTOR |
| 8 | M110 | M110 | M110 | RESSORT RAPPEL SELECTION | SPRING SHIFT LEVER | MUELLE RETORNO SELECTOR |
| 9 | M111 | M111 | M111 | RESSORT RAPPEL COULISSEAU | PAWL ASSY SPRING | MUELLE RETORNO ESCORPIÓN |
| 10 | M113 | M113 | M113 | DOUILLE CENTRAGE RESSORT RAPPEL | SPACER SPRING SHIFT LEVER | CASQUILLO CENTRAJE MUELLE |
| 11 | M114 | M114 | M114 | LEVER DE VERROUILLAGE CPL | INDEX LEVER ASSY | PALANCA DE CIERRE SELECTOR |
| 12 | M117 | M117 | M117 | RESSORT DE RAPPE LEVIER VERROUIL | INDEX SPRING | MUELLE RETORNO PALANCA DE CIERRE |
| 13 | M118 | M118 | M118 | AX DE FOURCHETTE COURT | FORK SPINDLE | EJE DE HORQUILLA CORTO |
| 14 | M119 | M119 | M119 | AXE DE FOURCHETTE LONG | FORK SPINDLE LONG | EJE DE HORQUILLA LARGO |
| 15 | M121 | M121 | M121 | DOUILLE LEVIER VERROUILLAGE | COLLAR | CASQUILLO PALANCA CIERRE |
| 16 | M127 | M127 | M127 | SECTEUR EXTERIEUR | SHIFT LEVER ASSY | PALANCA DE CAMBIO |
| 17 | M122 | M122 | M122 | PION CLAVETAGE NRA 3X11,8 | NEEDLE PINNRA 3X11,8 | AGUJA DESMO NRA 3X11,8 |
| 18 | M251 | M251 | M251 | VIS CHC 6X16 | SCREW CHC 6X16 | TORNILLO M6X16 DIN 912 |
| 19 | M253 | M253 | M253 | VIS CHC 6X30 | SCREW CHC 6X30 | TORNILLO M6X30 DIN 912 |
| 20 | M126 | M126 | M126 | JOINT 12X19X5 | SEAL | RETÉN SELECTOR 12X19X5 |
| 21 | M123 | M123 | M123 | ROULEMENT A BILLES | BEARING | COJINETE |
| 22 | M124 | M124 | M124 | JOINT | SEAL | RETÉN |
| 23 | M252 | M252 | M252 | VIS CHC 6X20 0084 | SCREW CHC 6X20 | TORNILLO 6X20 DIN 912 |

Boite a vitesses / Gear set / Cambio



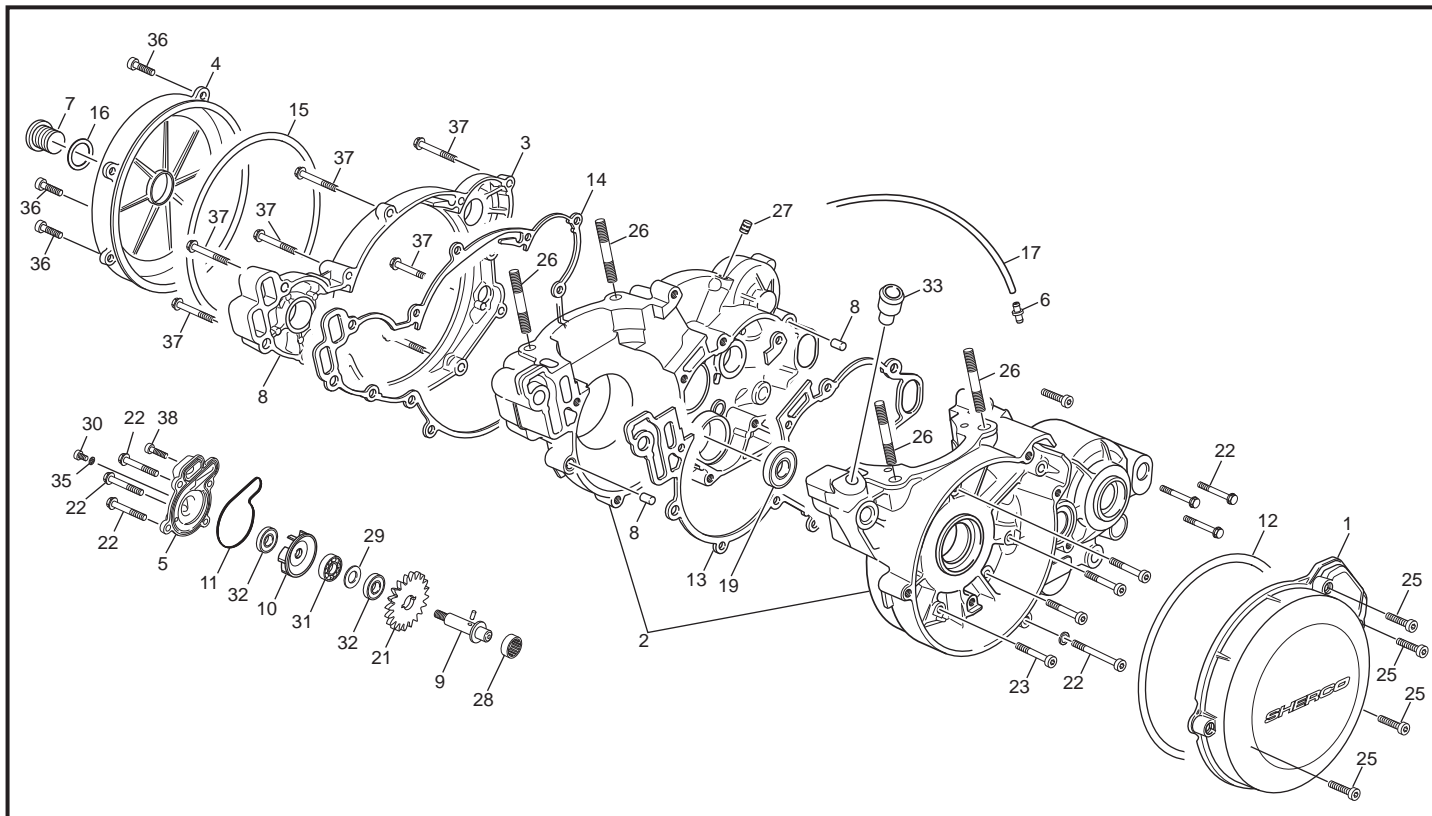
| POS. | 1.2 | 2.5 | 2.9 | FRANÇAIS | ENGLISH | ESPAÑOL |
|------|------|------|------|------------------------------------|---------------------------------|----------------------------------|
| 1 | M390 | M390 | M390 | ENSEMBLE ARBRE PRIMAIRE | GROUP PRIMARY SHAFT WITH PINION | CONJUNTO. EJE PRIM. CAMBIO |
| 2 | M391 | M391 | M391 | ENSEMBLE ARBRE SECONDAIRE | GR. SECONDARY SHAFT WITH PINION | CONJUNTO. EJE SECUN. CAMBIO |
| 3 | M374 | M374 | M374 | ARBRE PRIMAIRE / PIGNON 1ERE EV. 2 | GEAR CLUTCH SHAFT EVOL 2 | EJE PRIMARIO EVOL 2 |
| 4 | M054 | M054 | M054 | ARBRE SECONDAIRE | MAINSHAFT | EJE SECUNDARIO |
| 5 | M367 | M367 | M367 | PIG. SECONDAIRE 1ERE EVOL 2 S/S | PINION SECOND 1ERE EVOL 2 S/S | PIÑÓN SECOND 1ERE EVOL 2 S/S |
| 6 | M056 | M056 | M056 | ROUE LIBRE DE 2EME S/S | FREE PINION 2EME | CORONA DE 2ª S/S |
| 7 | M057 | M057 | M057 | PIGNON FIXE DE 2EME S/P | GEAR PINION 2EME | PIÑÓN DE 2ª S/P |
| 8 | M058 | M058 | M058 | ROUE LIBRE DE 3EME S/S | FREE PINION 3EME | CORONA DE 3ª S/S |
| 9 | M059 | M059 | M059 | PIGNON BALADEUR DE 3EME S/P | GEAR PINION 3EME | PIÑÓN DESPLAZABLE 3ª S/P |
| 10 | M061 | M061 | M061 | ROUE LIBRE DE 5EME S/P | FREE PINION 5EME | CORONA LIBRE DE 5ª S/P |
| 11 | M062 | M062 | M062 | LIBRE DE 4EME S/P | GEAR PINION 4EME | PIÑÓN DE 4ª S/P |
| 12 | M063 | M063 | M063 | ROUE BALADEUSE DE 4EME S/S | FREE PINION 4EME | CORONA DESPLAZABLE DE 4ª S/S |
| 13 | M064 | M064 | M064 | RONDELLE CRENEAUX 20X24X1 | GEAR WASHER | ARANDELA ESTRIADA |
| 14 | M065 | M065 | M065 | DOUILLE ANTI FRICTION 1ERE | BUSHING 1ERE | CASQUILLO ANTI-FRICCIÓN 1ª |
| 15 | M066 | M066 | M066 | DOUILLE ANTI FRICTION 2EME | BUSHING 2EME | CASQUILLO ANTI-FRICCIÓN 2ª |
| 16 | M067 | M067 | M067 | DOUILLE ANTI FRICTION 3EME | BUSHING 3EME | CASQUILLO ANTI-FRICCIÓN 3ª |
| 17 | M068 | M068 | M068 | SEGMENT ARRET WR20 | RETAINING WR 20 | SEGER WR 20 |
| 18 | M069 | M069 | M069 | SEGMENT ARRET WR22 | RETAINING WR 22 | SEGER WR 22 |
| 19 | M070 | M070 | M070 | RON. INA ARBRE PRIMAIRE 27,8X15X1 | THRUST WASHER 28,7X15X1 | ARAN. INA EJE PRIMARIO 27,8X15X1 |
| 20 | M071 | M071 | M071 | RONDELLE 17x27x1 | MAINSHAFT WASHER 17x27x1 | ARANDELA EJE SECUNDARIO |
| 21 | M072 | M072 | M072 | RONDELLE CRENEAU ARBRE | WASHER | ARANDELA ESTRIADA EJE SECUNDARIO |
| 22 | M073 | M073 | M073 | RON. ARBRE SECONDAIRE 20x27x1 | MAINSHAFT WASHER 20x27x1 | ARANDELA EJE SECUNDARIO 20x27x1 |
| 23 | M074 | M074 | M074 | ROULEMENT 20X47X14 | BEARING 20X47X14 | COJINETE 20X47X14 6204 C3 |
| 24 | M075 | M075 | M075 | ROULEMENT 20X47X14 RSR | BEARING 20X47X14RSR | COJINETE 20X47X14 6204 RS |
| 25 | M076 | M076 | M076 | DOUILLE AIGUILLE 15X21X12 | NEEDLE BEARING 15X21X12 | CASQUILLO DE AGUJAS 15X21X12 |
| 26 | M077 | M077 | M077 | DOUILLE AIGUILLE HK1712B | NEEDLE BEARING | CASQUILLO DE AGUJAS HK1712B |
| 27 | M078 | M078 | M078 | DOUBLE LEVRE 20X30X7 | OIL SEAL 20X30X7 JOINT | RETÉN DOBLE LABIO 20X30X7 |
| 28 | M350 | M350 | M350 | ARRET WR20 SORTIE BOITE | SNAP RING WR20 | SEGMENT ARRET WR20 |
| 29 | M060 | M060 | M060 | PIGNON LIBRE DE 5EME S/S | GEAR PINION 5EME | PIÑÓN DE 5ª S/S |

Groupe carters / Crankcase assembly / Grupo carters



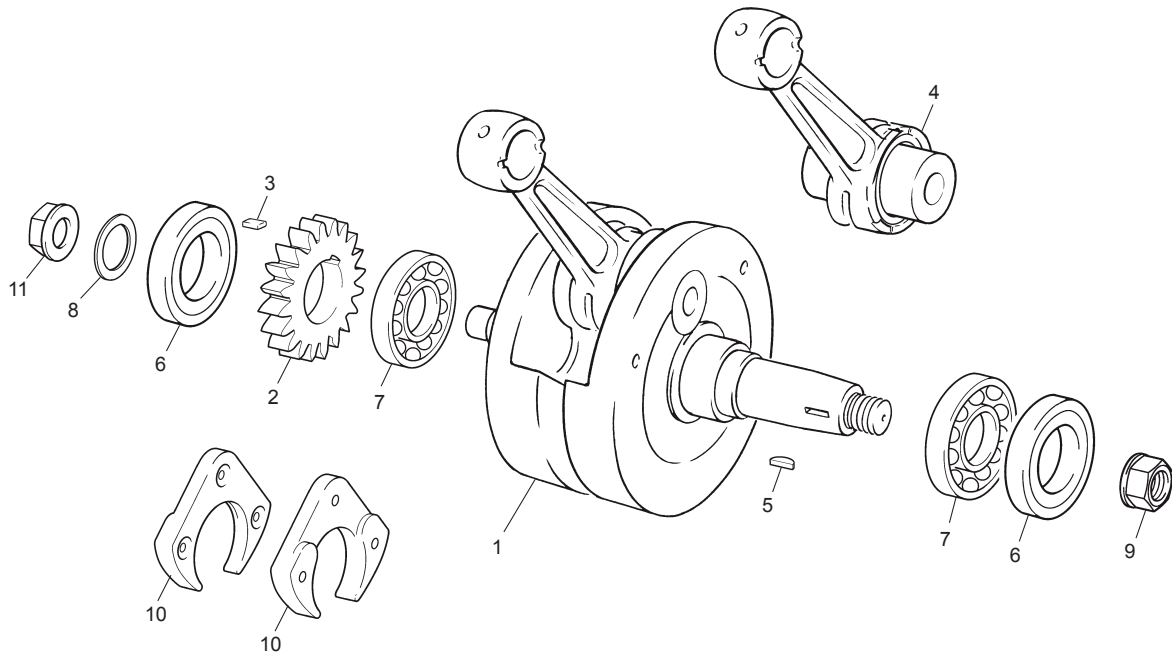
| POS. | 1.2 | 2.5 | 2.9 | FRANÇAIS | ENGLISH | ESPAÑOL |
|------|-------|-------|-------|------------------------------------|----------------------------------------|---------------------------------------|
| 1 | 3142 | 3142 | 3142 | CARTER ALLUMAGE TR 11 | IGNITION COVER TR 11 | TAPA ENCENDIDO TR 11 |
| 2 | 3146 | ----- | ----- | GP CARTERS CENTRAUX 125 TR 11 | CRANCKCASES SET 125 TR 11 | CARTERS CENTRALES 125 TR 11 |
| 2 | ----- | 3129 | ----- | GP CARTERS CENTRAUX 2.5/2.9 TR 11 | CRANCKCASES SET 2.5/2.9 TR 11 | CARTERS CENTRALES 2.5/2.9 TR 11 |
| 2 | ----- | ----- | 3129 | GP CARTERS CENTRAUX 2.5/2.9 TR 11 | CRANCKCASES SET 2.5/2.9 TR 11 | CARTERS CENTRALES 2.5/2.9 TR 11 |
| 3 | 3130 | 3130 | 3130 | CARTER LATéral DROITE TR 11 | BOTTOM CLUTCH COVER TR 11 | CARTER LATéral DERECHO TR 11 |
| 4 | 3131 | 3131 | 3131 | COUVERCLE EMBRAYAGE TR 11 | CLUTCH COVER TR 11 | TAPETA EMBRAGUE TR 11 |
| 5 | 3132 | 3132 | 3132 | COUVERCLE POMPE EAU TR 11 | WATER PUMP COVER TR 11 | TAPA BOMBA AGUA TR 11 |
| 6 | M016 | M016 | M016 | RENIFLAR CARTER CENTRAL | CRANKCASE BREATHER | TUBO DEPRESOR CARTERS |
| 7 | M021 | M021 | M021 | BOUCHON REMPLISSAGE HUILE | TRANSMISSION OIL FILLER CAP | TAPÓN LLENADO ACEITE CARTER |
| 8 | M022 | M022 | M022 | CARTER DOUILLE CENTRAGE CARTER | DOWEL PIN | CASQUILLO CENTRADOR |
| 9 | M363 | M363 | M363 | AXE POMPE A EAU | WATERPUMP SHAFT | EJE BOMBA AGUA |
| 10 | M351 | M351 | M351 | TURBINE DE POMPE A EAU | WATERPUMP IMPELLER | TURBINA BOMBA AGUA |
| 11 | 3133 | 3133 | 3133 | JOINT COUVERCLE POMPE EAU TR 11 | RING WATER PUMP COVER TR 11 | JUNTA TAPA BOMBA AGUA TR 11 |
| 12 | 3158 | 3158 | 3158 | JOINT CARTER ALUMAGE 160X2 TR 11 | O-RING IGNITION COVER 160X2 TR 11 | JUNTA TÓRICA TAPA ENCEND. 160X2 TR 11 |
| 13 | 3151 | ----- | ----- | JOINT CARTER CENT. 125/200CC 11 TR | CENTRAL CRANCK. GASKET 125/200CC 11 TR | JUNTA CARTER CENTRAL 125/200CC 11 TR |
| 13 | ----- | 3134 | 3134 | JOINT CARTER CENTRAL 250/290 TR 11 | CENTRAL CRANCK. GASKET 250/290 TR 11 | JUNTA CARTER CENTRAL 250/290 TR 11 |
| 14 | 3135 | 3135 | 3135 | JOINT CARTER LATéral TR 11 | CLUTCH GASKET TR 11 | JUNTA CARTER LATéral TR 11 |
| 15 | 3141 | 3141 | 3141 | JOINT TORIQUE 160X1.5 | O-RING 160X1.5 | JUNTA TORICA 160X1.5 |
| 16 | M162 | M162 | M162 | TORIQUE 10x2.5 BOUCHON HUILE | O-RING | JUNTA TÓRICA TAPÓN ACEITE |
| 17 | M017 | M017 | M017 | DURITE RENIFLAR 3X5 | CRANKCASE BREATHER PIPE | TUBO DEPRESOR 3X5 |
| 19 | 3128 | 3128 | 3128 | JOINT DOUBLE LEVRES 17X24X5 | OIL SEAL 17X24X5 | RÉTEN DOBLE LABIO 17X24X5 |
| 21 | M364 | M364 | M364 | PIGNON POMPE EAU | WATER PUMP PINON | PIÑÓN BOMBA AGUA |
| 22 | 0549 | 0549 | 0549 | VIS THEP 6X45 | SCREW THEP 6X45 | TORNILLO THEP 6X45 |
| 23 | 3235 | 3235 | 3235 | VIS THEP 6X50 | SCREW THEP 6X50 | TORNILLO THEP M6 X50 |
| 25 | 3269 | 3269 | 3269 | VIS CHC 5X20 | SCREW CHC 5X20 | TORNILLO 5X20 CHC |
| 26 | M291 | M291 | M291 | GOIJON DE CILYNDRE 8X46 | STUD CYLINDER 8X46 | ESPÁRRAGO CILINDRO 8X46 |
| 27 | 2386 | 2386 | 2386 | BOUCHON CANALISATION HUILE 6X8 | LUBRICATION CAP 6X8 | TAPA CANALIZACION 6X8 |
| 28 | M029 | M029 | M029 | ROULEMENT AGUILLE POMPE A EAU | WATER PUMP NEEDLE BEARING | COJ. AGUJAS BOMBA AGUA HK0808 |
| 29 | M030 | M030 | M030 | RONDILLE BUTEE POMPE A EAU 8X16X1 | WATERPUMP BUSH 8X16X1 | ARANDELA BOMBA AGUA 8X16X1 |
| 30 | M288 | M288 | M288 | VIS CHC 5X6 | SCREW CHC 5X6 | TORNILLO M5X6 CHC |
| 31 | M027 | M027 | M027 | ROULEMENT | BEARING | COJINETE BOMBA H ₂ O |
| 32 | M031 | M031 | M031 | JOINT | SEAL | RETÉN |
| 33 | 3143 | 3143 | 3143 | RACCORD DURITE CARTER RADIATEUR 11 | WATER CONEXION 11 | CONEC. TUBO AGUA CÁRTER A RADIA. 11 |
| 35 | M277 | M277 | M277 | RONDILLE Ø5 | WASHER Ø5 | ARANDELA Ø5 |

Groupe carters / Crankcase assembly / Grupo carters



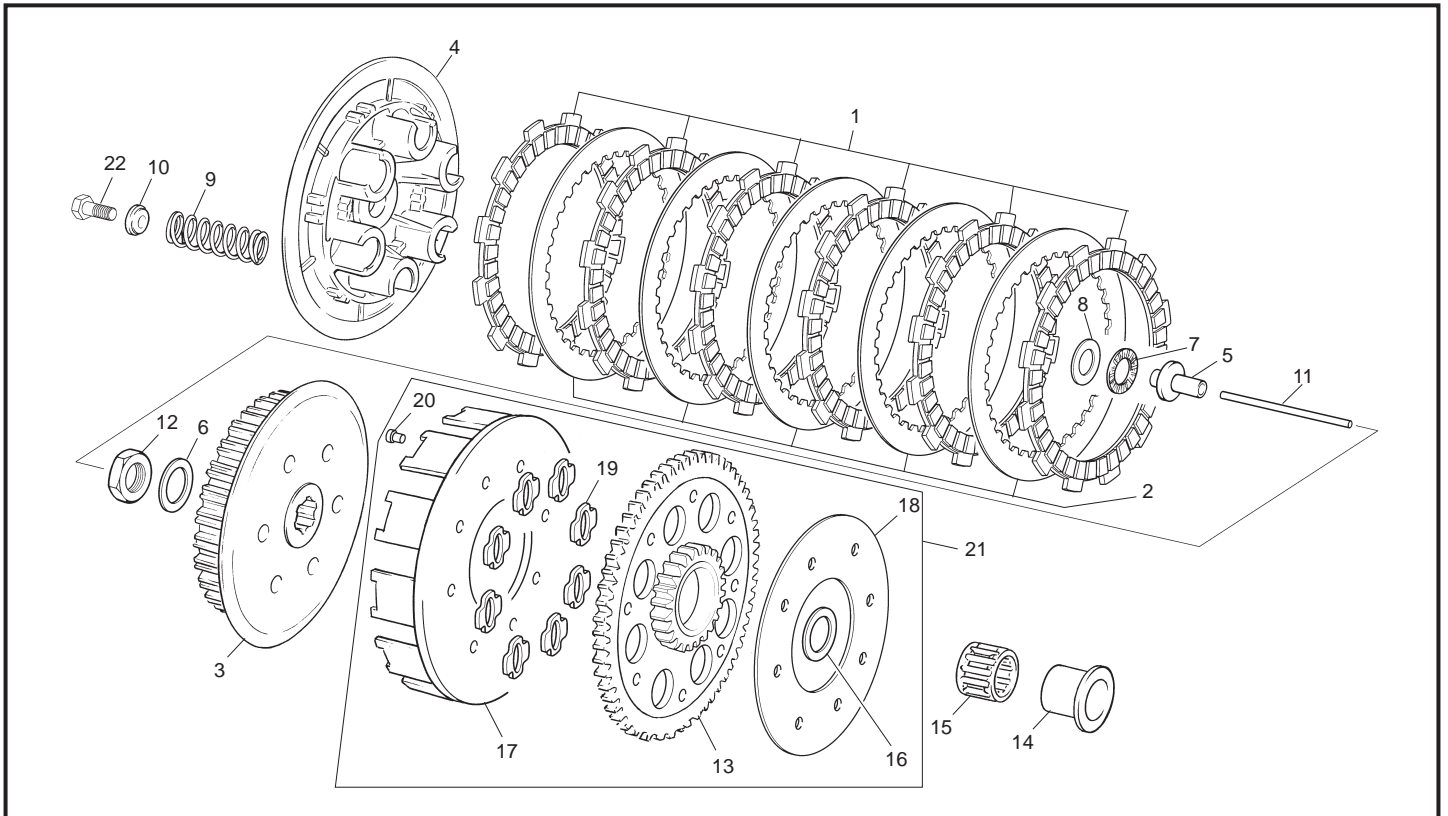
| POS. | 1.2 | 2.5 | 2.9 | FRANÇAIS | ENGLISH | ESPAÑOL |
|-----------|------|------|------|---------------|-----------------|--------------------|
| 36 | 0550 | 0550 | 0550 | VIS THEP 6X55 | SCREW THEP 6X55 | TORNILLO THEP 6X55 |
| 37 | M077 | M077 | M077 | VIS THEP 6X25 | SCREW THEP 6X25 | TORNILLO THEP 6X20 |
| 38 | M546 | M546 | M546 | VIS THEP 6X20 | SCREW THEP 6X20 | TORNILLO THEP 6X20 |

Villebrequin assemble / Crankshaft assembly / Cigüeñal biela



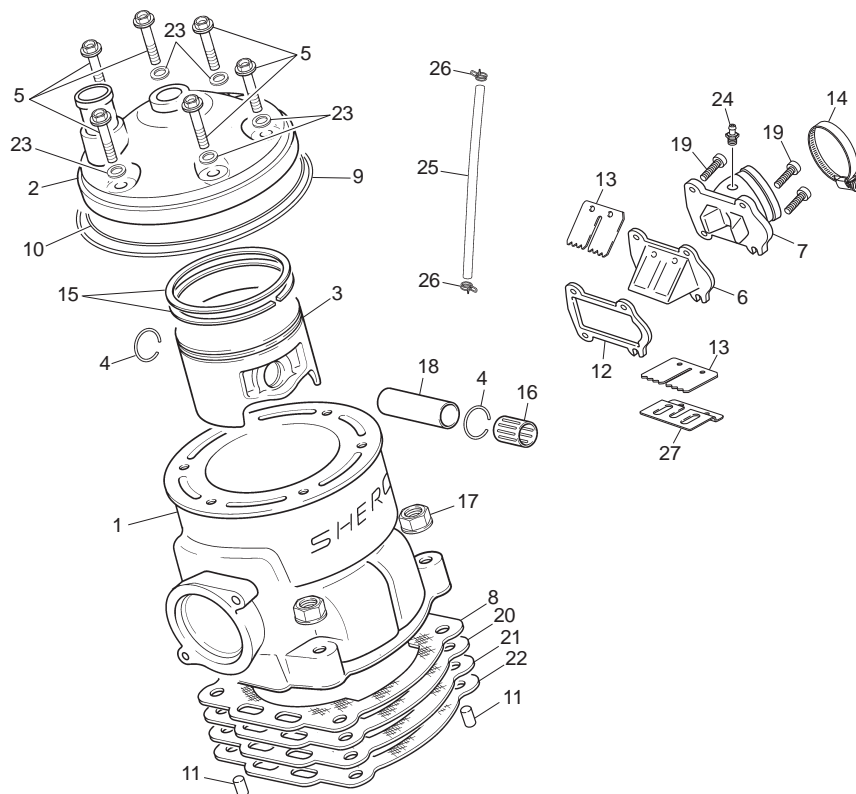
| POS. | 1.2 | 2.5 | 2.9 | FRANÇAIS | ENGLISH | ESPAÑOL |
|------|------|------|------|-------------------------------------|------------------------------|-----------------------------------|
| 1 | 3149 | ---- | ---- | VILEBREQUIN COMPLET 125/200CC 11 TR | CRANCK SHAFT 125/200CC 11 TR | CIGÜENAL COMPLETO 125/200CC 11 TR |
| 1 | ---- | 3152 | 3152 | VILEBREQUIN COMPLET 25/29 11 TR | CRANCKSHAFT 25/29 11 TR | CIGÜEÑAL 25/29 11 TR |
| 2 | M200 | M200 | M200 | PIGNON PRIMAIRE | PRIMARY DRIVE CRANK PINON | PIÑÓN PRIMARIO |
| 3 | M204 | M204 | M204 | CLAVETTE PIGNON PRIMAIRE | WOODRUFF KEY PRIMARY DRIVE | CHAVETA PIÑÓN PRIMARIA |
| 4 | R212 | R021 | R021 | KIT BIELLE | CRANKSHAFT REPAIR KIT | KIT BIELA |
| 5 | M023 | M023 | M023 | CLAVETTE VILO/DIST 19D | WOODRUFF KEY | CHAVETA 4X15 DIN 6885 FE |
| 6 | M032 | M032 | M032 | JOINT LEVRE VILO 25X40X7DL | CRANKSHAFT SEAL 25X40X7DL | RETÉN CIGÜEÑAL 25X40X7DL |
| 7 | M208 | M028 | M028 | ROULEMENT BILLE VILO 6206.TN9/C3 | CRANK. BEARING 6206.TN9/C3 | COJINETE CIGÜEÑAL 6206.TN9/C3 |
| 8 | M206 | M206 | M206 | RONDELLE BELLEVILLE 14,2X28X1,5 | SPRING WASHER | ARANDELA CÓNICA 14,2X28X1,5 |
| 9 | M295 | M295 | M295 | ECROU 14X125 | HEX. NUT M14X125 | TUERCA M14X125 |
| 10 | C309 | C309 | C309 | BOUCHON PASTIC VILO | CRANKSHAFT PLASTIC PLUY | TAPÓN INTERNO CIGÜEÑAL PLÁSTICO |
| 11 | 3144 | 3144 | 3144 | ECROU 14X125 TR11 | HEX. NUT M14X125 TR11 | TUERCA M14X125 TR11 |

Embrayage / Clutch / Embrague

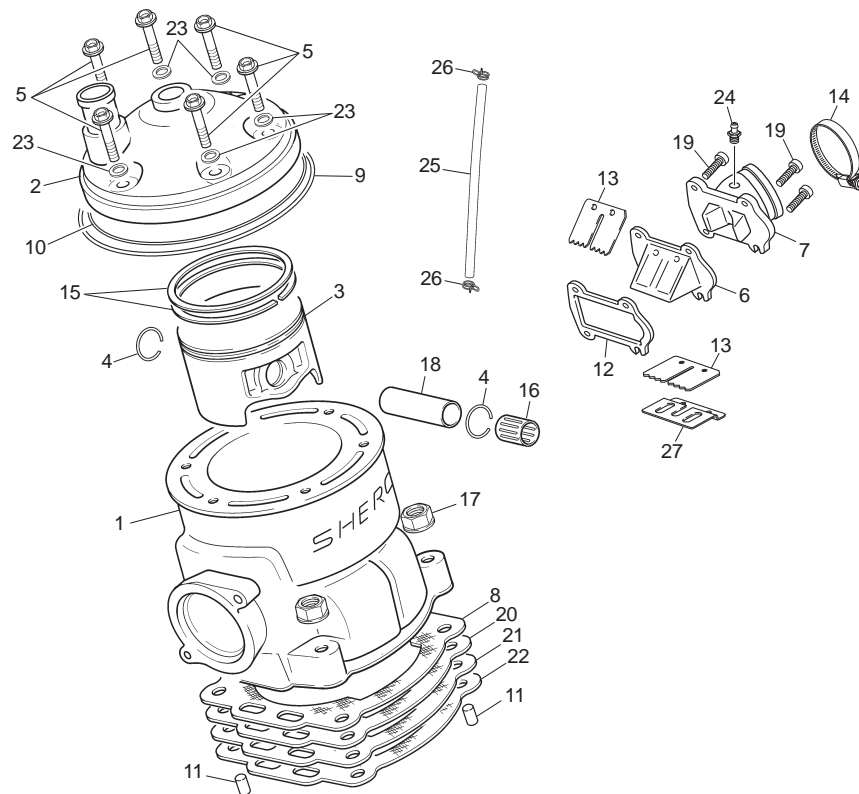


| POS. | 1.2 | 2.5 | 2.9 | FRANÇAIS | ENGLISH | ESPAÑOL |
|------|------|------|------|-----------------------------------|---------------------------------|------------------------------------|
| 1 | M080 | M080 | M080 | DISQUE GARNI | FRICTION CLUTCH DISK | DISCO EMBRAGUE FORRADO |
| 2 | M081 | M081 | M081 | DISQUE LISE | METAL CLUTCH DISK | DISCO EMBRAGUE METÁLICO |
| 3 | M083 | M083 | M083 | NOYAU | CLUTCH HUB | CUBO EMBRAGUE |
| 4 | M084 | M084 | M084 | PLATEAU | CLUTCH PRESSURE PLATE | PLATO EMBRAGUE |
| 5 | M085 | M085 | M085 | POUSSOIR AXIAL | CLUTCH ACTUATOR | PULSADOR AXIAL |
| 6 | M087 | M087 | M087 | RONDELLE BELLEVILLE 16,3X31,5X1,5 | BELLEVILLE WASHER 16,3X31,5X1,5 | ARANDELA FIJACIÓN 16,3X31,5X1,5 |
| 7 | M090 | M090 | M090 | BUTÉE AIGUILLE EMB AXK1226A | CLUTCH BEARING | CASQ. AGUJAS EMBRAGUE AXK1226A |
| 8 | M091 | M091 | M091 | RONDELLE BUTÉE AS 12X26X1 | THRUST WASHER 12X26X1 | ARANDELA AS 12X26X1 |
| 9 | M092 | M092 | M092 | RESSORT EMBRAYAGE | CLUTCH SPRING | MUELLE EMBRAGUE |
| 10 | M093 | M093 | M093 | RONDELLE EMBRAYAGE | CLUTCH SPRING WASHER | ARANDELA EMBRAGUE |
| 11 | M086 | M086 | M086 | TIGE EMBRAYAGE | PUSHROD | VARILLA EMBRAGUE |
| 12 | M293 | M293 | M293 | ECROU NOYAU EMB M16X125 | HEX NUT CLUTCH M16X125 | TUERCA CUBO EMBRAGUE |
| 13 | M201 | M201 | M201 | ROUE PRIMAIRE | PRIMARY DRIVE CLUTCH PINON | RUEDA PRIMARIA |
| 14 | M203 | M203 | M203 | DOUILLE ROUE PRIMAIRE | SPACER PRIMARY DRIVE | CASQUILLO RUEDA PRIMARIA |
| 15 | M205 | M205 | M205 | CAGE A AIGUILLE 25X33X24 | NEEDLE BEARING 25X33X24 | JAULA AGUJAS 25X33X24 |
| 16 | M208 | M208 | M208 | RONDELLE BUTÉE R PRIM INA AS 2035 | PRIMARY WASHER AS 2035 | ARANDELA TOPE PRIMARIA INA AS 2035 |
| 17 | M357 | M357 | M357 | HOLDER CLOCHE | CLUTCH BASKET | CAMPANA EMBRAGUE |
| 18 | M359 | M359 | M359 | RONDELLE | SHIM | PLATO REMACHES |
| 19 | M358 | M358 | M358 | SILENT BLOCK | SILENT BLOCK | SILENTBLOCK |
| 20 | M270 | M270 | M270 | RIVET 4X15 | RIVET 4X15 | REMACHE 4X15 |
| 21 | M360 | M360 | M360 | GROUPE CLOCHE | CLUTCH HUB BASKET ASSEMBLY | CONJUNTO CAMPANA |
| 22 | M094 | M094 | M094 | VIS RESSORT EMBRAYAGE | SCREW CLUTCH SPRING | TORNILLO MUELLE EMBRAGUE |

Cylindre / Cylinder / Cilindro

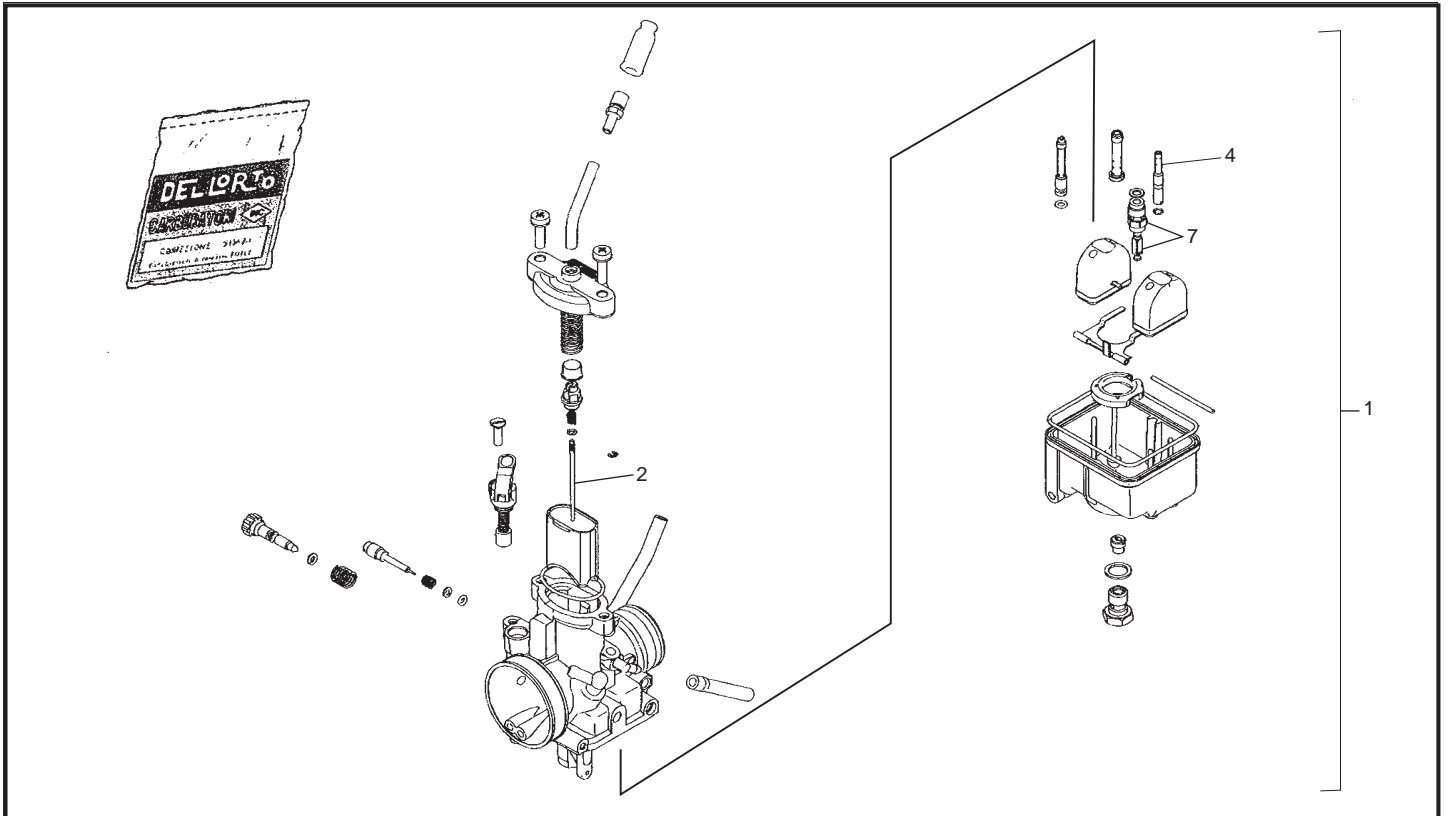


| POS. | 1.2 | 2.5 | 2.9 | 3.0 | FRANÇAIS | ENGLISH | ESPAÑOL |
|------|------|------|------|------|-----------------------------------|----------------------------------|---------------------------------|
| 1 | ---- | 3123 | ---- | ---- | CYLINDRE 250 TR 2011 | CILYNDER 250 TR 2011 | CILINDRO 250 TR 2011 |
| 1 | ---- | ---- | 3138 | ---- | CYLINDRE 290 TR 2011 | CILYNDER 290 TR 2011 | CILINDRO 290 TR 2011 |
| 1 | ---- | ---- | ---- | 3217 | CYLINDRE 300 TR 2011 | CILYNDER 300 TR 2011 | CILINDRO 300 TR 2011 |
| 1 | 3147 | ---- | ---- | ---- | CYLINDRE 125 TR 2011 | CILYNDER 125 TR 2011 | CILINDRO 125 TR 2011 |
| 2 | 3148 | ---- | ---- | ---- | CULASSE 1.2 TR 2011 | CYLINDER HEAD 1.2 TR 2011 | CULATA 1.2 TR 2011 |
| 2 | ---- | 3124 | ---- | ---- | CULASSE 2.5 TR 2011 | CYLINDER HEAD 2.5 TR 2011 | CULATA 2.5 TR 2011 |
| 2 | ---- | ---- | 3137 | ---- | CULASSE 2.9 TR 2011 | CYLINDER HEAD 2.9 TR 2011 | CULATA 2.9 TR 2011 |
| 2 | ---- | ---- | ---- | 3383 | CULASSE 3.0 TR 2011 | CYLINDER HEAD 3.0 TR 2011 | CULATA 3.0 TR 2011 |
| 3 | M212 | M009 | M245 | 3218 | PISTON CPL A | PISTON CPL A | PISTÓN COMP. A |
| 3 | M580 | M586 | M589 | 3339 | PISTON CPL B | PISTON CPL B | PISTÓN COMP. B |
| 3 | M581 | M587 | M590 | ---- | PISTON CPL C | PISTON CPL C | PISTÓN COMP. C |
| 3 | M582 | M588 | M591 | ---- | PISTON CPL D | PISTON CPL D | PISTÓN COMP. D |
| 4 | R218 | M013 | M013 | ---- | CIRCLIPS PISTON | PISTON CIRCLIP | SERCLIP PISTÓN |
| 5 | 0547 | 0547 | 0547 | ---- | VIS TH 6X30 | SCREW TH EP 6X30 | TORNILLO TH 6X30 |
| 6 | 3150 | ---- | ---- | ---- | BOITE CLAPET 80 -125 11 TR | REEDS CASE 80-125 11 TR | CAJA LAMINAS 80-125 11 TR |
| 6 | ---- | 3125 | 3125 | ---- | BOITE A CLAPETS VERTICAL 2011 | REEDS CASE VERTICAL 2011 | CAJA DE LAMINAS VERTICAL 2011 |
| 7 | 3154 | 3154 | ---- | ---- | PIPE ADMISSION 2011 CARB 26 | ADMISION PIPE 2011 CARB 26 | TOBERA ADMISION 2011 CARB 26 |
| 7 | ---- | ---- | 3126 | ---- | PIPE ADMISSION 2011 CARB 28 | ADMISION PIPE 2011 CARB 28 | TOBERA ADMISION 2011 CARB 28 |
| 8 | 3024 | 3025 | 3025 | 3025 | JOINT EMBASE CYLINDRE | CYLINDER GASKET | JUNTA CILINDRO |
| 9 | M038 | M038 | M038 | ---- | JOINT TORIQUE CULASSE VITON | CYLINDER HEAD O-RING | JUNTA TÓRICA CULATA EXTERIOR |
| 10 | 3399 | M039 | M039 | ---- | JOINT TORIQUE CULASSE VITON | CYLINDER HEAD O-RING | JUNTA TÓRICA CULATA INTERIOR |
| 11 | 0200 | 0200 | 0200 | ---- | AIGUILLES 4X9.8 NRB | NEEDL 4X9.8 NRB | AGUJA 4X9.8 NRB |
| 12 | 3136 | 3136 | 3136 | ---- | JOINT BOITE CLAPET TR11 | REEDCASE GASKET TR11 | JUNTA CAJA LAMINAS TR11 |
| 13 | R022 | R022 | R022 | ---- | CLAPET RECHANGE | REED VALVES | JUEGO LAMINAS |
| 14 | 3287 | 3287 | 3287 | ---- | COLLIER NORMA 32/50 | HOSE CLAMP | ABRAZADERA NORMA 32/50 |
| 15 | R213 | R442 | R215 | 3219 | SEGMENT RECTANGULAIRE - JEU | STANDARD SIZE PISTON RINGS - SET | ARO RECTANGULAR - JUEGO |
| 16 | M241 | M248 | M248 | ---- | CAGE AIGUILLE PISTON KBK/16X20X18 | NEEDLE BEARING KBK/16X20X18 | JAULA AGUJAS 16X20X18 |
| 17 | M272 | M272 | M272 | ---- | ECROU EMBASE X8 | COLLAR HEX NUT M8 | TUERCA M8 CON VALONA DIN 6923 B |
| 18 | R219 | R013 | R221 | ---- | AXE DE PISTON | PISTON PIN | BULÓN PISTÓN |
| 19 | 3269 | 3269 | 3269 | ---- | VIS CHC 5X20 | SCREW CHC 5X20 | TORNILLO M5X20 CHC |
| 20 | 3186 | 3189 | 3189 | 3189 | JOINT EMBASE CYLINDRE 0,20 | CYLINDER GASKET 0,20 | JUNTA CILINDRO 0,20 |
| 21 | 3187 | 3190 | 3190 | 3190 | JOINT EMBASE CYLINDRE 0,30 | CYLINDER GASKET 0,30 | JUNTA CILINDRO 0,30 |
| 22 | 3188 | 3191 | 3191 | 3191 | JOINT EMBASE CYLINDRE 0,40 | CYLINDER GASKET 0,40 | JUNTA CILINDRO 0,40 |
| 23 | 2390 | 2390 | 2390 | ---- | RONDELLE CUIVRE 6 X 12 X 1.5 | WASHER COPPER 6 X 12 X 1.5 | ARANDELA COBRE 6 X 12 X 1.5 |

Cylindre / Cylinder / Cilindro


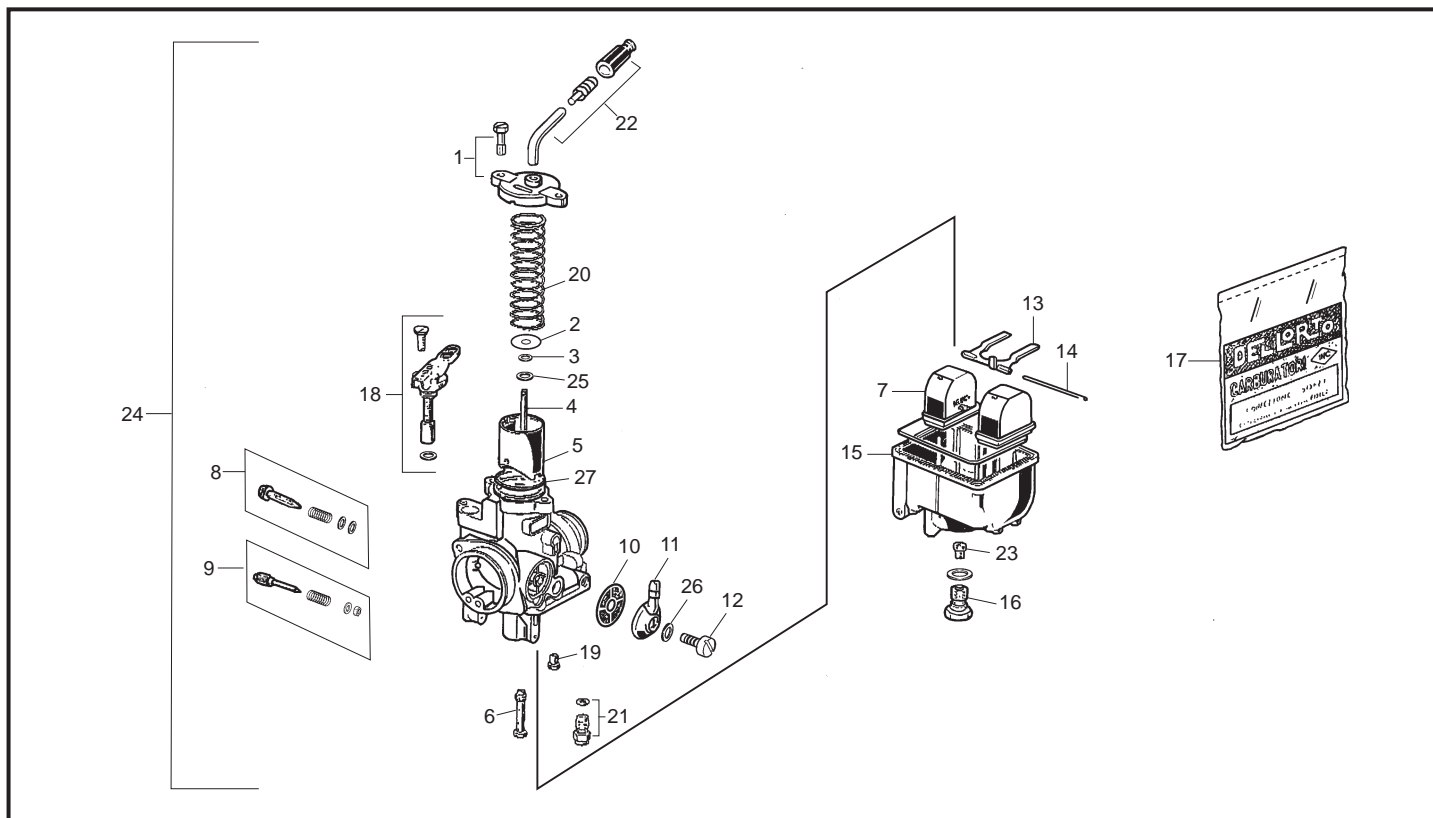
| POS. | 1.2 | 2.5 | 2.9 | 3.0 | FRANÇAIS | ENGLISH | ESPAÑOL |
|-----------|------|------|------|------|-------------------------------|--------------------------------|------------------------------------|
| 24 | 2868 | ---- | ---- | ---- | RACCORD PIPE ADMISION 1.25 | CONEXION PIPE ADMISION 1.25 | RACORD TOBERA CAJA LAMINAS 1.25 |
| 24 | ---- | 2859 | 2859 | ---- | RACCORD PIPE ADMISION 2.5/2.9 | CONEXION PIPE ADMISION 2.5/2.9 | RACORD TOBERA CAJA LAMINAS 2.5/2.9 |
| 25 | C043 | C043 | C043 | ---- | DURITE BOUCHON ESSENCE | PETROL TUBE | TUBO TAPON GASOLINA |
| 26 | 2846 | 2846 | 2846 | ---- | COLLIERE DURITE ESSENCE | COLLARD NORMA 32/50 | ABRAZADERA TUBO GASOLINA |
| 27 | 3994 | 3994 | 3994 | ---- | TOPE CLAPETS RECHANGE | SUPPORT REED VALVES | TOPE LAMINAS |

Carburateur / Carburetor / Carburador Ø28



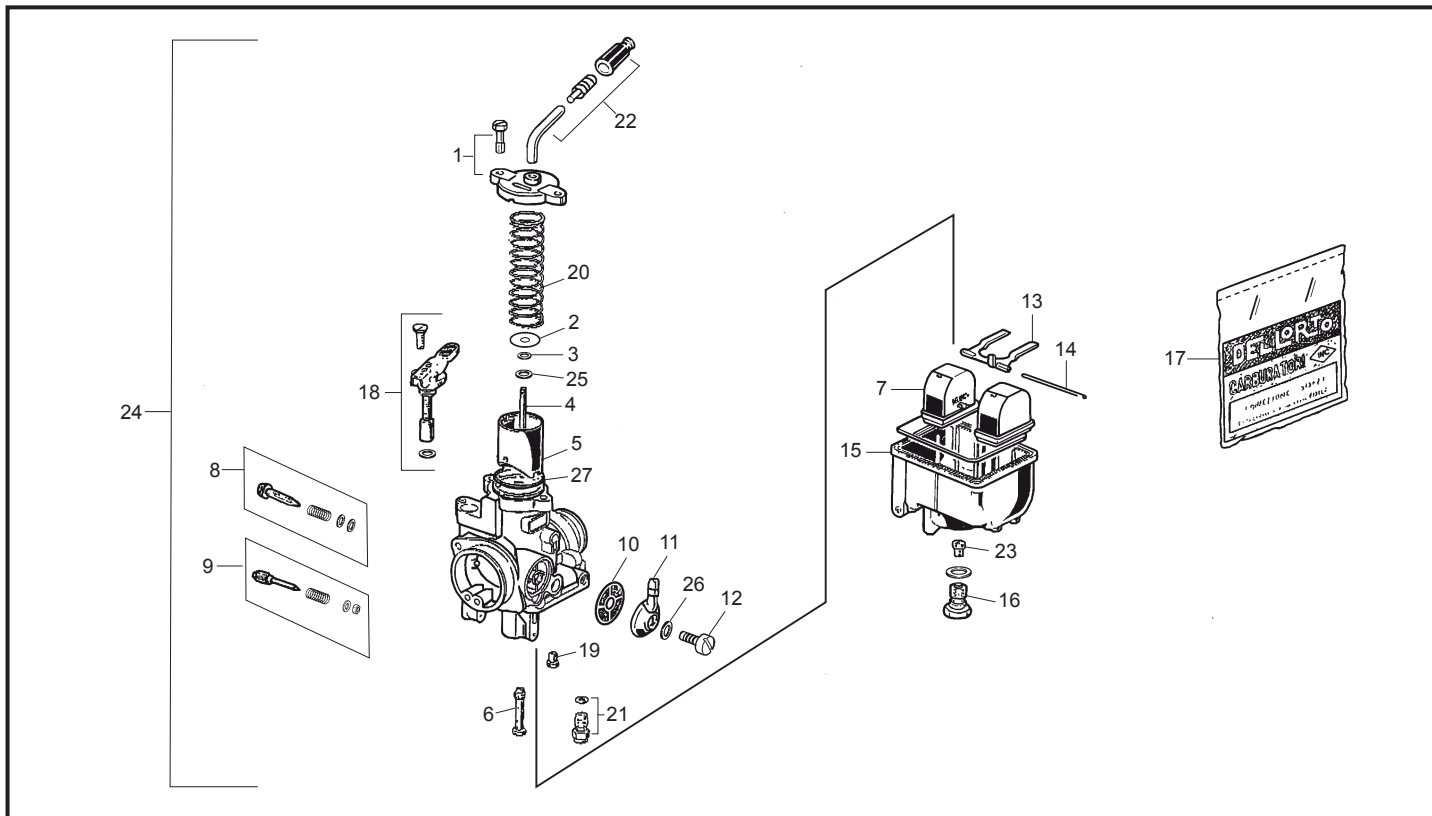
| POS. | 1.2 | 2.5 | 2.9 | FRANÇAIS | ENGLISH | ESPAÑOL |
|------|------|------|------|-----------------------------|-----------------------------|-----------------------------|
| 1 | ---- | 2971 | 2971 | CARBURATEUR COMPLET VHCT28B | CARBURETOR COMPLETE VHCT28B | CARBURADOR COMPLETO VHCT28B |
| 2 | ---- | 3534 | 3534 | AIGUILLE CARBU D50 | AIGUILLE CARBU D50 | AGUJA CARBU. D50 |
| 4 | ---- | R499 | R499 | GICLEUR RALENTI 36 VHCT | PILOT JET 36 VHCT | CHICLE RALENTÍ 36 VHCT |
| 4 | ---- | R500 | R500 | GICLEUR RALENTI 34 VHCT | PILOT JET 34 VHCT | CHICLE RALENTÍ 34 VHCT |
| 7 | ---- | 3535 | 3535 | POINTEAU CARBU. 270 | POINTEAU CARBU 270 | VALVULA AGUJA 270 |

Carburateur / Carburetor / Carburador Ø26



| POS. | 1.2 | 2.5 | 2.9 | FRANÇAIS | ENGLISH | ESPAÑOL |
|------|------|------|------|-------------------------------------|----------------------------|---------------------------------------|
| 1 | R369 | R369 | ---- | KIT COUVERCLE BOISSEAU | CARBURETOR COVER | TAPA CARBURADOR |
| 2 | R370 | R370 | ---- | PLATINE DE RESSORT CARBU | WASHER STOP | ARANDELA TOPE AGUJA |
| 3 | R371 | R371 | ---- | CLIP AIGUILLE CARBU | NEEDLE CLIP | CLIP AGUJA |
| 4 | R372 | R372 | ---- | AIGUILLE CARBU | NEEDLE | AGUJA |
| 5 | R373 | R373 | ---- | BOISSEAU | SLIDE | CAMPANA |
| 6 | R374 | R374 | ---- | PULVERISATEUR CARBU | SPRAYER | PULVERIZADOR |
| 7 | R375 | R375 | ---- | FLOTEUR DE CARBU | FLOAT | BOYA |
| 8 | R376 | R376 | ---- | KIT VIS RGUL GAS CARBU | IDLE SCREW | TORNILLO RELENTÍ |
| 9 | R377 | R377 | ---- | KIT VIS RGUL ESSENCE CARBU | FUEL SCREW | TORNILLO AIRE |
| 10 | R378 | R378 | ---- | FILTRE ESS CARBU | FUEL FILTER | FILTRO GASOLINA |
| 11 | R379 | R379 | ---- | PIPETTE RECCORD TUBE ESS | FUEL FILTER COVER | PIPETA TUBO GASOLINA |
| 12 | R380 | R380 | ---- | VIS PIPETTE CARBU | SCREW | TORNILLO PIPETA |
| 13 | R381 | R381 | ---- | BALANCIER DE FLOTEUR CARBU | FLOAT BOWL LEVER | BALANCÍN |
| 14 | R382 | R382 | ---- | AXE BALANCIER FLOTEUR CARBU | SHAFT | EJE BALANCÍN |
| 15 | R383 | R383 | ---- | CUVE CARBURATEUR | FLOAT | CUBA CARBURADOR |
| 16 | R384 | R384 | ---- | VIS FIXATION CUVE | SCREW | TORNILLO FIJACIÓN CUBA |
| 17 | R385 | R385 | ---- | KIT JOINT CARBURATEUR | GASKET SET | KIT JUNTAS |
| 18 | R147 | R147 | ---- | GROUPE STARTER | COLD STARTER ASSEMBLY | LEVA STARTER |
| 19 | ---- | R140 | ---- | GICLEUR RALENTI 30 SERIE 2,5/2,9 | PILOT JET 30 SERIE 2.5/2.9 | PULVERIZADOR RALENTI 30 SERIE 2,5/2,9 |
| 19 | R142 | R142 | ---- | GICLEUR RALENTI 32 | PILOT JET 32 | PULVERIZADOR RALENTÍ 32 |
| 19 | R143 | R143 | ---- | GICLEUR RALENTI 33 | PILOT JET 33 | PULVERIZADOR RALENTÍ 33 |
| 19 | R144 | R144 | ---- | GICLEUR RALENTI 34 | PILOT JET 34 | PULVERIZADOR RALENTÍ 34 |
| 19 | R145 | R145 | ---- | GICLEUR RALENTI 35 | PILOT JET 35 | PULVERIZADOR RALENTÍ 35 |
| 19 | R146 | R146 | ---- | GICLEUR RALENTI 36 | PILOT JET 36 | PULVERIZADOR RALENTÍ 36 |
| 19 | R148 | ---- | ---- | GICLEUR RALENTI 40 SERIE 1.2 | PILOT JET 40 SERIE 1.2 | PULVERIZADOR RALENTI 40 SERIE 1.2 |
| 20 | M044 | M044 | ---- | RESSORT CARBURATEUR | SPRING CARBURETOR | MUELLE CARBURADOR |
| 21 | 2389 | 2389 | ---- | POINTEAU CARBU 200 | POINTEAU CARBU 200 | VÁLVULA AGUJA 200 |
| 22 | R237 | R237 | ---- | GUIDE CARBURATEUR | CARBURETOR GUIDE | CURVA GUÍA CARBURADOR |
| 23 | R120 | R120 | ---- | GICLEUR PRINCIPAL 120 | MAIN JET 120 | PULVERIZADOR PRINCIPAL 120 |
| 23 | R121 | R121 | ---- | GICLEUR PRINCIPAL 121 | MAIN JET 121 | PULVERIZADOR PRINCIPAL 121 |
| 23 | ---- | R122 | ---- | GICLEUR PRINCIPAL 122 SERIE 2.5/2.9 | MAIN JET 122 SERIE 2.5/2.9 | PULVERIZADOR PRINCIPAL SERIE 2,5/2,9 |
| 23 | R123 | R123 | ---- | GICLEUR PRINCIPAL 123 | MAIN JET 123 | PULVERIZADOR PRINCIPAL 123 |
| 23 | R124 | R124 | ---- | GICLEUR PRINCIPAL 124 | MAIN JET 124 | PULVERIZADOR PRINCIPAL 124 |
| 23 | R125 | R125 | ---- | GICLEUR PRINCIPAL 125 | MAIN JET 125 | PULVERIZADOR PRINCIPAL 125 |

Carburateur / Carburetor / Carburador Ø26



| POS. | 1.2 | 2.5 | 2.9 | FRANÇAIS | ENGLISH | ESPAÑOL |
|------|------|------|------|----------------------------|-------------------------|------------------------------|
| 23 | R126 | R126 | ---- | GICLEUR PRINCIPAL 126 | MAIN JET 126 | PULVERIZADOR PRINCIPAL 126 |
| 23 | R127 | R127 | ---- | GICLEUR PRINCIPAL 127 | MAIN JET 127 | PULVERIZADOR PRINCIPAL 127 |
| 23 | R128 | R128 | ---- | GICLEUR PRINCIPAL 128 | MAIN JET 128 | PULVERIZADOR PRINCIPAL 128 |
| 23 | R129 | R129 | ---- | GICLEUR PRINCIPAL 129 | MAIN JET 129 | PULVERIZADOR PRINCIPAL 129 |
| 23 | R130 | R130 | ---- | GICLEUR PRINCIPAL 130 | MAIN JET 130 | PULVERIZADOR PRINCIPAL 130 |
| 23 | R170 | R170 | ---- | GICLEUR PRINCIPAL 115 | MAIN JET 115 | PULVERIZADOR PRINCIPAL 115 |
| 24 | M020 | M020 | ---- | CARBURATEUR COMPLET | CARBURETOR COMPLETE | CARBURADOR COMPLETO |
| 25 | 1251 | 1251 | ---- | RONDELLE AGUILLE 0,05 | WASHER PLAIN 0,05 | ARANDELA AGUJA 0,05 |
| 26 | 4000 | 4000 | ---- | RONDELLE PAPIER 6 X 10 X 1 | WASHER PAPER 6 X 10 X 1 | ARANDELA PAPEL 6 X 10 X 1 |
| 27 | 4006 | 4006 | ---- | RONDELLE PAPIER 6 X 10 X 1 | O-RING 27.5X31.5X2 NBR | JUNTA TORICA 27.5X31.5X2 NBR |



created by: www.clandisseny.com

PLAY WITH GRAVITY

SHERCO

www.sherco.com

MINERVA OIL

2011
SHERCO
Motorcycles